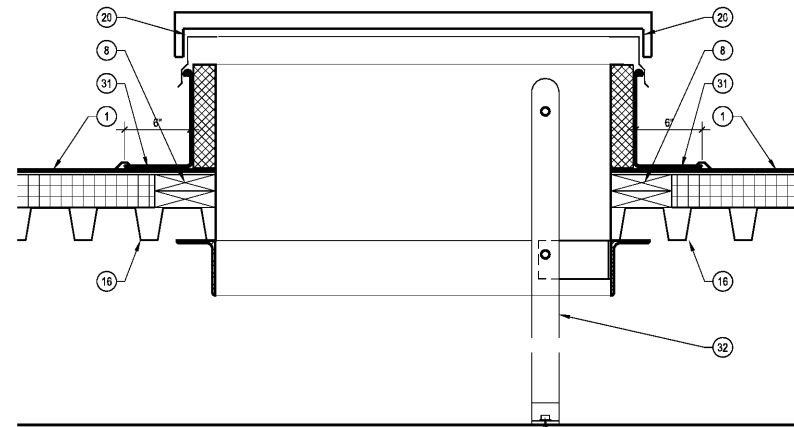
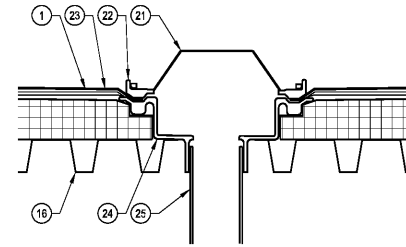


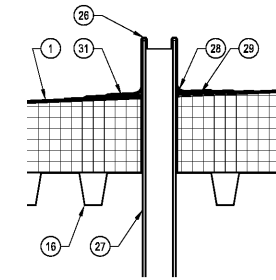
1 SOFFIT & FASCIA DETAIL
SCALE: 1-1/2" = 1'-0"



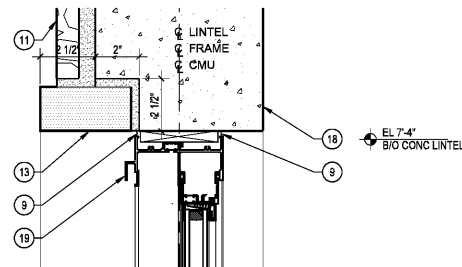
2 ROOF HATCH CURB DETAIL
SCALE: 1-1/2" = 1'-0"



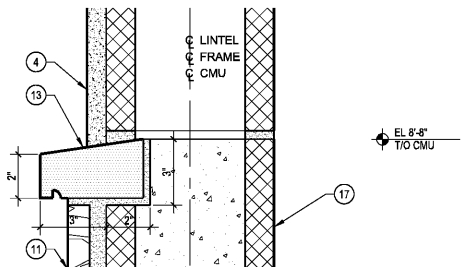
3 ROOF DRAIN DETAIL
SCALE: 1-1/2" = 1'-0"



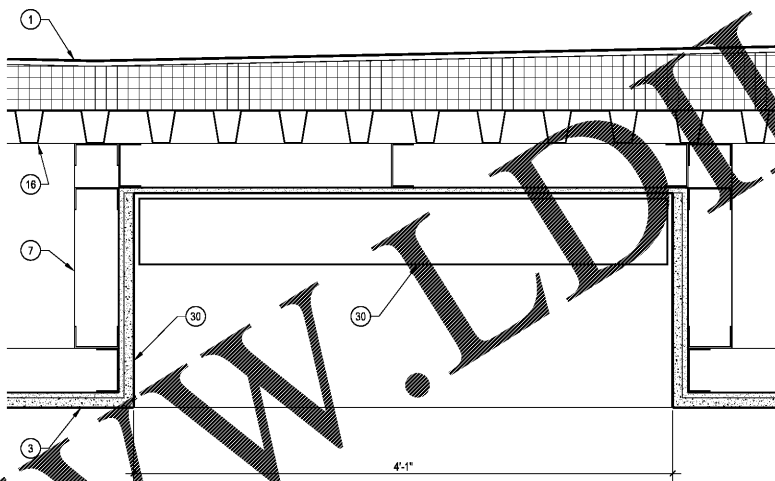
4 ROOF VENT DETAIL
SCALE: 1-1/2" = 1'-0"



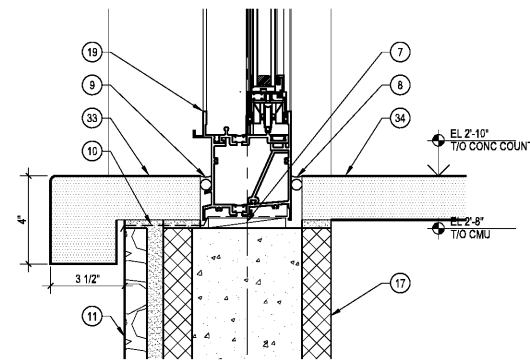
5 SLIDING WINDOW HEAD DETAIL
SCALE: 3" = 1'-0"



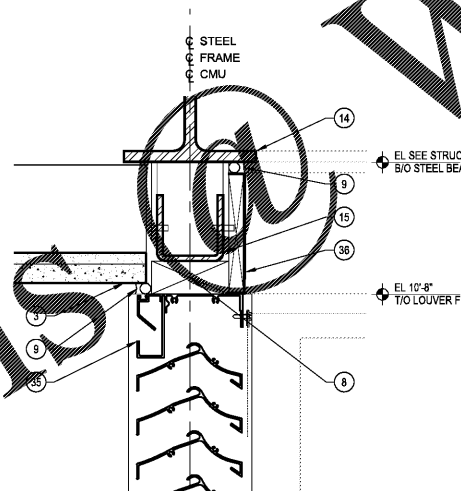
8 STONE CAP DETAIL
SCALE: 3" = 1'-0"



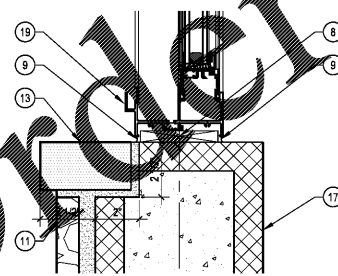
11 SOFFIT LIGHT WELL
SCALE: 3" = 1'-0"



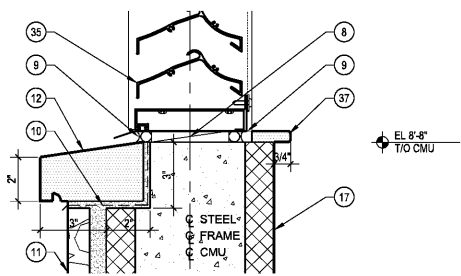
6 SLIDING WINDOW SILL DETAIL
SCALE: 3" = 1'-0"



9 LOUVER HEAD DETAIL
SCALE: 3" = 1'-0"



7 SLIDING WINDOW JAMB DETAIL
SCALE: 3" = 1'-0"



10 LOUVER SILL DETAIL
SCALE: 3" = 1'-0"

SPECIFIC NOTES

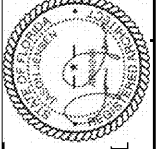
- 1 ROOFING SYSTEM
- 2 PREFINISHED METAL FASCIA & CLEAT
- 3 STUCCO ON GLASS MAT SHEATHING, PAINT FINISH.
- 4 STUCCO ON CONC MASONRY, PAINT FINISH.
- 5 STUCCO CORNER KEY, FRY REGLET PCM-75-75.
- 6 CONT VENT / DRIP
- 7 METAL FRAMING, SEE STRUCT.
- 8 PT WOOD BLOCKING/NAILER
- 9 CONT SEALANT & BACKER ROD
- 10 STAINLESS STEEL SILL FLASHING & WEEP HOLES
- 11 STONE VENEER ON CONC MASONRY
- 12 HONED STONE SILL, MATCH STONE VENEER TYPE & COLOR.
- 13 HONED STONE TRIM, MATCH STONE VENEER TYPE & COLOR.
- 14 STEEL BEAM, SEE STRUCT.
- 15 ADJUSTABLE STEEL BENT PLATE HANGER, SEE STRUCT.
- 16 STEEL ROOF DECK, SEE STRUCT.
- 17 CONC MASONRY ASSEMBLY, SEE STRUCT. PAINT EXPOSED SURFACES.
- 18 CONC LINTEL, SEE STRUCT. PAINT EXPOSED SURFACES.
- 19 ALUM SLIDING WINDOW, SEE SHEET AB8.1.
- 20 ROOF SCUTTLE, 36 X 30".
- 21 ROOF DRAIN STRAINER
- 22 CLAMPING RING
- 23 METAL ROOF DRAIN FLASHING, 30 X 30".
- 24 DRAIN BOWL
- 25 DRAIN PIPE
- 26 VENT FLASHING ROLLED INTO PIPE 1-INCH.
- 27 VENT STACK, SEE PLUMB.
- 28 ROOF CEMENT @ MEMBRANE PENETRATION
- 29 FLANGE SET IN ROOF CEMENT
- 30 48-INCH-DIA LIGHTING FIXTURE, SEE ELEC.
- 31 BASE FLASHING
- 32 STEEL LADDER
- 33 POLISHED CONCRETE APRON
- 34 POLISHED CONCRETE COUNTER
- 35 ALUM LOUVER
- 36 ALUM BRAKE METAL ON BACKER BOARD, MATCH LOUVER FINISH.
- 37 CERAMIC TILE SILL

+NOTES

A ALUM SLIDING WINDOW ASSEMBLY, BASIS-OF-DESIGN PRODUCT, SERIES TR-6800 MANUFACTURED BY TRACO WINDOWS AND DOORS, INC. SEE SPEC.

Kimley-Horn
2201 West Royal Lane, Suite 275, Irving, Texas 75063
PH: 972.440.0000
FLORIDA REGISTERED ENGINEERING FIRM #94
FLORIDA REGISTERED LANDSCAPE ARCHITECTURE FIRM LC-C000219
© 2017 KIMLEY-HORN AND ASSOCIATES, INC.

Jason Jensen
2017.12.15
16:14:18
-05'00"



**BUTLER PARK
AQUATIC CENTER
CITY OF NORTHPORT, FL**

**BATHHOUSE BUILDING
DETAILS**

Scale: AS SHOWN
Designed by: CD
Drawn by: CD
Checked by: JJ
Date: DECEMBER 2017
Project No. 48285014

SHEET
AB8.2