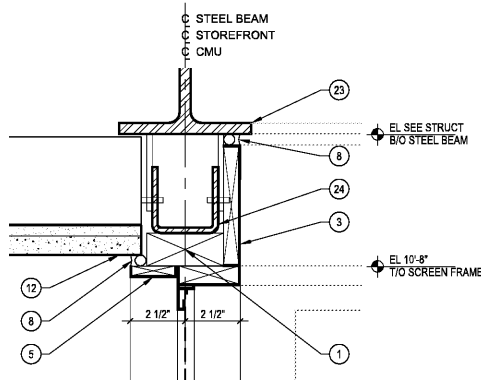
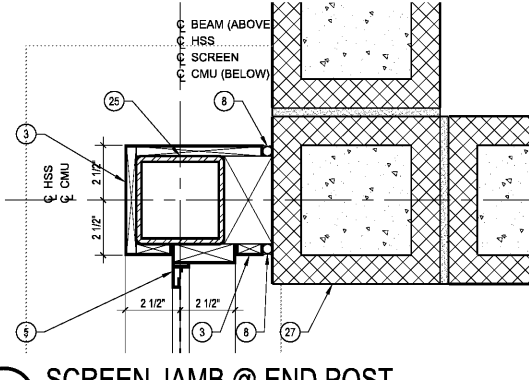


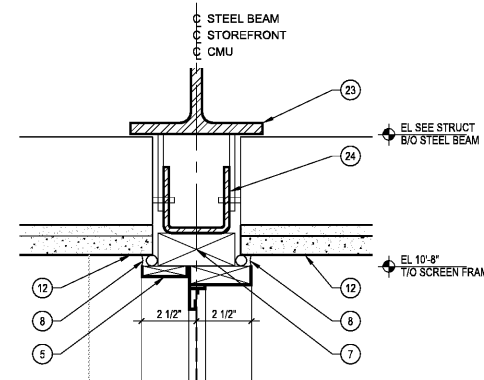
1 STOREFRONT HEAD
SCALE: 3" = 1'-0"



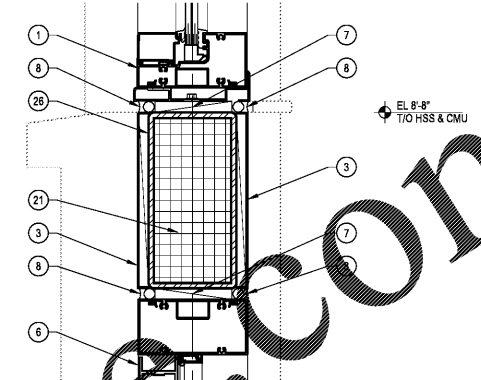
6 SCREEN HEAD
SCALE: 3" = 1'-0"



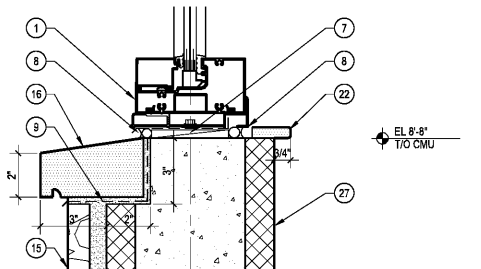
11 SCREEN JAMB @ END POST
SCALE: 3" = 1'-0"



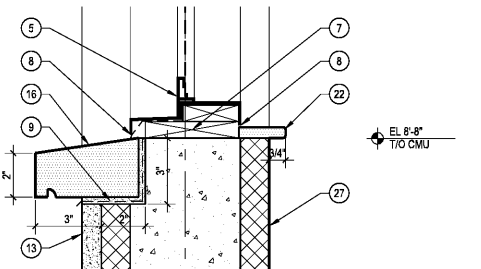
16 SCREEN HEAD @ BREEZEWAY
SCALE: 3" = 1'-0"



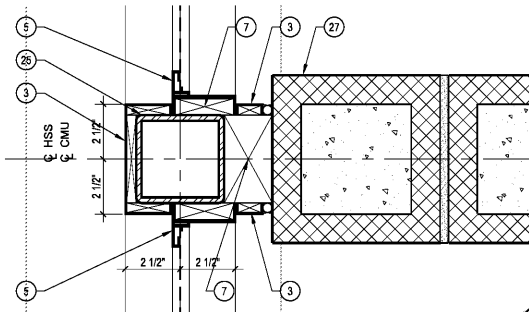
17 STOREFRONT DOOR HEAD
SCALE: 3" = 1'-0"



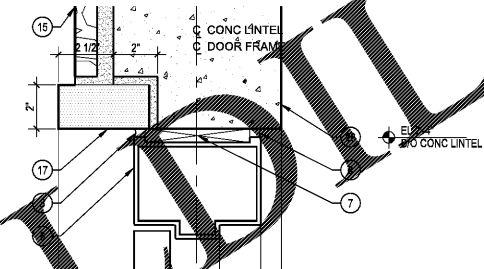
2 STOREFRONT SILL @ CLERESTORY
SCALE: 3" = 1'-0"



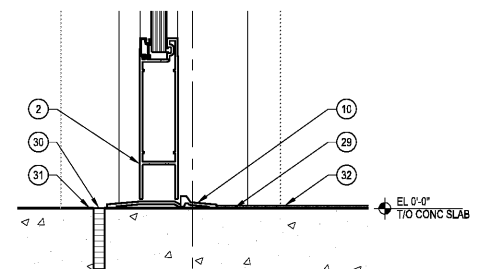
7 SCREEN SILL
SCALE: 3" = 1'-0"



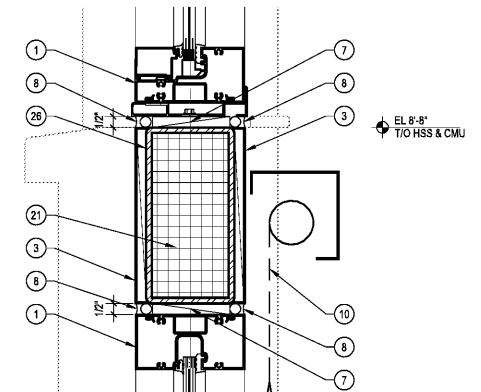
12 SCREEN JAMB @ WALL POST
SCALE: 3" = 1'-0"



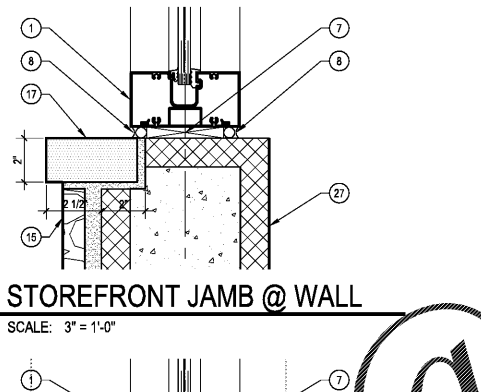
17 FRP DOOR HEAD @ STONE VENEER
SCALE: 3" = 1'-0"



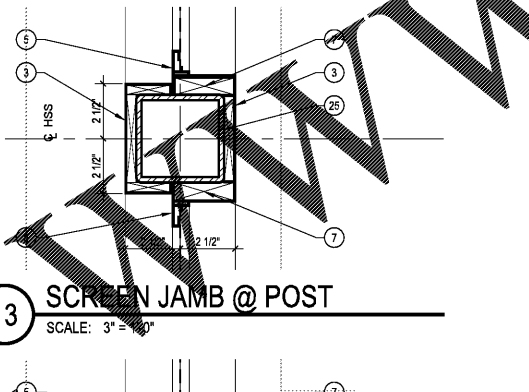
22 STOREFRONT DOOR THRESHOLD
SCALE: 3" = 1'-0"



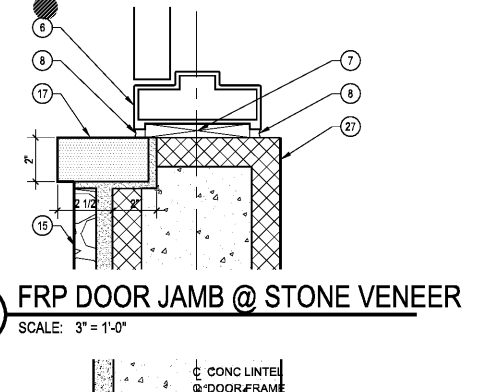
3 STOREFRONT RAIL
SCALE: 3" = 1'-0"



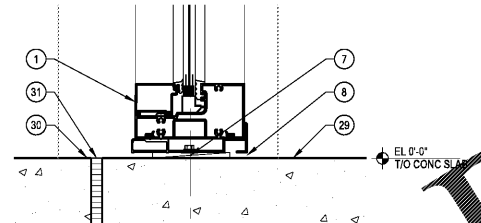
8 STOREFRONT JAMB @ WALL
SCALE: 3" = 1'-0"



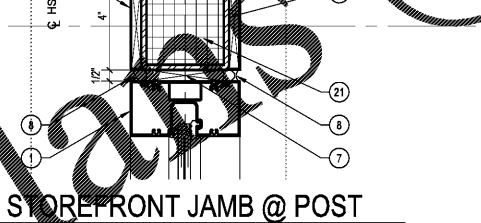
13 SCREEN JAMB @ POST
SCALE: 3" = 1'-0"



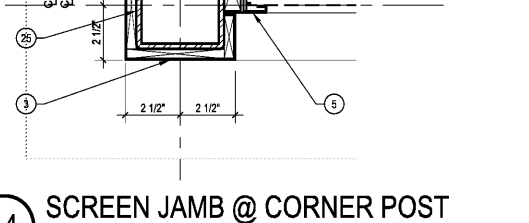
18 FRP DOOR JAMB @ STONE VENEER
SCALE: 3" = 1'-0"



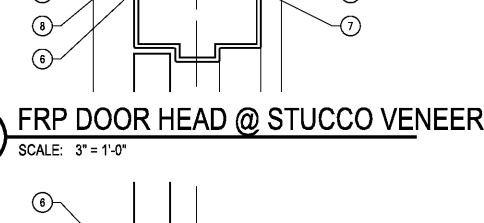
4 STOREFRONT SILL @ SLAB
SCALE: 3" = 1'-0"



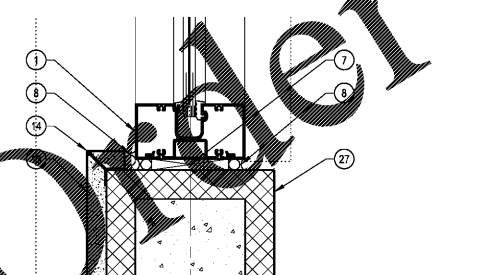
9 STOREFRONT JAMB @ POST
SCALE: 3" = 1'-0"



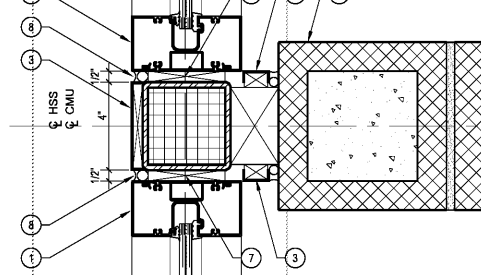
14 SCREEN JAMB @ CORNER POST
SCALE: 3" = 1'-0"



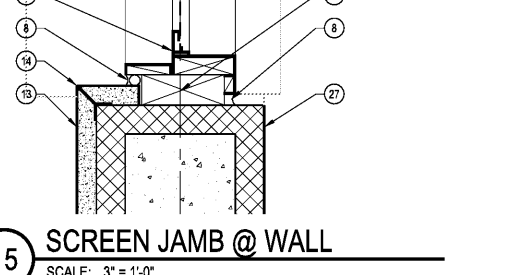
19 FRP DOOR HEAD @ STUCCO VENEER
SCALE: 3" = 1'-0"



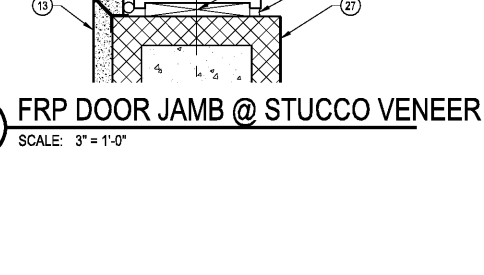
5 STOREFRONT JAMB @ CLERESTORY
SCALE: 3" = 1'-0"



10 STOREFRONT JAMB @ WALL POST
SCALE: 3" = 1'-0"



15 SCREEN JAMB @ WALL
SCALE: 3" = 1'-0"



20 FRP DOOR JAMB @ STUCCO VENEER
SCALE: 3" = 1'-0"

SPECIFIC NOTES

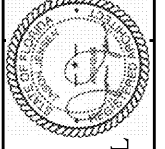
- 1 ALUM STOREFRONT FRAME & GLAZING. SEE +NOTE A BELOW.
- 2 ALUM STOREFRONT DOOR. SEE SPEC.
- 3 ALUM BRAKE METAL ON BACKER BOARD. MATCH STOREFRONT FRAME FINISH.
- 4 ADA COMPLIANT STAINLESS STEEL THRESHOLD ON CONT MASTIC BED.
- 5 STAINLESS STEEL SCREEN ASSEMBLY. SEE +NOTE C BELOW.
- 6 FRP DOOR & FRAME ASSEMBLY. SEE +NOTE B BELOW.
- 7 CONT PT WOOD BLOCKING OR SHIM.
- 8 CONT SEALANT & BACKER ROD.
- 9 STAINLESS STEEL SILL FLASHING & WEEP HOLES.
- 10 ROLLER SHADE. SEE SPEC.
- 11 GYP BD. PAINT FINISH.
- 12 STUCCO ON GLASS MAT SHEATHING. PAINT FINISH.
- 13 STUCCO ON CONC MASONRY. PAINT FINISH.
- 14 STUCCO CORNER KEY. FRY REGLET PCM-75-75.
- 15 STONE VENEER ON CONC MASONRY. SEE SPEC.
- 16 HONED STONE SILL. MATCH STONE VENEER TYPE & COLOR.
- 17 HONED STONE TRIM. MATCH STONE VENEER TYPE & COLOR.
- 18 PRECAST POLISHED CONC APRON.
- 19 PRECAST POLISHED CONC COUNTERTOP.
- 20 CONT BOARD THERMAL INSULATION.
- 21 INJECTED FOAM THERMAL INSULATION.
- 22 PORCELAIN TILE SILL.
- 23 STEEL BEAM. SEE STRUCT.
- 24 CONT BENT STEEL PLATE WITH ADJUSTABLE HANGERS. SEE STRUCT.
- 25 HSS POST. SEE STRUCT.
- 26 HSS BEAM. SEE STRUCT.
- 27 CONC MASONRY ASSEMBLY. SEE STRUCT. PAINT EXPOSED SURFACES.
- 28 CONC LINTEL. SEE STRUCT. PAINT EXPOSED SURFACES.
- 29 CONC FLOOR SLAB. SEE STRUCT.
- 30 CONC DECK. SEE CIVIL.
- 31 1/2-INCH PREMOLDED JOINT FILLER. SEE STRUCT.
- 32 FINISH FLOORING MATERIAL WHERE OCCURRING. SEE SHEET AB1.3.

+NOTES

- A. ALUM STOREFRONT FRAME AND GLAZING ASSEMBLY. BASIS-OF-DESIGN PRODUCT: SERIES IR-500 MANUFACTURED BY THE KAWNEER COMPANY, INC. SEE SPEC.
- B. FRP DOOR AND FRAME ASSEMBLY. BASIS-OF-DESIGN PRODUCT: FIBERGLASS FULL LOUVER DOOR MANUFACTURED BY THE CHEM-PRUF DOOR COMPANY.
- C. STAINLESS STEEL SCREEN ASSEMBLY. BASIS-OF-DESIGN PRODUCT: PATIO ENCLOSURE SCREEN IN ALUM FRAME MANUFACTURED BY CRIMSAFE NORTH AMERICA. SCREEN: 304-HIGH TENSILE STAINLESS STEEL. GRADE MESH WITH 0.035 INCH STRANDS AT 9.5 STRANDS PER SQUARE INCH. ATTACH MESH TO ALUM FRAME BY A REMOVABLE ALUM CLAMP WITH TAMPER RESISTANT SECURITY HEAD SCREWS.

Kimley-Horn
2201 West Royal Lane, Suite 275, Irving, Texas 75063
PH: 972.440.8900
FLORIDA REGISTERED ENGINEERING FIRM NO. 894
FLORIDA REGISTERED LANDSCAPE ARCHITECTURE FIRM LC-C000219
© 2017 KIMLEY-HORN AND ASSOCIATES, INC.

Jason Jensen
2017.12.15
16:13:34
-05'00"



BUTLER PARK AQUATIC CENTER
CITY OF NORTHPORT, FL

BATHHOUSE BUILDING DETAILS

Scale: AS SHOWN
Designed by: CD
Drawn by: CD
Checked by: JJ
Date: DECEMBER 2017
Project No. 4828501.4

SHEET
AB8.1