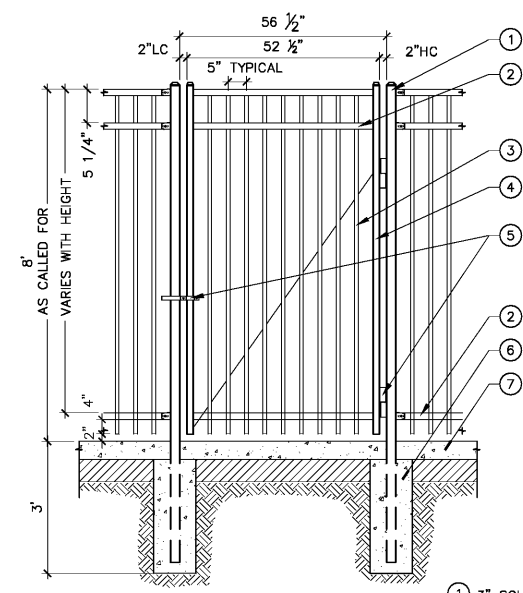


4' APPROXIMATELY 408 LF
8' APPROXIMATELY 819 LF

- ① 3" SQUARE X 12 GAUGE POST
- ② 1 3/4" RAIL
- ③ 1" SQUARE X 14 GAUGE PICKET
- ④ 12" DIAMETER CONCRETE BASE (3,000 PSI CONCRETE)
- ⑤ ADJACENT CONCRETE SLAB TO GO OVER FOOTING
- ⑥ FINISHED GRADE TO COVER FOOTING WHEN FENCE IS IN LANDSCAPED AREA

NOTES:
1. SUBMIT SHOP DRAWINGS AND MATERIALS TO ARCHITECT/ENGINEER. COLOR TO BLACK.
2. A 4" SPHERE SHALL NOT PASS BETWEEN PICKETS.
3. PROVIDE LATCH AT 54" ABOVE DECK AS REQUIRED BY FLORIDA CODE.
4. FENCING SHALL BE MONTAGE PLUS (3" PICKET) COMMERCIAL FLAT TOP, 3 RAIL 4" OR 8" HT. AS PROVIDED BY AMERISTAR (TULSA, OK) OR APPROVED EQUAL.

1 4' OR 8' TUBULAR FENCE DETAIL
SCALE: 1/2" = 1'-0"

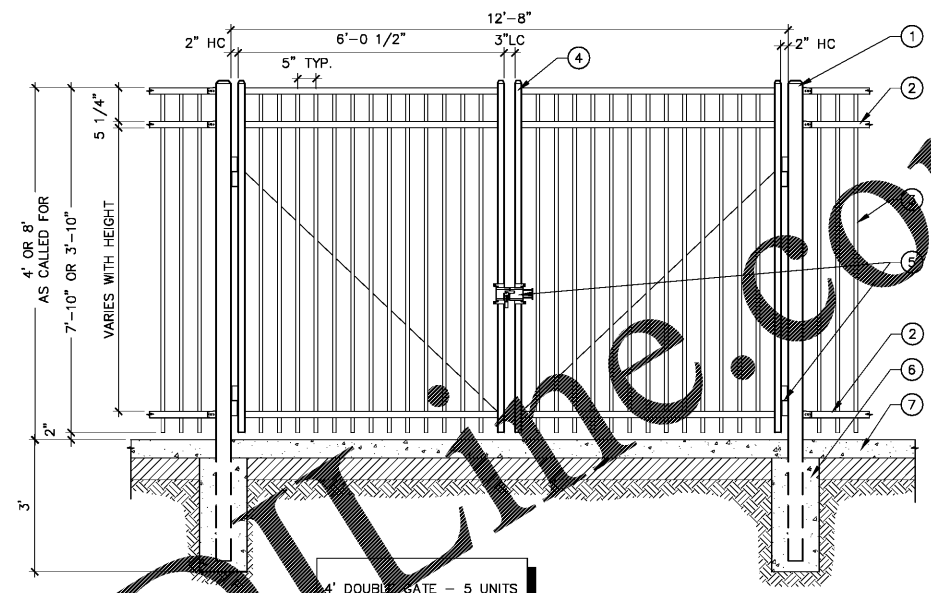


8' SINGLE GATE - 1 UNIT

- ① 3" SQUARE X 12 GAUGE POST
- ② 1 3/4" RAIL
- ③ 1" SQUARE X 14 GAUGE PICKET
- ④ GATE END-1 3/4" SQUARE X 14 GAUGE
- ⑤ GATE HARDWARE: SINGLE GATE LATCH HB517 HINGE
- ⑥ 12" DIAMETER CONCRETE FOOTING (3,000 PSI CONCRETE)
- ⑦ ADJACENT PAVING

NOTES:
1. SUBMIT SHOP DRAWINGS AND MATERIALS TO ARCHITECT/ENGINEER. COLOR TO BLACK.
2. A 4" SPHERE SHALL NOT PASS BETWEEN PICKETS.
3. PROVIDE LATCH AT 54" ABOVE DECK AS REQUIRED BY FLORIDA CODE.
4. FENCING SHALL BE MONTAGE PLUS (3" PICKET) COMMERCIAL FLAT TOP, 3 RAIL 4" OR 8" HT. AS PROVIDED BY AMERISTAR (TULSA, OK) OR APPROVED EQUAL.

2 8' TUBULAR FENCE SINGLE GATE DETAIL
SCALE: 1/2" = 1'-0"

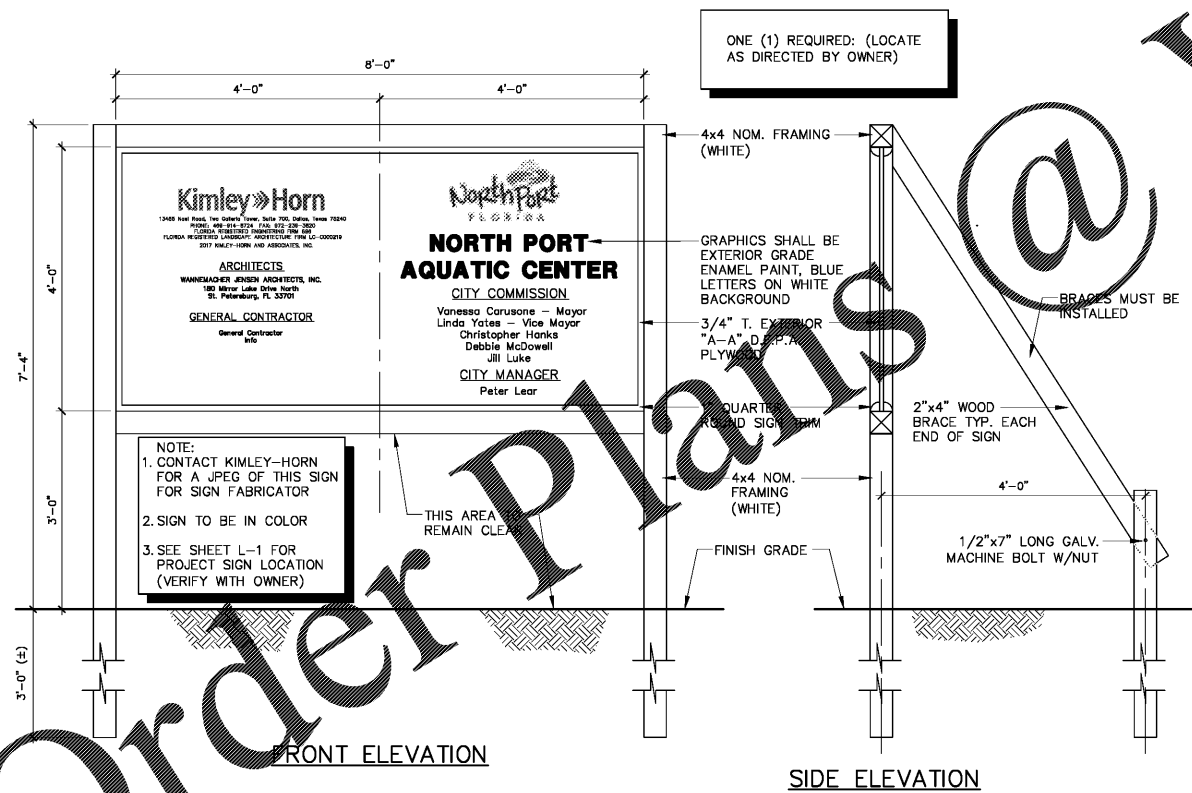


4' DOUBLE GATE - 5 UNITS
DOUBLE GATE - 2 UNITS

- ① 4" SQUARE X 11 GAUGE POST
- ② 1 3/4" RAIL
- ③ 1" SQUARE X 14 GAUGE PICKET
- ④ GATE END-1 3/4" SQUARE X 14 GAUGE
- ⑤ GATE HARDWARE: IFBDD DOUBLE GATE LATCH HB517 HINGE
- ⑥ 12" DIAMETER CONCRETE FOOTING (3,000 PSI CONCRETE)
- ⑦ ADJACENT PAVING

NOTES:
1. SUBMIT SHOP DRAWINGS AND MATERIALS TO ARCHITECT/ENGINEER. COLOR TO BLACK.
2. A 4" SPHERE SHALL NOT PASS BETWEEN PICKETS.
3. PROVIDE LATCH AT 54" ABOVE DECK AS REQUIRED BY FLORIDA CODE.
4. FENCING SHALL BE MONTAGE PLUS (3" PICKET) COMMERCIAL FLAT TOP, 3 RAIL 4" OR 8" HT. AS PROVIDED BY AMERISTAR (TULSA, OK) OR APPROVED EQUAL.

3 4' OR 8' TUBULAR FENCE DOUBLE GATE DETAIL
SCALE: 1/2" = 1'-0"



ONE (1) REQUIRED: (LOCATE AS DIRECTED BY OWNER)

NOTE:
1. CONTACT KIMLEY-HORN FOR A JPEG OF THIS SIGN FOR SIGN FABRICATOR
2. SIGN TO BE IN COLOR
3. SEE SHEET L-1 FOR PROJECT SIGN LOCATION (VERIFY WITH OWNER)

GRAPHICS SHALL BE EXTERIOR GRADE ENAMEL PAINT, BLUE LETTERS ON WHITE BACKGROUND
3/4" T. EXTERIOR "A-A" D.E.P. PLYWOOD
QUARTER ROUND SIGN TRIM
4x4 NOM. FRAMING (WHITE)
FINISH GRADE

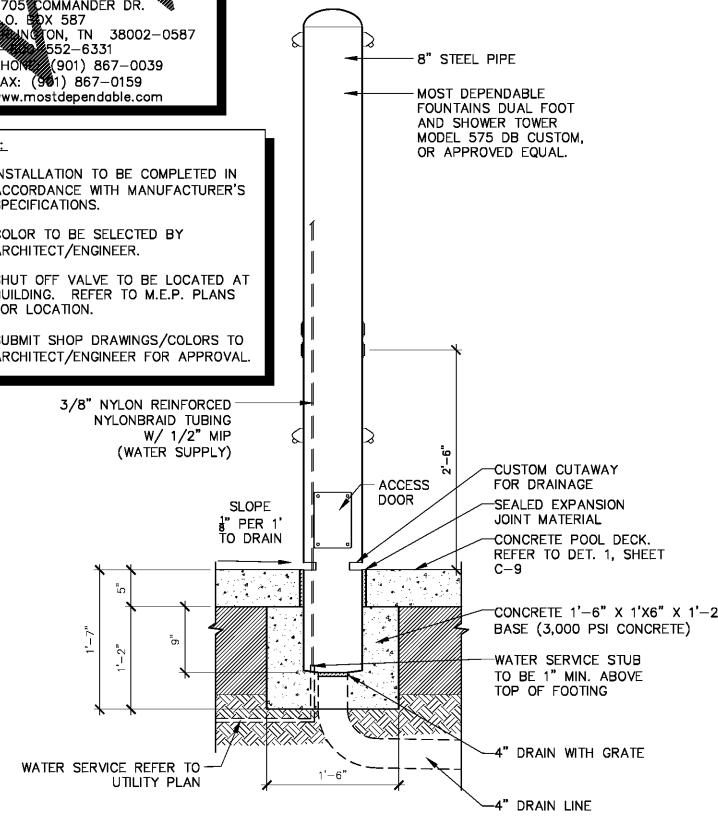
BRACES MUST BE INSTALLED

2"x4" WOOD BRACE TYP. EACH END OF SIGN
1/2"x7" LONG GALV. MACHINE BOLT W/NUT

4 PROJECT SIGN DETAIL
SCALE: 3/4" = 1'-0"

CONTACT:
MOST DEPENDABLE FOUNTAINS
5705 COMMANDER DR.
P.O. BOX 587
FRANKLIN, TN 38002-0587
PHONE: (901) 552-6331
PHONE: (901) 867-0039
FAX: (901) 867-0159
www.mostdependable.com

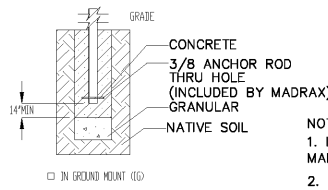
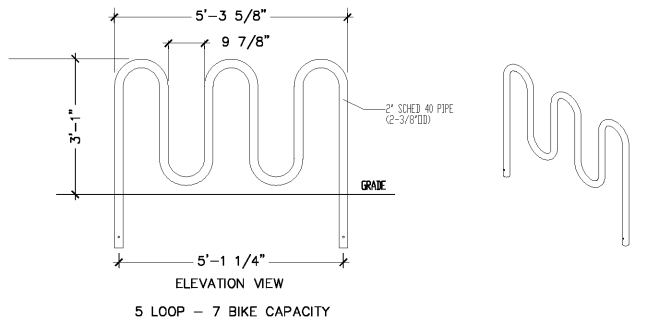
NOTES:
1. INSTALLATION TO BE COMPLETED IN ACCORDANCE WITH MANUFACTURER'S SPECIFICATIONS.
2. COLOR TO BE SELECTED BY ARCHITECT/ENGINEER.
3. SHUT OFF VALVE TO BE LOCATED AT BUILDING. REFER TO M.E.P. PLANS FOR LOCATION.
4. SUBMIT SHOP DRAWINGS/COLORS TO ARCHITECT/ENGINEER FOR APPROVAL.



5 DECK SHOWER (PROVIDE 2)
SCALE: 1" = 1'-0"

CONTACT:
MADRAX DIVISION
1080 UNIEK DRIVE
WAUNAKEE, WI 53597
PHONE: (800) 448-7931
FAX: (608) 849-1081
WWW.MADRAX.COM
EMAIL: SALES@MADRAX.COM

BICYCLE RACK TO BE PROVIDED BY MADRAX, PRODUCT NUMBER H36-7-IG-G, OR APPROVED EQUAL



NOTES:
1. INSTALL BIKE RACKS ACCORDING TO MANUFACTURER'S SPECIFICATIONS.
2. CONSULTANT TO SELECT COLOR(FINISH), SEE MANUFACTURER'S SPECIFICATIONS.
3. SEE SITE PLAN FOR LOCATION OR CONSULT OWNER.

6 BICYCLE RACK (PROVIDE 4)
SCALE: N.T.S.

Kimley-Horn
2201 West Royal Lane, Suite 215, Irving, Texas 75063
PHONE: 214-420-5600 FAX: 214-420-5680
WWW.KIMLEY-HORN.COM
FLORIDA REGISTERED PROFESSIONAL ARCHITECTURE FIRM L.C.-0000219
2017 KIMLEY-HORN AND ASSOCIATES, INC.

PETER T. VAN BUSKICK
STATE OF FLORIDA
REGISTERED PROFESSIONAL ARCHITECT
LICENSE NO. 38899
THIS ITEM HAS BEEN
ELECTRONICALLY
SIGNED AND SEALED BY PETER
T. VAN BUSKICK, P.E.
ON 02/23/2019
AUTHENTICATION CODE:

**BUTLER PARK
AQUATIC CENTER
CITY OF NORTH PORT, FL**

SITE DETAILS - 3

Scale: AS SHOWN
Designed by: MCH
Drawn by: KWS
Checked by: DP
Date: DECEMBER 2017
Project No. 48285014

SHEET
C-11