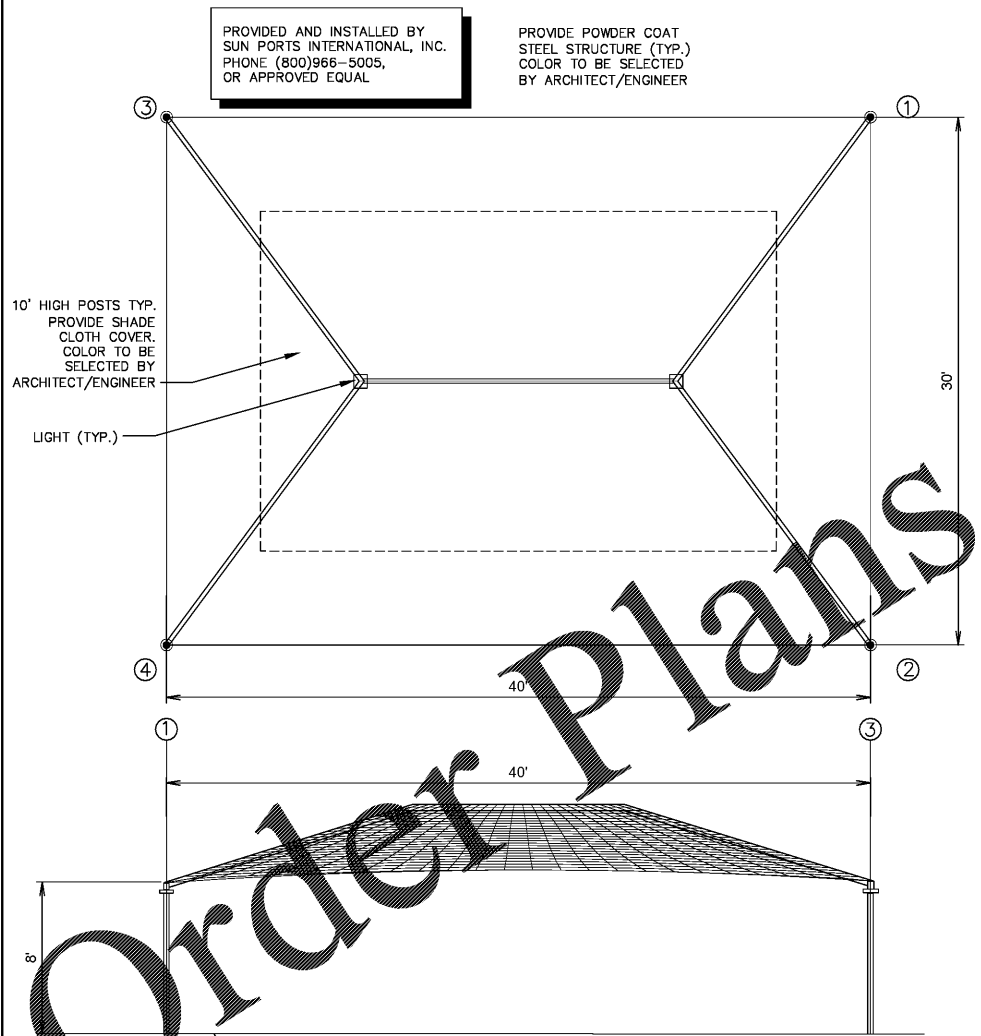
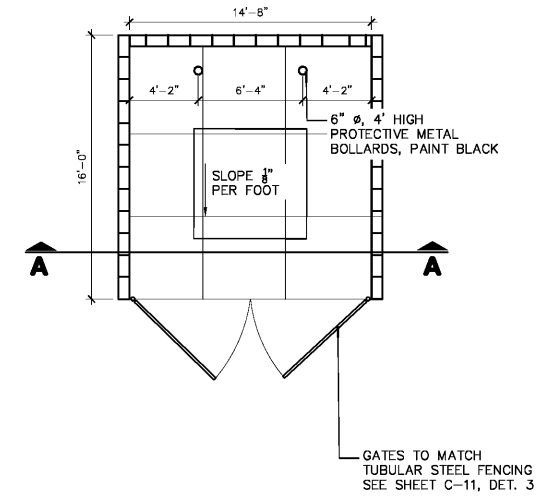


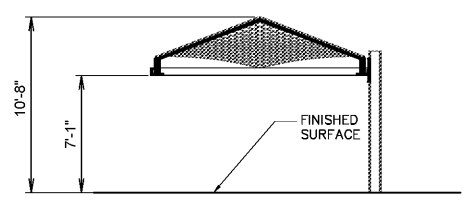
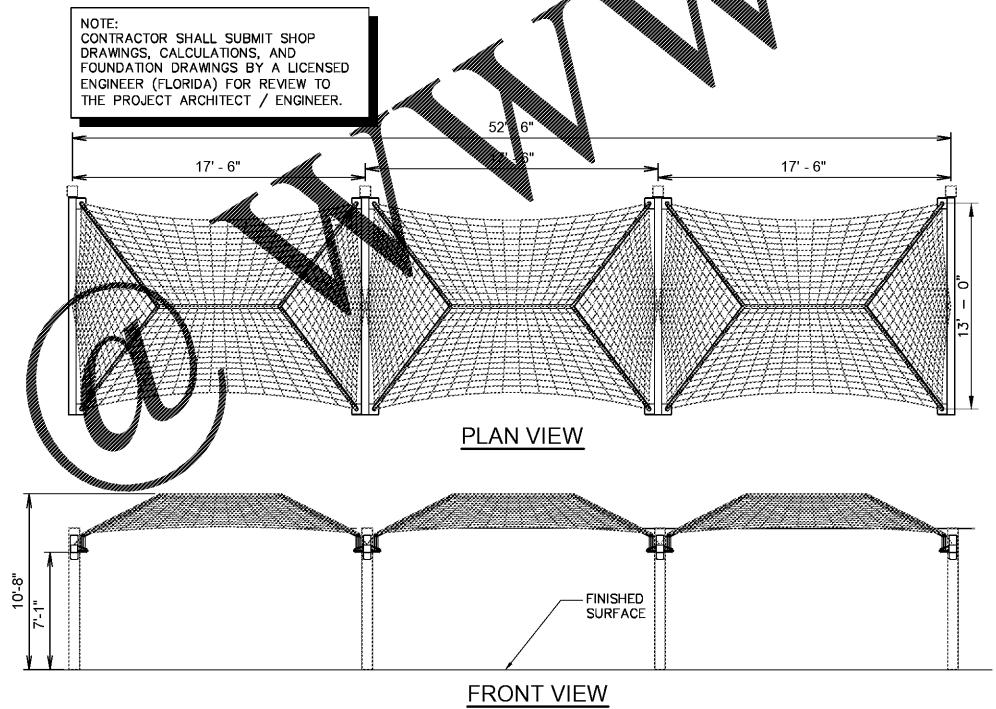
1 DUMPSTER ENCLOSURE
SCALE: 1/2"=1'-0"



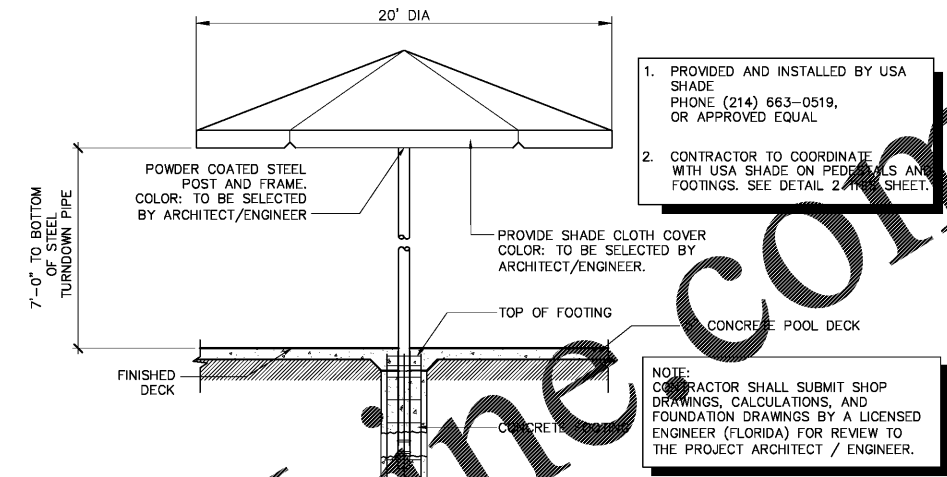
4 LIGHTED SHADE CANOPY DETAIL (PROVIDE 1)
SCALE: 1"=5'-0"



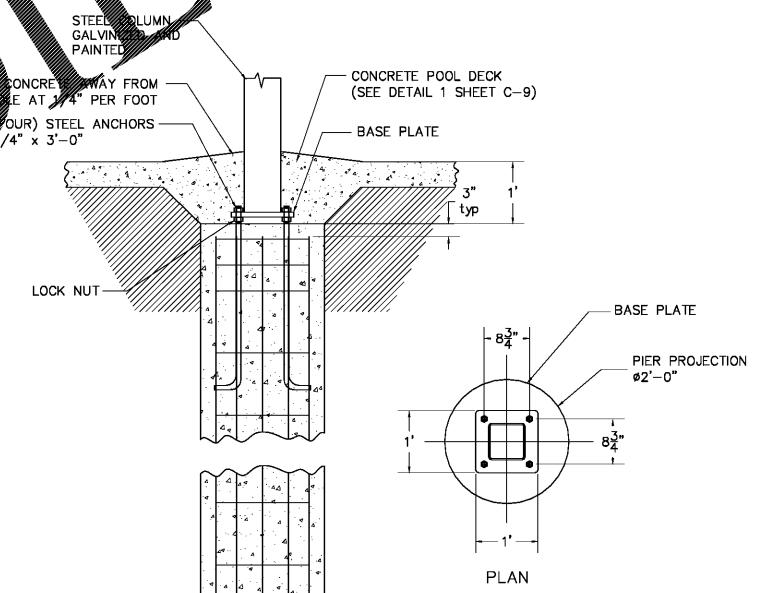
PLAN VIEW
SCALE: 3/16"=1'-0"



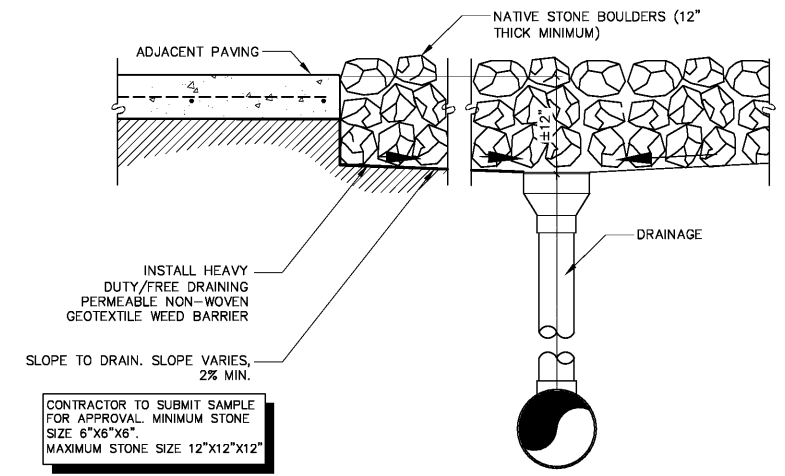
5 CANTILEVER SHADE STRUCTURE (PROVIDE TWO - TWO BAY & ONE - THREE BAY)
SIDE ELEVATION: 1"=5'-0"



2 COOL BELLAS SHADE STRUCTURE (PROVIDE 5)



3 GROUP SHELTER FOOTING DETAIL
N.T.S.



6
SCALE: 1"=1'-0"

Kimley-Horn
2201 West Royal Lane, Suite 275, Irving, Texas 75063
PH: 972.421.4200
FLORIDA REGISTERED PROFESSIONAL ENGINEERING FIRM REG. NO. 12480
FLORIDA REGISTERED LANDSCAPE ARCHITECTURE FIRM LC-C000219
2017 KIMLEY-HORN AND ASSOCIATES, INC.

PETER T. VAN BUSKICK
PROFESSIONAL ENGINEER
LICENSE NO. 38859
THIS ITEM HAS BEEN
ELECTRONICALLY
SEAL AND SEALED BY PETER
T. VAN BUSKICK, P.E.
USING A 4-SHA-19
AUTHENTICATION CODE.

**BUTLER PARK
AQUATIC CENTER
CITY OF NORTHPORT, FL**

SITE DETAILS - 2

Scale: AS SHOWN
Designed by: MCH
Drawn by: KWS
Checked by: DP
Date: DECEMBER 2017
Project No. 48285014

SHEET

C-10