

TYPICAL SILT FENCE
N.T.S.
FIGURE 2

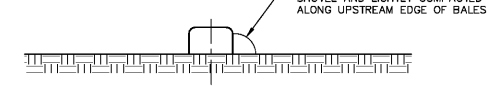
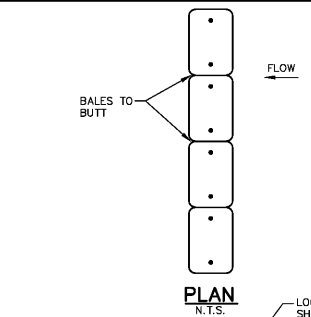
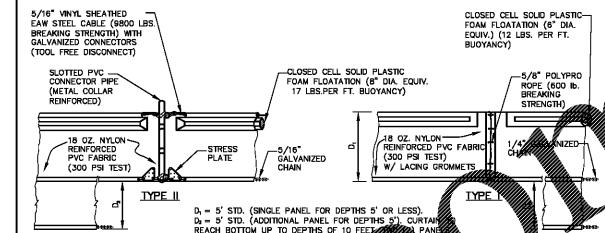
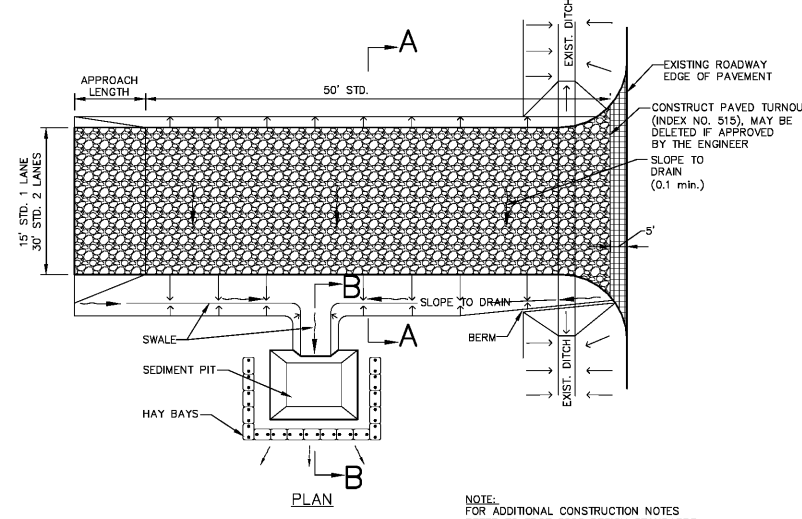


FIGURE 3

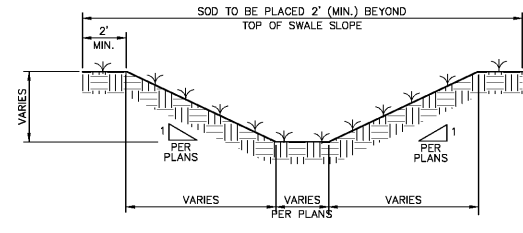


FLOATING TURBIDITY BARRIERS
N.T.S.
FIGURE 4

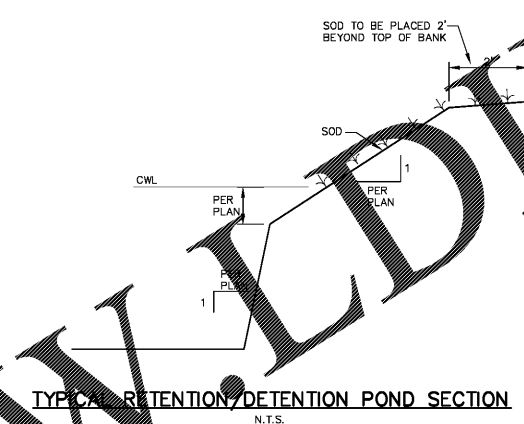


- NOTES:
1. THE ENTRANCE SHALL BE MAINTAINED IN A CONDITION THAT WILL PREVENT TRACKING OR FLOWING OF SEDIMENT ONTO PUBLIC RIGHTS-OF-WAY. THIS MAY REQUIRE TOP DRESSING, REPAIR AND/OR CLEANOUT OF ANY MEASURES USED TO TRAP SEDIMENT.
 2. WHEN NECESSARY, WHEELS SHALL BE CLEANED PRIOR TO ENTRANCE ONTO PUBLIC RIGHT-OF-WAY.
 3. WHEN WASHING IS REQUIRED, IT SHALL BE DONE ON AN AREA STABILIZED WITH CRUSHED STONE THAT DRAINS INTO AN APPROVED SEDIMENT TRAP OR SEDIMENT BASIN.

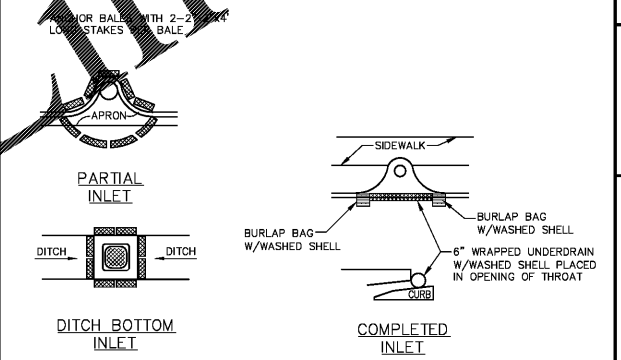
TEMPORARY GRAVEL CONSTRUCTION ENTRANCE
N.T.S.
FIGURE 1



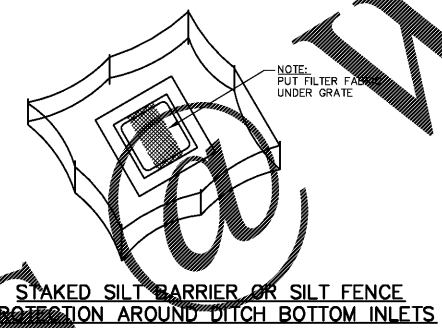
TYPICAL SWALE SECTION
N.T.S.
FIGURE 5



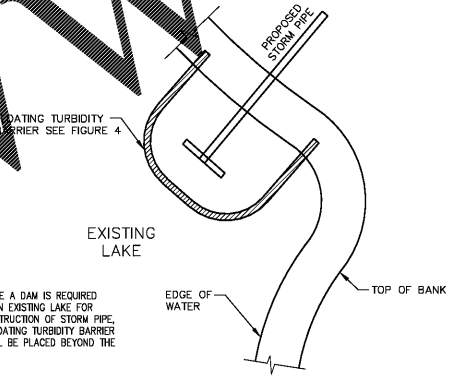
TYPICAL RETENTION/DETENTION POND SECTION
N.T.S.
FIGURE 6



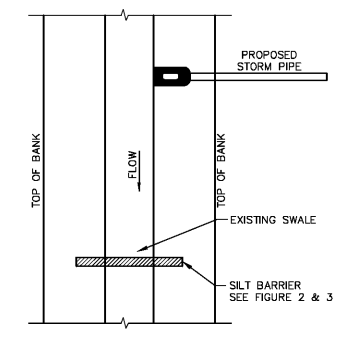
PROTECTION AROUND INLETS OR SIMILAR STRUCTURES
N.T.S.
FIGURE 7



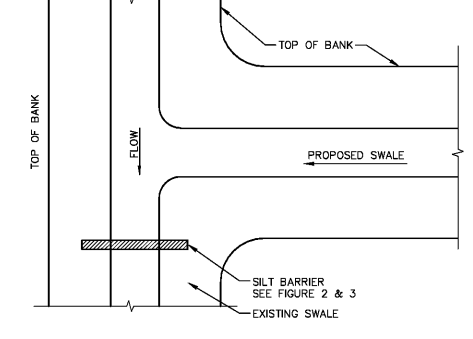
STAKED SILT BARRIER OR SILT FENCE
PROTECTION AROUND DITCH BOTTOM INLETS
N.T.S.
FIGURE 8



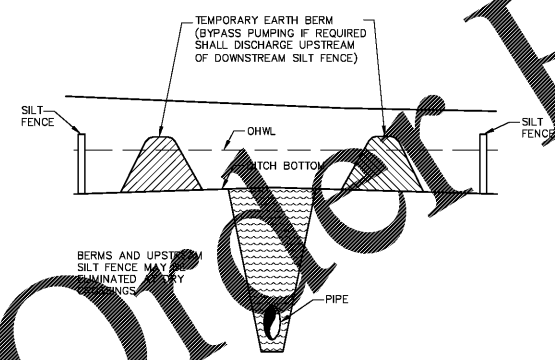
FLOATING TURBIDITY BARRIER AT CONNECTION
OF STORM PIPE TO EXISTING LAKE
N.T.S.
FIGURE 9



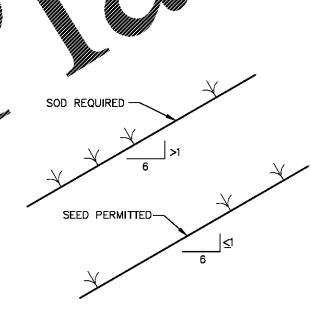
SILT BARRIER AT CONNECTION
OF STORM PIPE TO EXISTING SWALE
N.T.S.
FIGURE 10



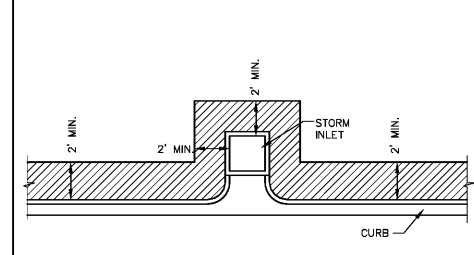
SILT BARRIER AT CONNECTION OF SWALE TO
EXISTING SWALE
N.T.S.
FIGURE 11



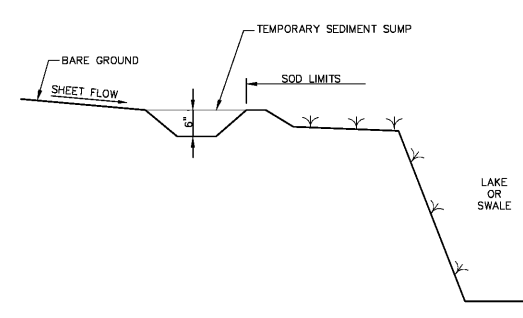
UNDERGROUND PIPE CROSSING
N.T.S.
FIGURE 12



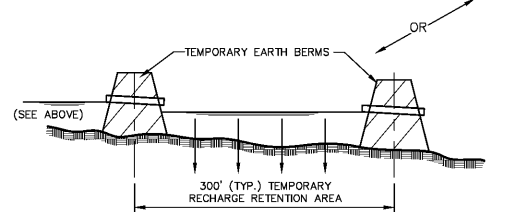
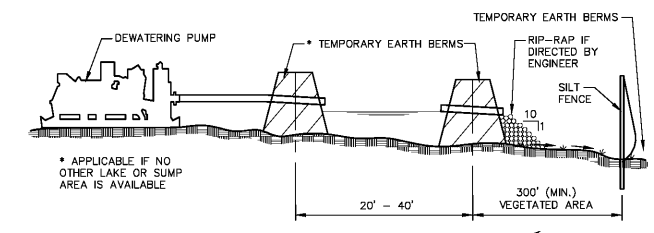
GRASS SLOPES
N.T.S.
FIGURE 13



SOD ALONG CURB AND AROUND INLET
N.T.S.
FIGURE 14



TEMPORARY SEDIMENT SUMP
N.T.S.
FIGURE 15



TYPICAL DEWATERING DISCHARGE PLAN
N.T.S.
FIGURE 16

Kimley-Horn
2201 West Royal Lane, Suite 275, Irving, Texas 75063
PHONE: 214-420-5600 FAX: 214-420-5680
FLORIDA REGISTERED ENGINEERING FIRM 686
FLORIDA REGISTERED LANDSCAPE ARCHITECTURE FIRM LC-0000719
© 2017 KIMLEY-HORN AND ASSOCIATES, INC.

PETER J. VAN BUSKIRK
STATE OF FLORIDA
PROFESSIONAL ENGINEER
NO. 12583
THIS PLAN HAS BEEN
ELECTRONICALLY SIGNED
AND SEALED BY
P.J.V. ON 02/23/2018
USING A SHA-1
AUTHENTICATION CODE

BUTLER PARK
AQUATIC CENTER
CITY OF NORTHPORT, FL

EROSION CONTROL
DETAILS

Scale: AS SHOWN
Designed by: MCH
Drawn by: KWS
Checked by: DP
Date: DECEMBER 2017
Project No. 48285014

SHEET
C-8