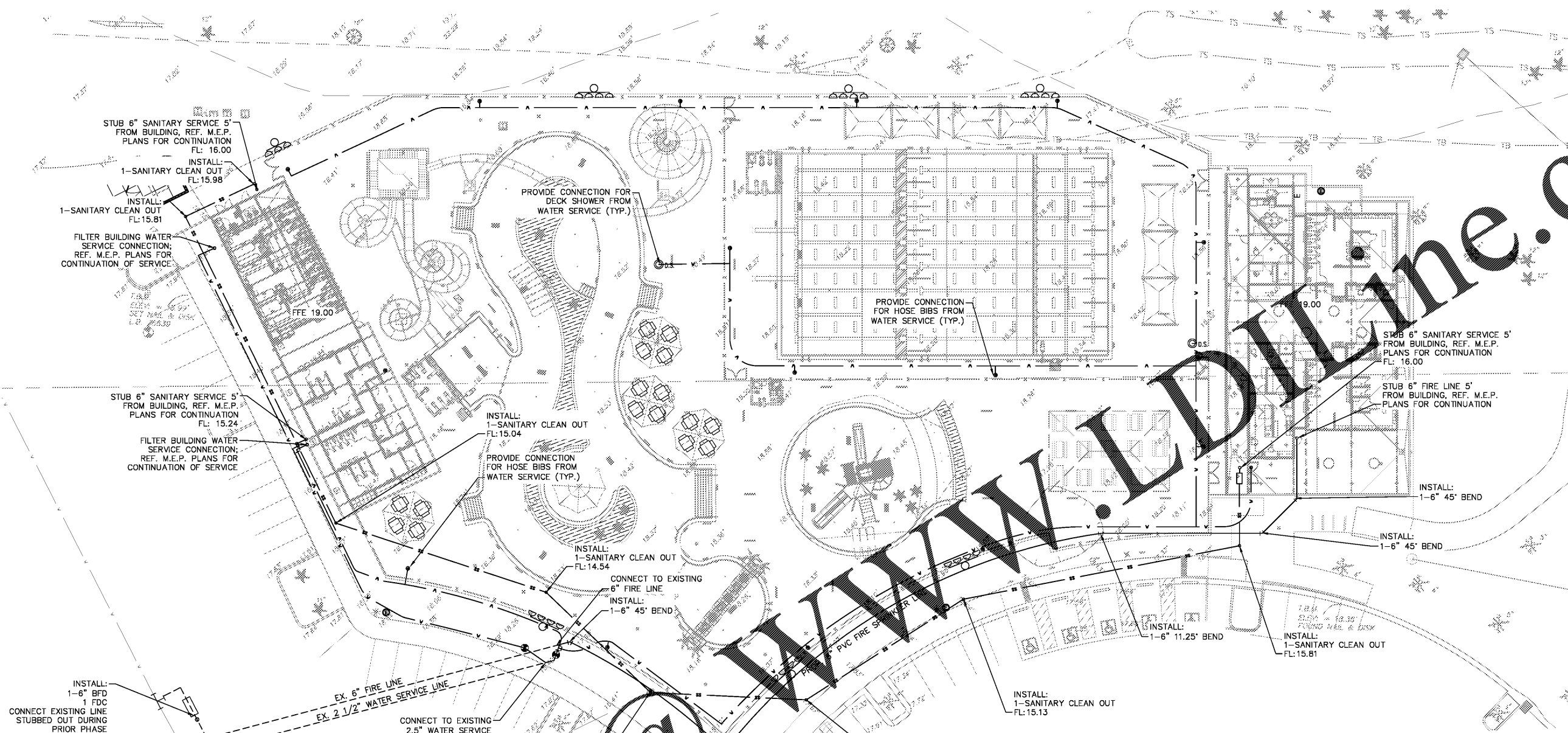
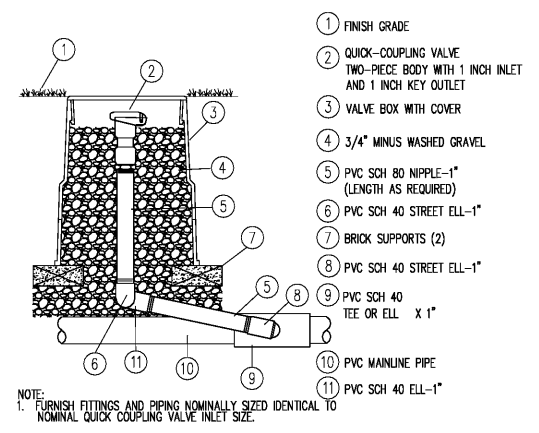


Order Plans



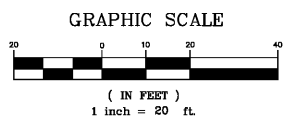
**LEGEND:**

- - - - - EXISTING WATER LINE
- - - - - EXISTING SEWER LINE
- ⊕ EXISTING FIRE HYDRANT
- ⊙ EXISTING SS MANHOLE
- PROPOSED WATER LINE
- PROPOSED FIRE LINE
- PROPOSED SS LINE
- ⊕ LIGHT POLE REFER TO ELECTRICAL SHEETS
- ⊕ PROPOSED WATER METER
- ⊕ PROPOSED HOSE BIB W/ VACUUM BREAKER
- ⊕ DECK SHOWER SEE DET 5, SHEET C-11



NOTE:  
1. FURNISH FITTINGS AND PIPING NOMINALLY SIZED IDENTICAL TO NOMINAL QUICK COUPING VALVE INLET SIZE.

**1** HOSE BIB  
N.T.S.



**Kimley-Horn**  
2201 West Royal Lane, Suite 275, Irving, Texas 75063  
PH: 972.437.8800  
FLORIDA REGISTERED ENGINEERING FIRM BR: 000118  
USING 7-284-19  
2017 KIMLEY-HORN AND ASSOCIATES, INC.

PETER T. VAN BUSKICK  
PROFESSIONAL ENGINEER  
LICENSE NO. 38859  
THIS ITEM HAS BEEN  
DESIGNED AND DRAWN  
AND SEALED BY PETER  
T. VAN BUSKICK, P.E.  
USING 7-284-19  
AUTHENTICATION CODE

**BUTLER PARK  
AQUATIC CENTER  
CITY OF NORTHPORT, FL**

**UTILITY PLAN**

Scale: AS SHOWN  
Designed by: MCH  
Drawn by: KWS  
Checked by: DP  
Date: DECEMBER 2017  
Project No. 48285014

SHEET  
**C-6**