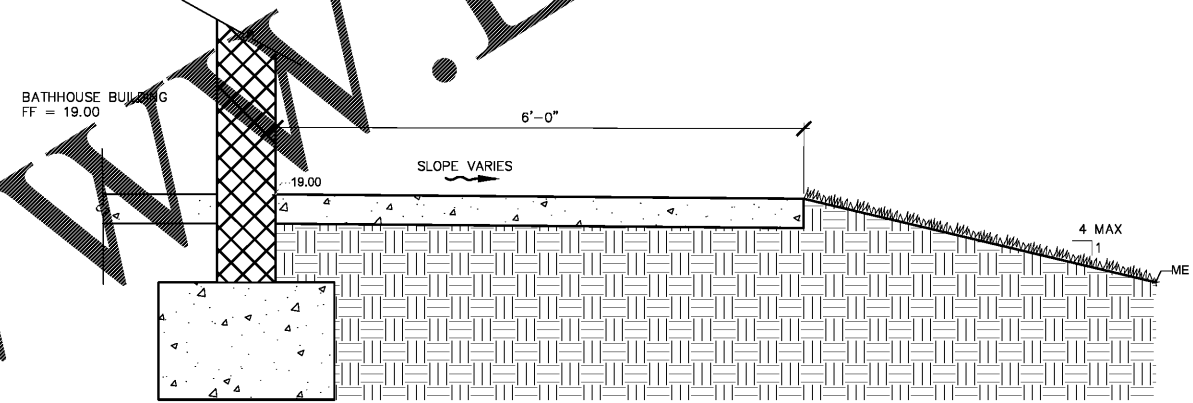
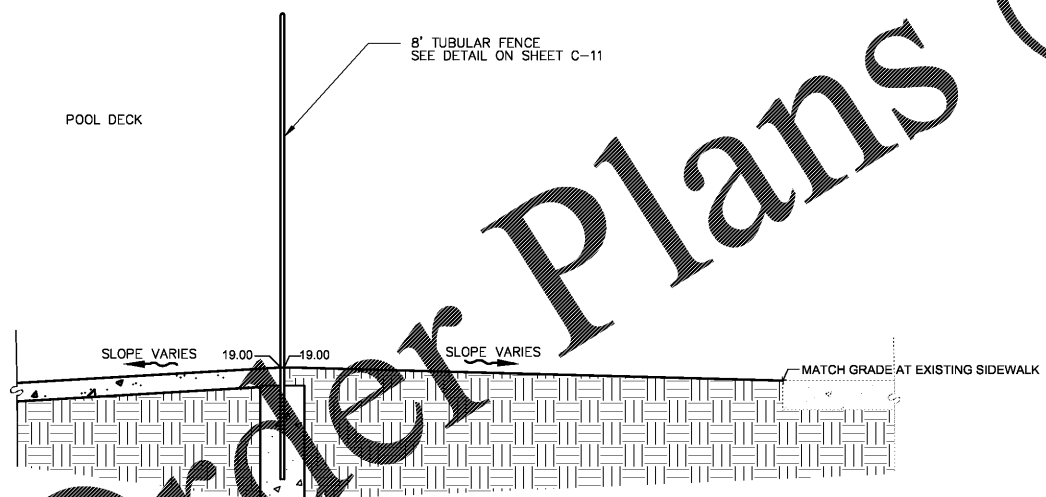


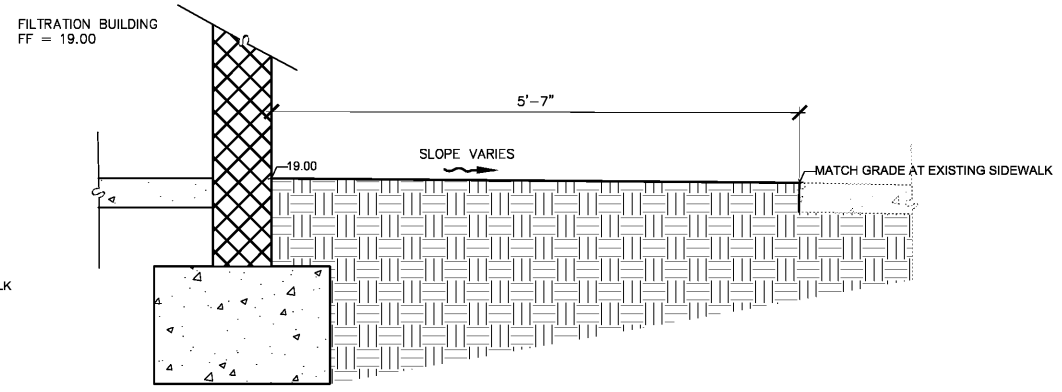
A POOL DECK TURN DOWN EDGE
N.T.S.



B N.T.S.



C N.T.S.



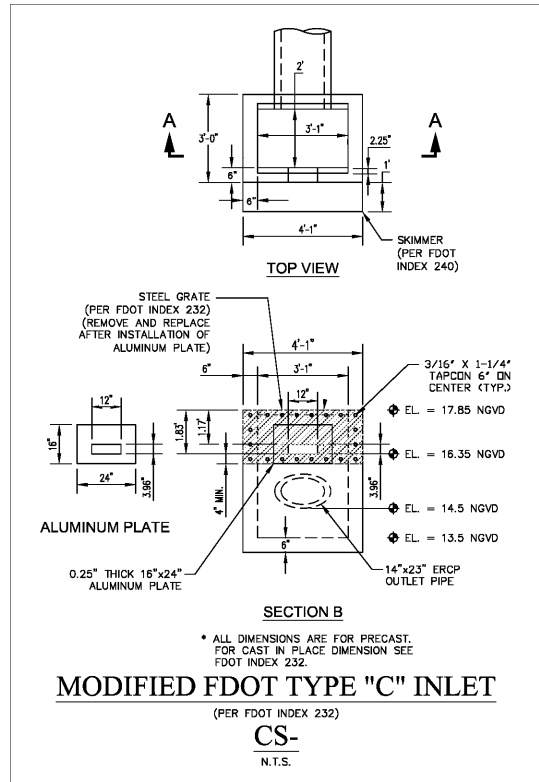
D N.T.S.

ELEVATION INFORMATION SHOWN ON THESE PLANS ARE BASED ON NATIONAL AMERICAN VERTICAL DATUM OF 1988 (NAVD 1988). CONVERSION FACTOR: NAVD + 1.12FT = NGVD 29.

THIS DEVELOPMENT HAS BEEN DESIGNED TO NOT IMPEDE, IMPOUND OR BLOCK THE NATURAL FLOW OF DRAINAGE FROM OR ACCESS ADJACENT AND CONTIGUOUS PROPERTIES.

LEGEND:

- ===== PROPOSED PVC DECK DRAIN LINE
- PROPOSED 12" AREA DRAIN SEE DET. 5 SHEET C-9
- PROPOSED FRENCH DRAIN SEE DET. 5 SHEET C-9
- FF FINISH FLOOR
- WL WATER LEVEL



Kimley-Horn
2201 West Royal Lane, Suite 275, Irving, Texas 75063
PHONE: 972-251-4200 FAX: 972-251-4201
FLORIDA REGISTERED ENGINEERING FIRM ESR-66
FLORIDA REGISTERED LANDSCAPE ARCHITECTURE FIRM LC-C000219
© 2017 KIMLEY-HORN AND ASSOCIATES, INC.

PETER T. VAN BUSKIRK
PROFESSIONAL LANDSCAPE ARCHITECT
LICENSE NO. 38859
THIS ITEM HAS BEEN ELECTRONICALLY SIGNED AND SEALED BY PETER T. VAN BUSKIRK, P.L.A. 02/25/2018 USING U.S. 2014 AUTHENTICATION CODE.

**BUTLER PARK
AQUATIC CENTER**
CITY OF NORTHPORT, FL

CROSS SECTIONS

Scale: AS SHOWN
Designed by: MCH
Drawn by: KWS
Checked by: DP
Date: DECEMBER 2017
Project No. 48285014

SHEET
C-4A