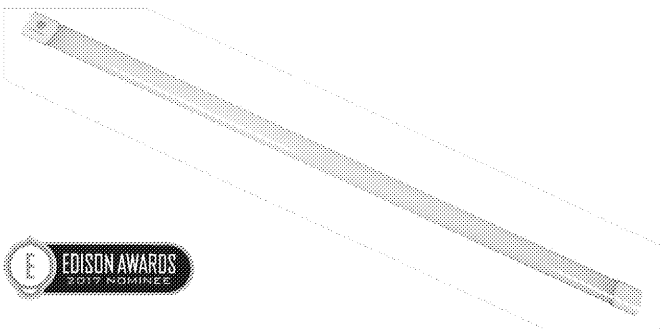




L-Bar Luminaire

HIGH-OUTPUT, LIGHT-WEIGHT, ENERGY EFFICIENT LED LIGHTING SOLUTION



Powerful, light-weight and energy efficient, the new L-Bar is ideal for a variety of commercial applications. With an output of up to 4500 lumens, the L-Bar is so powerful that one linear luminaire can replace a standard 2'x4' commercial troffer. Weighing in at only 19 ounces, the L-Bar is so lightweight that it can be mounted directly to the ceiling. Wet-rated and available in two and four foot lengths, the L-Bar is the ideal choice for both indoor and outdoor environments—including offices, retail, parking garages, stairwells, schools, hospitals—virtually anywhere you are currently using a standard commercial troffer.

- **Lightweight Design:** Low profile, robust, polymer construction provides quick and easy installation of this high output light source.
- **Cost Effective:** Costs up to 75 percent less than a standard 2' x 4' R commercial troffer.
- **Energy Efficient:** Provides up to 150 lumens per watt.
- **Mountable:** Offers with flush mount hardware plate for fast and clean surface mounting. Optional suspension mount aircraft balling available.



1356 DIVISION ROAD, SUITE 204, WEST WARWICK, RI 02891 | **LSBG.COM** | 1-877-898-8742 | 801 N ATLANTIC AVENUE, COCHA BEACH, FL 32911

TYPE 'A1'



TECHLIGHT FEATURES & SPECIFICATIONS

APPLICATION — The high performance luminaire is designed for area lighting applications where long life, low maintenance, and consistent color rendering is required. Areas with limited accessibility due to fixture location or where heavy pedestrian or vehicle traffic makes maintenance difficult are ideal applications such as parking lots or walkways. It is also compact and available enough for general purpose emergency lighting.

CONSTRUCTION — The heavy duty housing is constructed of extruded aluminum. The optical assemblies are sealed in place using a silicone gasket for weather tight protection. Multiple LED break out panels for ease of maintenance. ETL listed for wet locations (IP64). Additional IP66 rating available upon request.

FINISH — A Super Durable Polyester powder coat finish is electrostatically applied in our state of the art paint facility. Standard colors available: Black, Bronze, US Green, White. Custom colors available upon request.

OPTICAL SYSTEM — Made with a state of the art UV stabilized acrylic high performance refractive optical assemblies that use high transmittance materials to achieve precise photometric distributions. Available in: Type II, III, IV, V, VI, VII, VIII, IX, X, XI, XII, XIII, XIV, XV, XVI, XVII, XVIII, XIX, XX, XXI, XXII, XXIII, XXIV, XXV, XXVI, XXVII, XXVIII, XXIX, XXX.

ELECTRICAL SYSTEM — Available in up to a 6 brick LED system in 5000K Cool White (+/- 800K) or 4100K Neutral White color temperatures (70 CRI min.) propagated with Philips Lumileds LUXEON™ T LED's or Osram equivalent. Available with 90-300V 50/60Hz Class II power supply, LED's rated over 305,000 hours (TM21 Calculated L70) at 25°C ambient temperature with selectable 700mA, 1950mA and 1400mA operation. Lumen Maintenance +87% at 50K hrs, 24V and 48V input options available. Standards: 0-10V dimming. Fixture provided with integrated 100V surge protection that meets IEEE C82.42.2-2002. Built-in Active PFC Function, LED Power Supply conforms to UL 1310 Class 2 and UL8750 standards and is IP67 rated for wet locations.

MOUNTINGS — This fixture is designed to mount directly to a square pipe. An adapter is available for direct mount to round poles. Techlight's Quick Mount Bracket for flush mount or the Quick Mount Bracket with various arm lengths is also available. All mounting options allow the Tapered Back Series to mount at 90 degree intervals.

LISTINGS — LED Driver listed for wet locations (IP67). LED breaks ETL listed for wet locations (IP64). Meets US and Canadian safety standards. -40°C to 50°C ambient operation, RoHS Compliant.

WARRANTY — The complete luminaire is covered by a 5-year limited warranty.

ORDERING INFORMATION

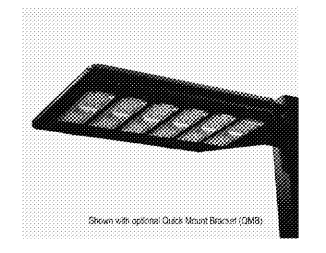
Customer use only. Option for the customer website configuration. For more information visit us at www.techlightusa.com or call 877-898-8742. See the order sheet for complete details. All prices are in US Dollars and subject to change without notice. See the order sheet for complete details.

Example: **LSBT6C8T5WD1-BZ QMS**
(0312) 4886 Black 6 (3000k) dimmable

Series	Housing Height	Length & Width	EPA (ft)
LSBT	5.65"	39.07" x 20.62"	3

Catalog Number	TYPES 'HP' & 'HP2'
Project	Type

Tapered Back
Sabor LED Area Light
LSBT SERIES



Series	Housing Height	Length & Width	EPA (ft)
LSBT	5.65"	39.07" x 20.62"	3

Dimensions shown are for 5.6.5 Black Unit Only. Mounting options need be ordered separately.



TECHLIGHT FEATURES & SPECIFICATIONS

POLE — The pole shaft is fabricated from hot rolled carbon steel having a minimum yield of 35,000 PSI and conforms to ASTM A500 grade C requirements. The shaft construction is a single piece of finished steel welded longitudinally. The latest hole is located 7" above the pole base. A ground lug is provided standard.

ANCHOR BASE — The anchor base is fabricated from a structural quality hot rolled carbon steel plate that has a minimum yield strength of 35,000 PSI. The anchor base telescopes the pole shaft and has a cross-sectional weld on the top and bottom.

BASE COVER — A full base cover is provided which encapsulates the base plate and anchor bolts to provide a clean transition from pole to base.

FINISH — A Super Durable Polyester powder coat finish is electrostatically applied in our state of the art paint facility. Standard colors available: Black, Bronze, US Green, White. Custom colors available upon request. Galvanizing and T-Guard treatments available upon request. Additional warranty extensions available with these treatments.

Technical Data

Nominal Pole Height	20'-0"
Shaft Dimensions	2.75" x 4"
Web Flange	1" Flange
2nd Cross	8.5"
3rd Cross	34" x 16" x 3"
Base Plate Dimensions	8.5" sq. x 2.75" dia.
56" Spacing	160 lbs

Max EPA (1.3 Gust)

Height	EPA
30 mph	5.2
100 mph	6.8
110 mph	4
120 mph	1.2
130 mph	2.1
140 mph	1.2

ORDERING INFORMATION

Customer use only. Option for the customer website configuration. For more information visit us at www.techlightusa.com or call 877-898-8742. See the order sheet for complete details. All prices are in US Dollars and subject to change without notice. See the order sheet for complete details.

Example: **SSP 20 4 11 BZ T238 KAB341808R**

Series	Pole Height	Pole Size	Pole Gauge	Color	Mounting	Drill Pattern
SSP	20'	4" Square	11 Gauge	BK Black	DM1 DM190 DM3180 DM390 DM480 DM580 DM690 DM738 DM772 DM772 T238 T238 T312	Blank None - for Troffer Mounting B SSA-2x4 Mount V VSA-2x4 Mount

ANCHOR BOLT KITS MUST BE ORDERED AS SEPARATE LINE ITEM. EACH KIT IS PROVIDED WITH A RIGID TEMPLATE FOR INSTALLATION. SEE ACCESSORIES FOR KIT PART NUMBERS. PLEASE NOTE ON PURCHASE ORDER IF ANCHOR BOLTS AND TEMPLATES ARE TO BE PRE-SHIPPED.

Accessories (Order as separate line items)

Part Number	Description	Notes
KAB341808R	Anchor Bolt Kit for 4" Square Pole	1 Kit
DM1	DM1 2 Sides at 90°	1 Kit
DM190	DM190 2 Sides at 180°	1 Kit
DM3180	DM3180 2 Sides at 90°	1 Kit
DM390	DM390 2 Sides at 90°	1 Kit
DM480	DM480 2 Sides at 90°	1 Kit
DM580	DM580 2 Sides at 90°	1 Kit
DM690	DM690 2 Sides at 90°	1 Kit
DM738	DM738 2 Sides at 90°	1 Kit
DM772	DM772 2 Sides at 90°	1 Kit
T238	T238 2 Sides at 90°	1 Kit
T312	T312 2 Sides at 90°	1 Kit



TECHLIGHT FEATURES & SPECIFICATIONS

APPLICATION — The high performance luminaire is designed for outdoor applications where long life, low maintenance, and consistent color rendering is required. Areas with limited accessibility due to fixture location or where heavy pedestrian traffic makes maintenance difficult are ideal applications such as building facade lighting or well mounted security lighting. The traditional design style of the luminaire allows it to be seamlessly integrated into existing systems when necessary.

CONSTRUCTION — The heavy duty housing is constructed of die cast aluminum. The optical assemblies are sealed in place using a silicone gasket for weather tight protection. ETL listed for wet locations (IP64). Additional IP66 rating available upon request.

FINISH — A Super Durable Polyester powder coat finish is electrostatically applied in our state of the art paint facility. Standard colors available: Black, Bronze, US Green, White. Custom colors available upon request.

OPTICAL SYSTEM — Made with a state of the art UV stabilized acrylic high performance refractive optical assemblies that use high transmittance materials to achieve precise photometric distributions. Available in: Type III beam configuration.

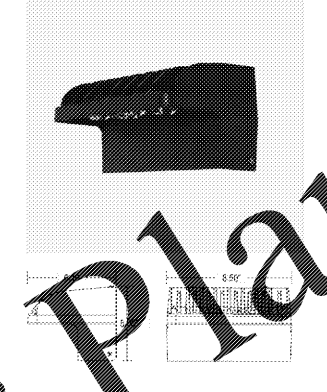
ELECTRICAL SYSTEM — Available in a high output 2 or 4 LED system in 5000K Cool White (+/- 800K) or 4100K Neutral White color temperatures propagated with Philips Lumileds LUXEON™ XE LED's. Available with 90-300V 50/60 Hz Driver, LED's rated for over 50,000 hours at 25°C ambient temperature, 0-10V dimming standard. Built-in surge protection up to 10 kV. Built-in Active PFC Function, +87% L70, LED Power Supply conforms to UL 1310 and UL8750 standards and is IP67 rated for wet locations.

MOUNTING — Quick sheet metal mounting bracket conforms to a standard J-Box. The bracket has a unique fringing feature to allow easy wire connection. After connections are made, the fixture weighs up and is secured with two retaining screws at the top of the fixture. An additional back box is available for applications requiring conduit entry (See Accessories).

LISTINGS — LED Driver listed for wet locations (IP67). LED breaks ETL listed for wet locations (IP64). Meets US and Canadian safety standards. -40°C to 50°C ambient operation.

Catalog Number	TYPE 'G'
Project	Type

Small Heat Sink LED Wall Pack LHSWP SERIES



Series	Housing Height	Length & Width
LHSWP	6.65"	6.10" x 6.67"

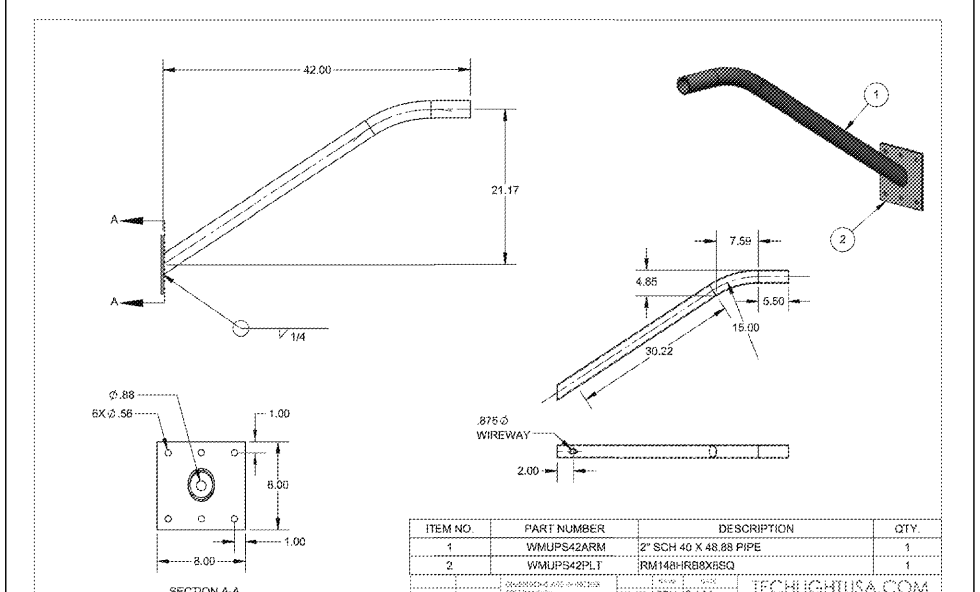
Example: **LHSWP1C4T3H1-BZ**

Series	# of Bricks	Color Temp	# LED's per Brick	Optics	Drive Current	Voltage	Finish
LHSWP	2	Cool White (5000K)	2	T3 Type III	F 1400mA Driver	1 48V-10V	BK Black
LHSWP	4	Neutral White (4100K)	4	T3 Type III	F 2100mA Driver	1 48V-10V	BZ Bronze
							GR US Green
							WN White
							SP Stainless

Accessories (Order as separate line items)

Part Number	Description	Notes
KAB341808R	Anchor Bolt Kit for 4" Square Pole	1 Kit
DM1	DM1 2 Sides at 90°	1 Kit
DM190	DM190 2 Sides at 180°	1 Kit
DM3180	DM3180 2 Sides at 90°	1 Kit
DM390	DM390 2 Sides at 90°	1 Kit
DM480	DM480 2 Sides at 90°	1 Kit
DM580	DM580 2 Sides at 90°	1 Kit
DM690	DM690 2 Sides at 90°	1 Kit
DM738	DM738 2 Sides at 90°	1 Kit
DM772	DM772 2 Sides at 90°	1 Kit
T238	T238 2 Sides at 90°	1 Kit
T312	T312 2 Sides at 90°	1 Kit

www.techlightusa.com



TYPE 'HB' ARM & MOUNTING PLATE

ITEM NO.	PART NUMBER	DESCRIPTION	QTY.
1	WMUPS42ARM	2" SCH 40 X 48.88 PIPE	1
2	WMUPS42PLT	RM148HRBXSISQ	1
		TECHLIGHTUSA.COM	
		WMUPS42	



SEAL: HENRY D. MONTAGUE, PE 78172

THIS DRAWING SHALL NOT BE USED FOR CONSTRUCTION PURPOSES UNTIL THE SEAL AND SIGNATURE OF THE RESPONSIBLE REGISTANT APPEARS ON THE DRAWING, AND PROPER PERMIT FORMS AND RELATED FEES ARE TRANSMITTED BY THE OWNER, OWNER'S AGENT OR CONTRACTOR TO THE AUTHORITY HAVING JURISDICTION.

DATE	ISSUED FOR	REV
01/17/2018	PEMB COORDINATION	
01/17/2018	PERMIT SUBMITTAL	

Project Manager: B. COLBURN
Project Leader: B. COLBURN
Date: 11/20/2017
Client: Palmetto - Spring Hill Forest Rd., LLC.
 P.O. BOX 1615
 THOMASVILLE, GA 31792
 Office: (229) 226-1177
 Contact: Jeff Lazenby
Project: DOLLAR GENERAL
 US 19 & Pine Forest Dr.
 Spring Hill (Hernando County), FL

Drawing Title: SITE LIGHTING FIXTURE CUT SHEETS
 DO NOT SCALE DRAWING
Project No.: JCDT17.0325.00
Drawing No.: ES3