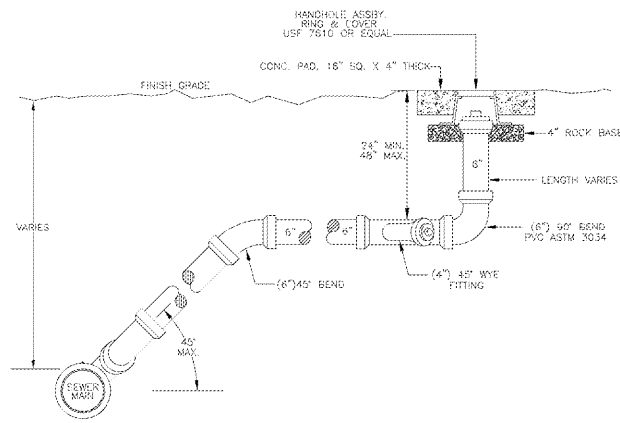


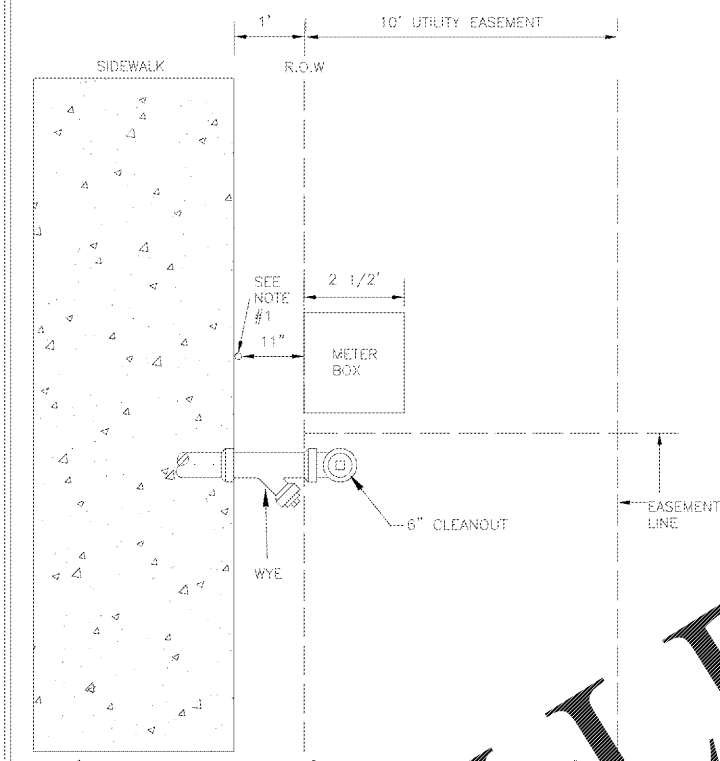
Order Plans @ www.LDILine.com



HERNANDO COUNTY UTILITIES DEPARTMENT
21030 CORTEZ BOULEVARD
BROOKSVILLE, FLORIDA 34601
OFFICE: (352) 754-4037 FAX: (352) 754-4485

GRAVITY SERVICE LATERAL - DRIVEWAY AND SIDEWALK "CLEAN-OUT" FITTING DETAIL

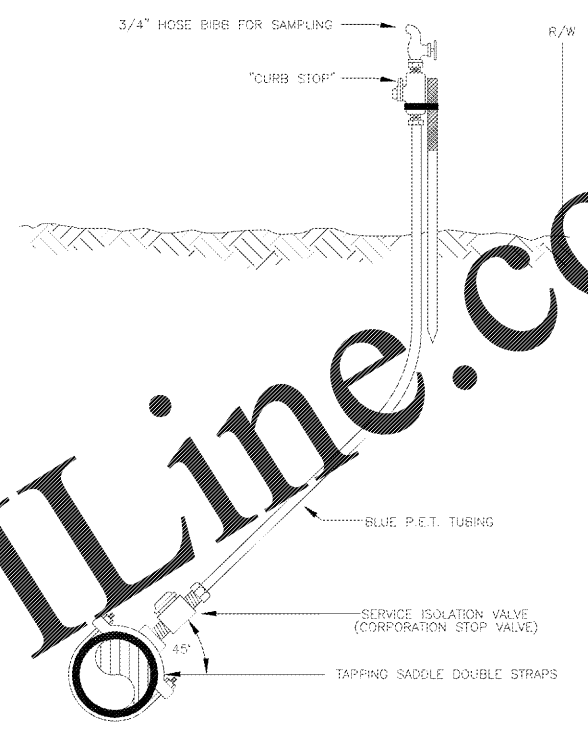
DETAIL: 19
PAGE D-36
DATE: JANUARY 2013



HERNANDO COUNTY UTILITIES DEPARTMENT
21030 CORTEZ BOULEVARD
BROOKSVILLE, FLORIDA 34601
OFFICE: (352) 754-4037 FAX: (352) 754-4485

SERVICE ISOLATIONS FOR LIMITED RIGHT OF WAY

DETAIL: 42
PAGE D-42
DATE: JANUARY 2013



HERNANDO COUNTY UTILITIES DEPARTMENT
21030 CORTEZ BOULEVARD
BROOKSVILLE, FLORIDA 34601
OFFICE: (352) 754-4037 FAX: (352) 754-4485

TEMPORARY SAMPLE POINT

DETAIL: 47
PAGE D-47
DATE: JANUARY 2013

NOTE:
DETAILS CONTAINED ON THIS PAGE WERE CREATED BY THE LOCAL JURISDICTION THEY SERVE. ENGINEER OF RECORD IS NOT THE AUTHOR IN ANY WAY OF THESE DETAILS AND CLAIMS NO RESPONSIBILITY FOR ACCURACY OR RELEVANCE AS THEY ARE PROVIDED AS A DIRECT REQUIREMENT OF THE UTILITY PROVIDER. CONTRACTOR SHALL ALSO REFER TO THE LOCAL JURISDICTIONAL PUBLICLY AVAILABLE SPECIFICATIONS.

Revisions	Project No.	Scale	Date
4			
3			
2			
1	PER HERNANDO COUNTY SPECIFICATIONS	AVF	10/21/17

CADD Tech	AVF	Project No.
3	AVF <td></td>	
2	AVF <td></td>	
1	SAL <td></td>	

PALMETTO CAPITAL GROUP, INC.

LA Civil, Inc.
Certificate of Authorization # 00029995
PO BOX 7649
Clearwater, Florida 33758-7649
Phone: 727-446-9000

DOLLAR GENERAL
SEC US 19 AND PINE FOREST DRIVE
HERNANDO COUNTY, FL

HERNANDO COUNTY UTILITY STANDARD DETAILS

SHEET No.
C7.3