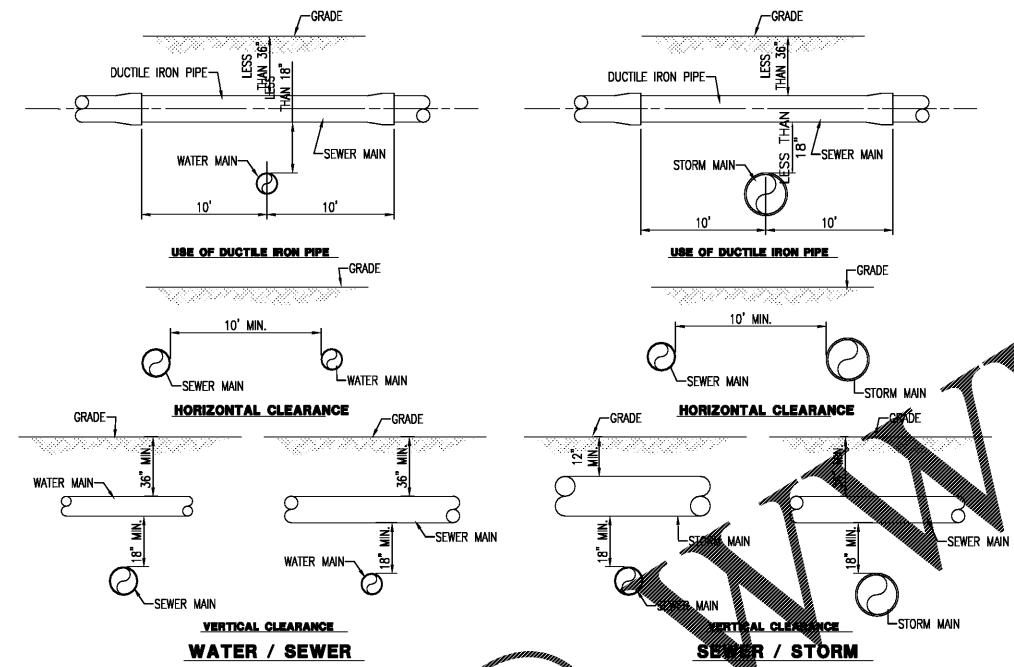


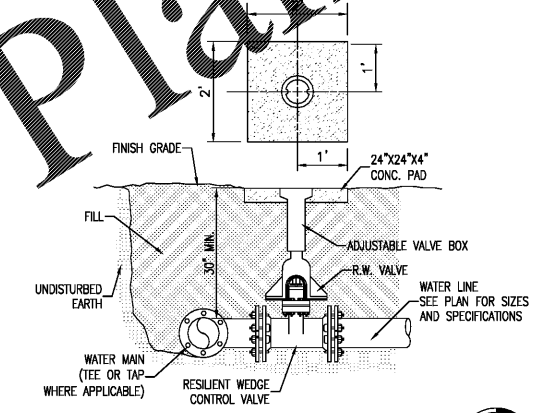
Order Plans



- NOTES:**
1. PROVIDE 36" MIN. COVER OVER DOMESTIC WATER MAINS AND SANITARY SEWER MAINS.
  2. PROVIDE 12" MIN. COVER OVER STORM SEWER MAINS (UNLESS NOTED OTHERWISE).
  3. PROVIDE 18" MIN. VERTICAL AND 10' HORIZONTAL CLEARANCE BETWEEN WATER AND SANITARY SEWER MAINS.
  4. PROVIDE 18" MIN. VERTICAL AND 10' HORIZONTAL CLEARANCE BETWEEN WATER AND STORM SEWER MAINS.
  5. PROVIDE 10' MIN. HORIZONTAL CLEARANCE BETWEEN SANITARY SEWER AND WATER MAINS.
  6. PROVIDE 10' MIN. HORIZONTAL CLEARANCE BETWEEN SANITARY SEWER AND STORM MAINS.
  7. DUCTILE IRON PIPE SANITARY SEWER SHALL BE USED UNDER THE FOLLOWING CONDITIONS:
    - A. MINIMUM COVER FOR SANITARY SEWER IS LESS THAN 36"
    - B. VERTICAL CLEARANCE BETWEEN WATER AND SANITARY SEWER MAINS IS LESS THAN 18".
    - C. VERTICAL CLEARANCE BETWEEN WATER AND STORM SEWER MAINS IS LESS THAN 18".
  8. CONCRETE ENCASMENT OF SANITARY SEWER MAINS IS NOT PERMITTED.
  9. SEE OTHER DETAILS FOR CONFLICT BOXES IMPOSED.
  10. LATERALS INTO BUILDINGS SHALL NOT APPLY TO THESE RESTRICTIONS WITHIN 5' OF THE STRUCTURAL FACE OF BUILDING.

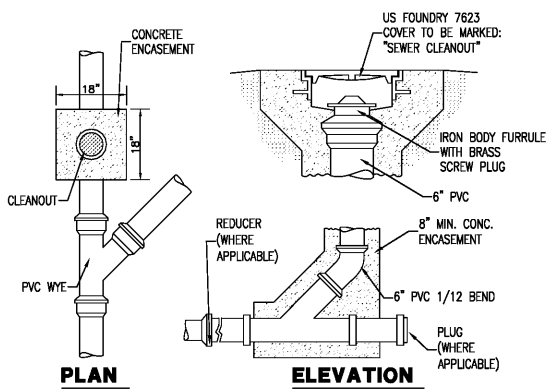
**WATER MAIN AND SANITARY SEWER TYPICAL CLEARANCES**

NTS



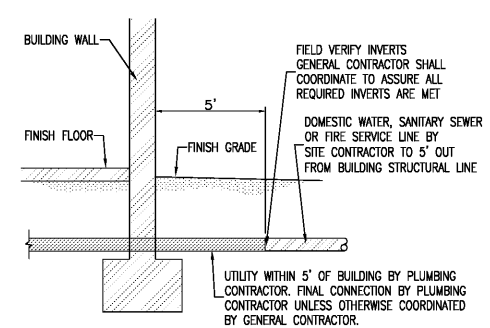
**GATE VALVE AND BOX**

NTS



**SANITARY SEWER CLEANOUT**

NTS



**NOTE:** THIS DETAIL SHALL NOT TAKE PRECEDENCE OVER CONTRACTS OR ARRANGEMENTS MADE BETWEEN THE GENERAL CONTRACTOR AND ITS SUBCONTRACTORS. THIS DETAIL IS PROVIDED AS A GUIDELINE TO SEPARATE SITWORK FROM BUILDING WORK.

**UTILITY CONNECTION AT BUILDING**

NTS

**ON-SITE UTILITY DETAILS NOTES AND SPECIFICATIONS**

1. ALL UTILITY DETAILS CONTAINED ON THIS PAGE ARE FOR ON-SITE PRIVATE SERVICES ONLY.
2. ALL UTILITY APPURTENANCES RELATIVE TO CONNECTIONS TO THE PUBLIC SYSTEM, METERS, BACKFLOW PREVENTION DEVICES, ETC. SHALL BE PER THE LOCAL UTILITY PROVIDER'S STANDARDS.
3. REFER TO OTHER DETAIL PAGES CONTAINING STANDARD DETAILS FOR PUBLIC UTILITIES.

**DOLLAR GENERAL**  
SEC US 19 AND PINE FOREST DRIVE  
HERNANDO COUNTY, FL

**PALMETTO CAPITAL GROUP, INC.**

**ON-SITE UTILITY DETAILS**

PROJECT TITLE

SHEET TITLE

SHEET No. **C6.4**

Revisions		CADD Tech		Designer		Engineer	
No.	Date	No.	Date	No.	Date	No.	Date
1	02/12/18	1		1		1	
2		2		2		2	
3		3		3		3	
4		4		4		4	

Project No. \_\_\_\_\_  
Scale \_\_\_\_\_  
Date 10/21/17

L.A. Civil, Inc.  
Certificate of Authorization # 00029995  
PO BOX 7649  
Clearwater, Florida 33758-7649  
Phone: 727-446-9000



SCOTT LINCOLN, P.E.  
Professional Engineer  
50035  
Fl. Reg. No.