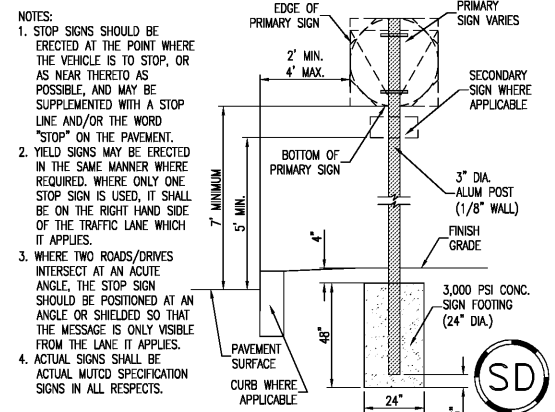
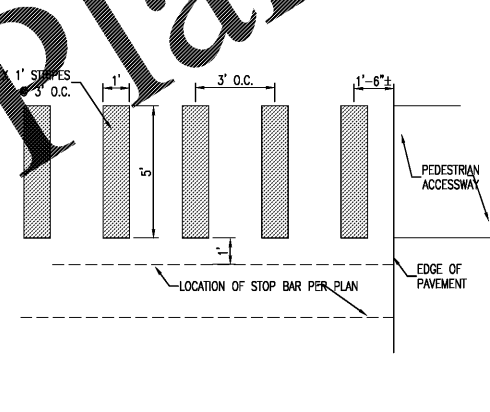


**TYPICAL DIRECTIONAL ARROWS**  
NTS

**TYPICAL PARKING AREA STOP BARS**  
NTS

**ON-SITE GORE STRIPING**  
NTS



**ON-SITE STRIPING AND MARKING NOTES AND SPECIFICATIONS**

- ALL STRIPING DEPICTIONS CONTAINED ON THIS PAGE ARE FOR ON-SITE INTERIOR PARKING LOT (PRIVATE PROPERTY) STRIPING ONLY. ANY STRIPING DEPICTED ON THE PLAN LOCATED AT FDOT (OR OTHER LOCAL JURISDICTIONAL) ACCESS POINTS (WITHIN PROPERTY BOUNDARIES OR NOT) SHALL BE STRIPED ACCORDING TO THEIR RESPECTIVE JURISDICTIONAL STANDARDS.
- ON-SITE PAINT SPECIFICATIONS: FEDERAL SPECIFICATION FS-TT-P-1952D (OR EQUAL). REFER TO OTHER DETAILS AND SPECIFICATIONS FOR PAINT RELATIVE TO RIGHT-OF-WAY PERMITTED WORK.
- ALL TRAFFIC CONTROL SIGNS SHALL BE PER MUTCD STANDARDS. CUSTOM-BUILT TRAFFIC CONTROL SIGNS ARE PROHIBITED. (NO WOODEN SIGNS, ETC. UNLESS SPECIFIED OTHERWISE FOR SPECIAL PURPOSES.)
- MEANS OF ATTACHMENT OF THE SIGNS TO THEIR POSTS SHALL BE PER MANUFACTURERS' SPECIFICATIONS.
- REFER TO OTHER SPECIFICATIONS AND/OR DETAILS FOR WORK RELATIVE TO THE PUBLIC RIGHT-OF-WAY.

**ON-SITE PEDESTRIAN CROSSWALK**  
NTS

**TRAFFIC SIGN MOUNTING DETAIL**  
NTS

**ON-SITE STRIPING AND MARKING NOTES AND SPECIFICATIONS**

**Order Plans**

**REVISIONS**

No.	Date	By	AVF
1	02/12/18	AVF	
2			
3			
4			

**PROJECT TITLE**  
SEC US 19 AND PINE FOREST DRIVE  
HERNANDO COUNTY, FL

**SHEET TITLE**  
ON-SITE SIGNAGE, STRIPING AND MARKING DETAILS

**PROJECT NO.**  
00015

**SCALE**  
AS SHOWN

**DATE**  
10/21/17

**DESIGNER**  
AVF

**ENGINEER**  
SAL

**AVF**  
CADD Tech

**AVF**  
Designer

**SAL**  
Engineer

**SCOTT LINCOLN, P.E.**  
Professional Engineer  
FL Reg. No. 50015

**PALMETTO CAPITAL GROUP, INC.**

**DOLLAR GENERAL**  
SEC US 19 AND PINE FOREST DRIVE  
HERNANDO COUNTY, FL

**L.A. Civil, Inc.**  
Certificate of Authorization # 00029995  
PO BOX 7649  
Clearwater, Florida 33758-7649  
Phone: 727-446-9000

**ON-SITE STRIPING AND MARKING NOTES AND SPECIFICATIONS**

**SHEET NO. C6.2**