

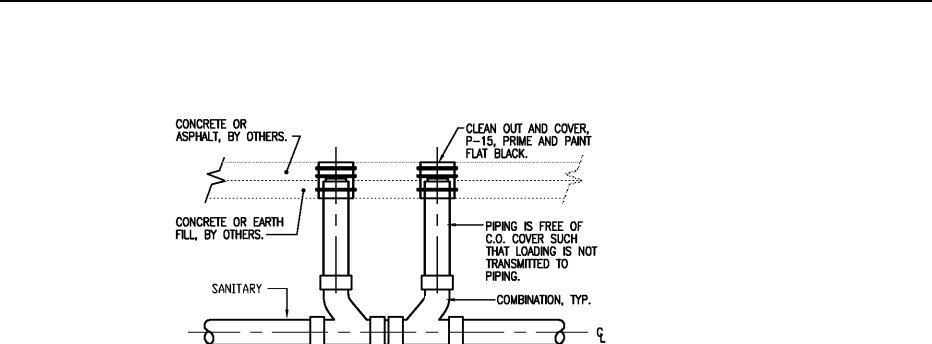
IF BRANCH IS GREATER THAN 20' LONG, PROVIDE ANOTHER WHA IN MIDDLE, EACH SIZED FOR HALF THE FIXTURE UNITS.

IF HORIZONTAL BRANCH IS LESS THAN 20' LONG, PROVIDE ONE WHA AT END OF LINE.

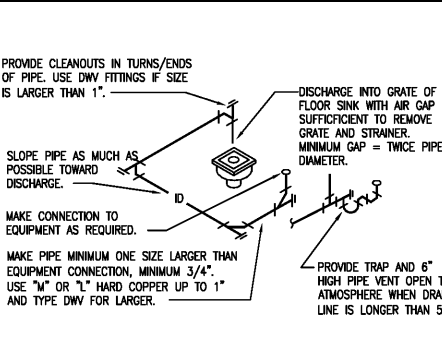
SINGLE FIXTURE			MULTIPLE FIXTURES		
PDI SIZE	PIPE SIZE	FIXTURE UNIT LOAD	FIXTURE UNIT TABULATION		
A	1/2"	1-11	VALVE WATER CLOSET	10	---
B	3/4"	12-32	TANK WATER CLOSET	5	---
C	1"	33-60	URINAL	5	---
D	1-1/4"	61-113	LAVATORY/SINK	1.5	1.5
E	1-1/2"	114-154	JANITOR'S SINK	3	3
F	2"	154-330	SHOWER/BATHTUB	2	2

DO NOT PROVIDE AIR CHAMBERS. PROVIDE WATER HAMMER ARRESTERS BY SIOUX CHIEF, PRECISION PLUMBING PRODUCTS, WATTS OR APPROVED EQUIVALENT WITH PISTON AND O-RING CONSTRUCTION, HAVING PDI #WH-201, ASSE # 1010 AND ANSI # A112.26.1M CERTIFICATION. INSTALL IN HORIZONTAL OR VERTICAL POSITION, BUT NEVER UPSIDE DOWN. INSTALL IN LINE WITH WATER FLOW DIRECTION IF POSSIBLE. SIZE THE UNITS AS SHOWN ON THE DRAWINGS AND/OR PER THE TABLES SHOWN ABOVE.

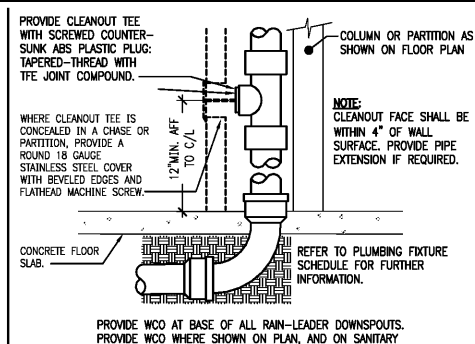
1 WATER HAMMER ARRESTORS DETAIL NTS



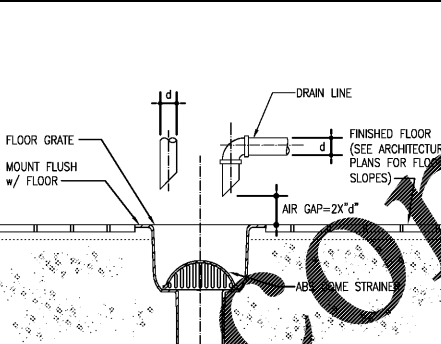
2 SANITARY CLEAN OUT OUTSIDE BUILDING NTS



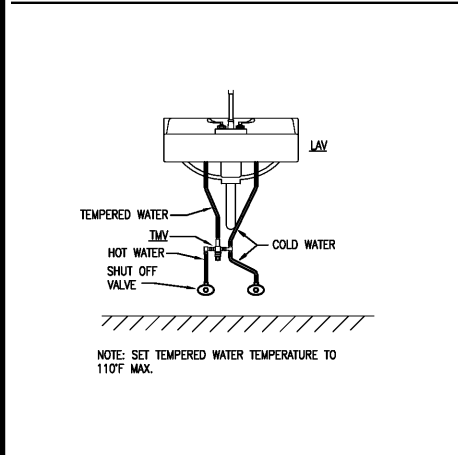
3 INDIRECT DRAIN DETAIL NTS



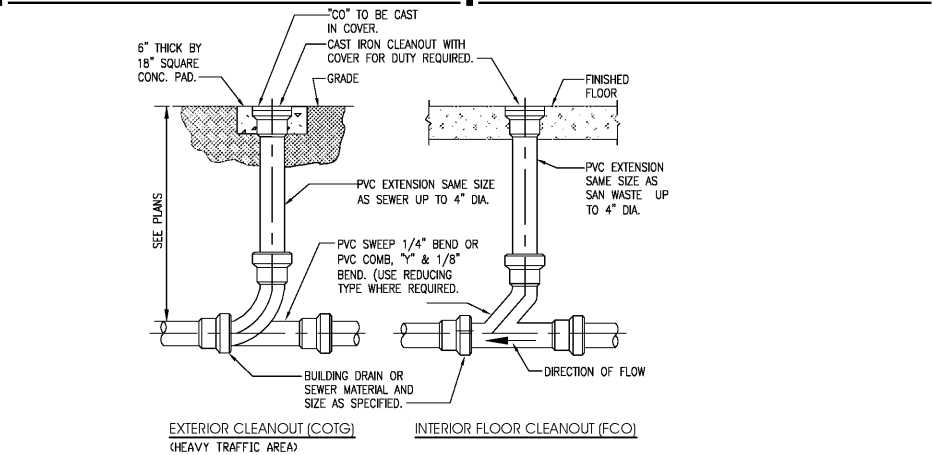
4 WALL CLEAN OUT DETAIL NTS



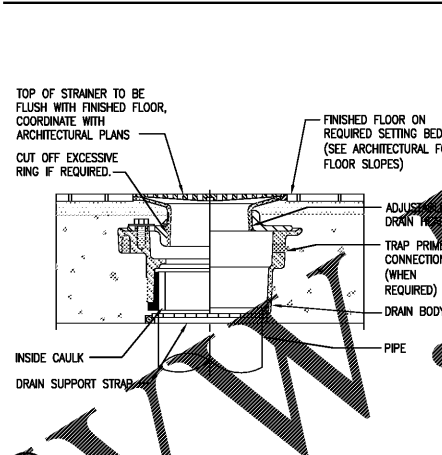
5 FLOOR SINK DETAIL NTS



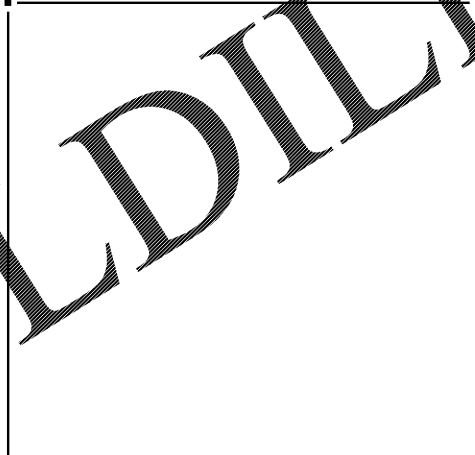
6 THERMAL MIXING VALVE DETAIL NTS



7 CLEANOUT DETAILS NTS



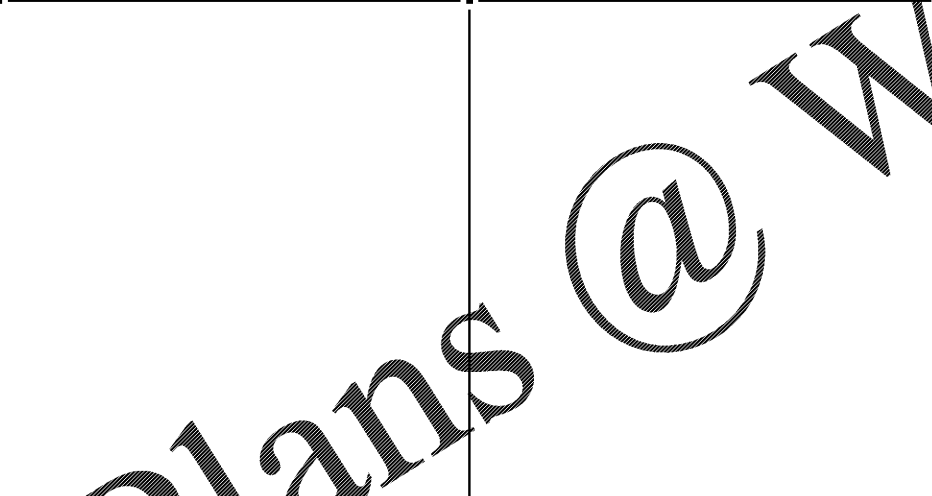
8 FLOOR DRAIN DETAIL NTS



9 GREASE INTERCEPTOR DETAIL NTS



12 WALL HYDRANT INSTALLATION DETAIL NTS



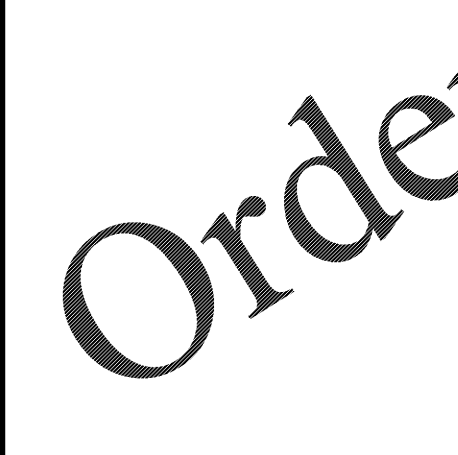
10 WATER SERVICE ENTRANCE DETAIL NTS



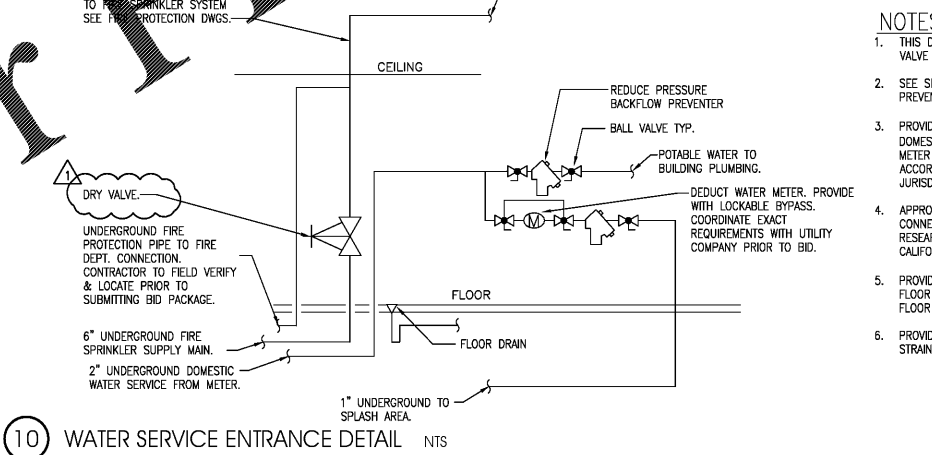
11 FLOOR DRAIN W/ TRAP PRIMER DETAIL NTS



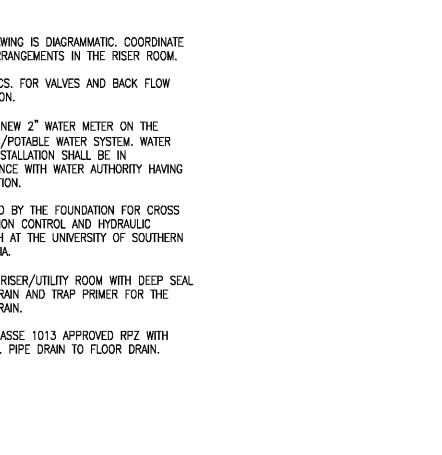
6 THERMAL MIXING VALVE DETAIL NTS



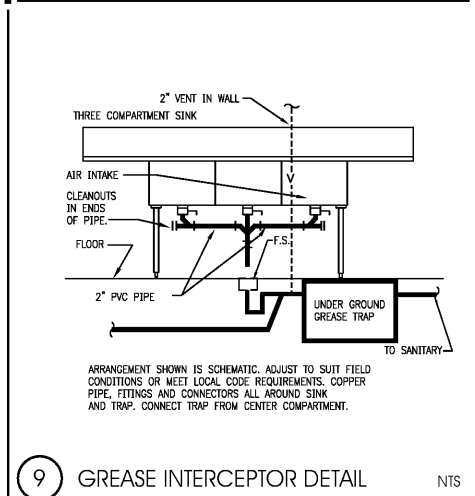
10 WATER SERVICE ENTRANCE DETAIL NTS



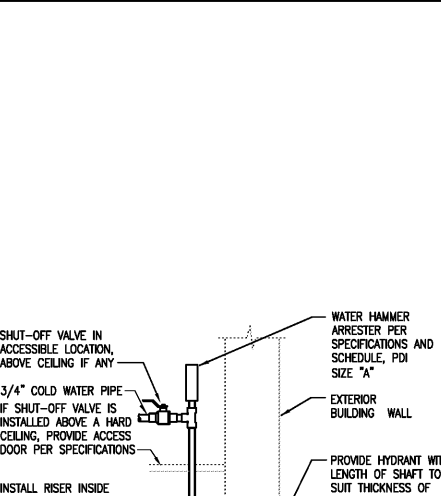
10 WATER SERVICE ENTRANCE DETAIL NTS



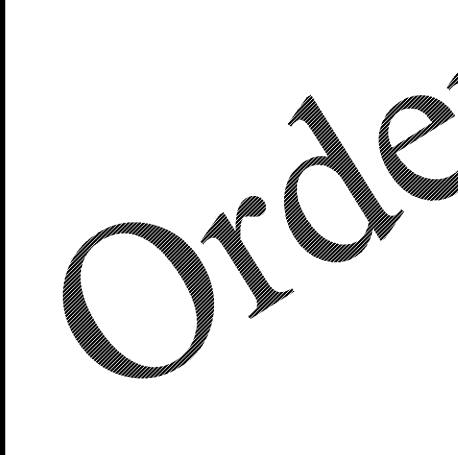
10 WATER SERVICE ENTRANCE DETAIL NTS



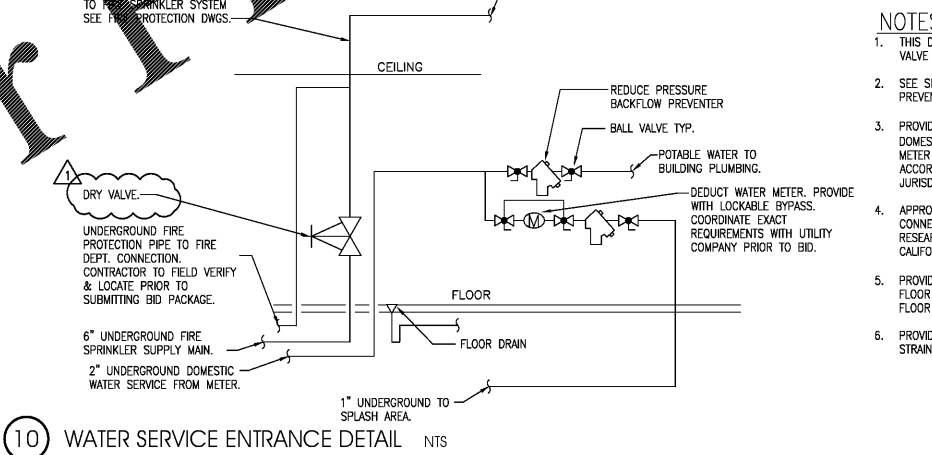
10 WATER SERVICE ENTRANCE DETAIL NTS



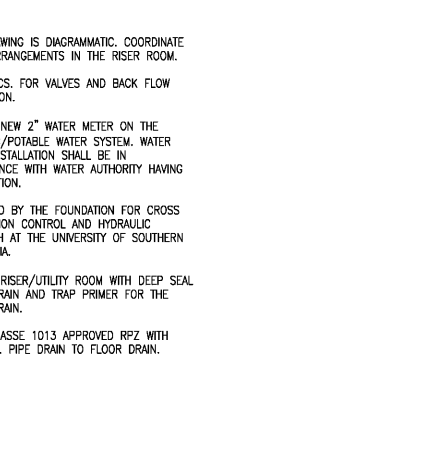
10 WATER SERVICE ENTRANCE DETAIL NTS



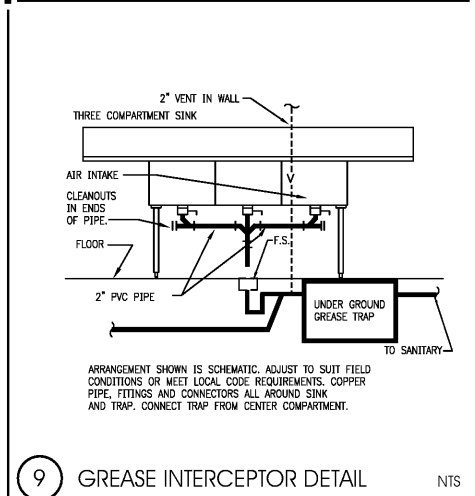
10 WATER SERVICE ENTRANCE DETAIL NTS



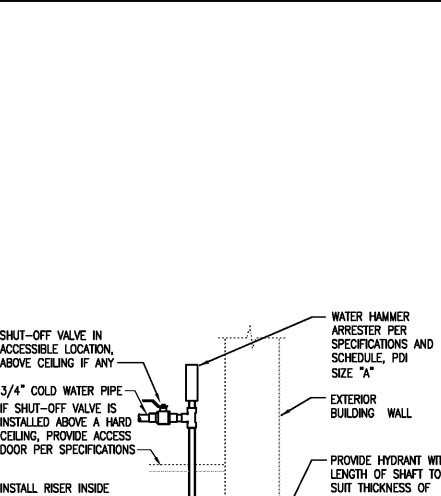
10 WATER SERVICE ENTRANCE DETAIL NTS



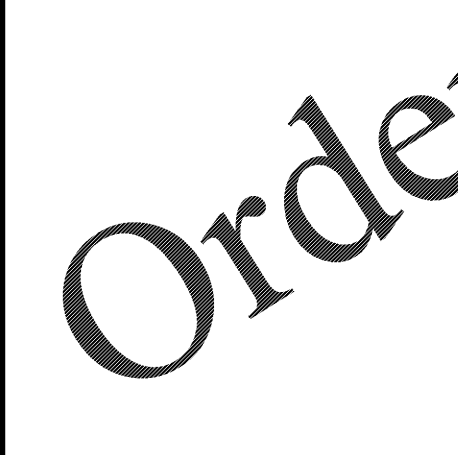
10 WATER SERVICE ENTRANCE DETAIL NTS



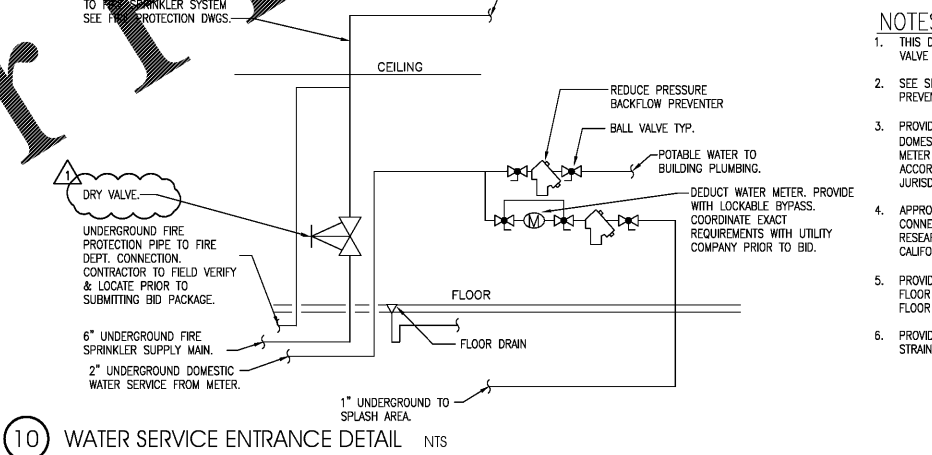
10 WATER SERVICE ENTRANCE DETAIL NTS



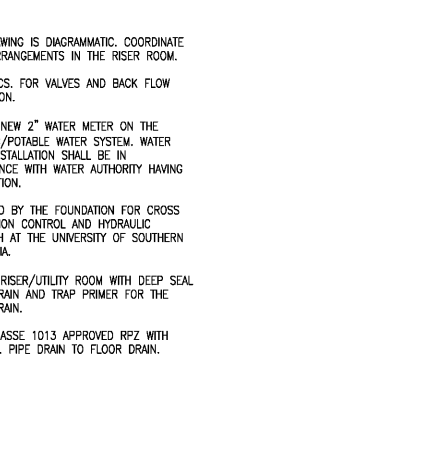
10 WATER SERVICE ENTRANCE DETAIL NTS



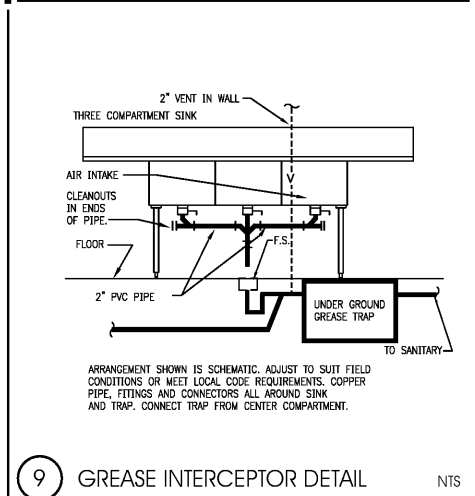
10 WATER SERVICE ENTRANCE DETAIL NTS



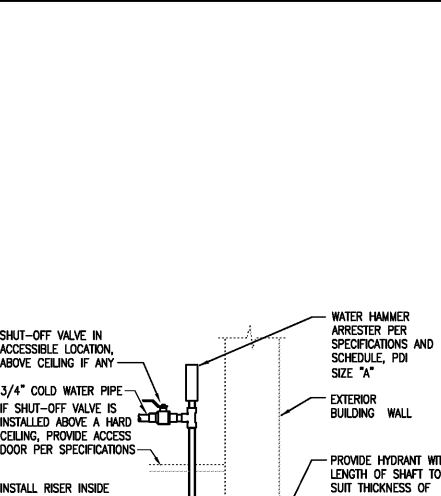
10 WATER SERVICE ENTRANCE DETAIL NTS



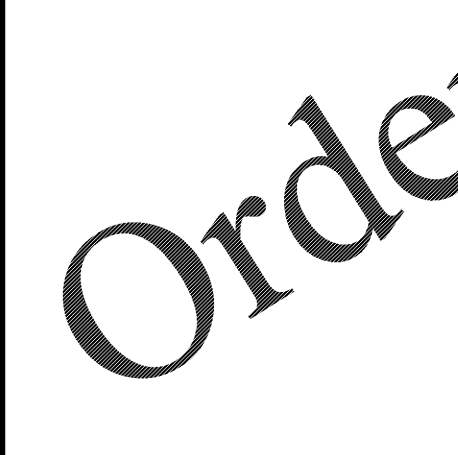
10 WATER SERVICE ENTRANCE DETAIL NTS



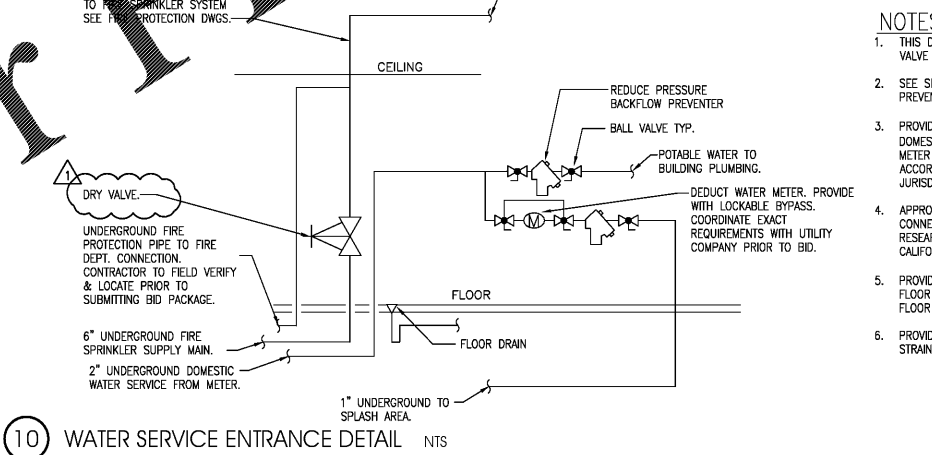
10 WATER SERVICE ENTRANCE DETAIL NTS



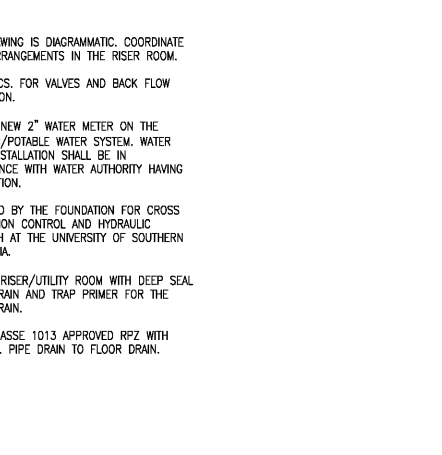
10 WATER SERVICE ENTRANCE DETAIL NTS



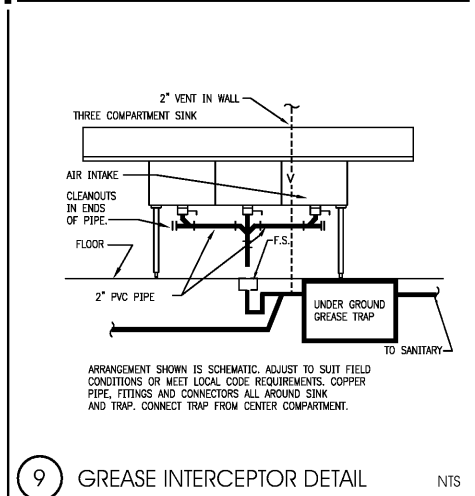
10 WATER SERVICE ENTRANCE DETAIL NTS



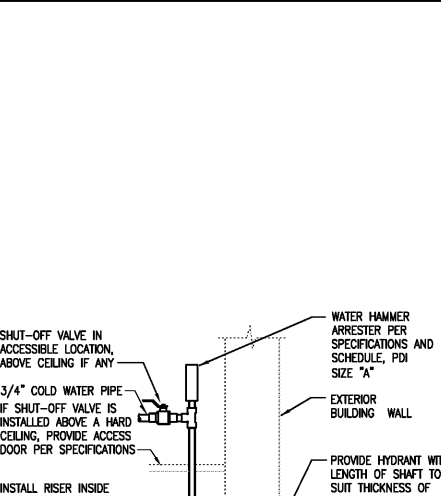
10 WATER SERVICE ENTRANCE DETAIL NTS



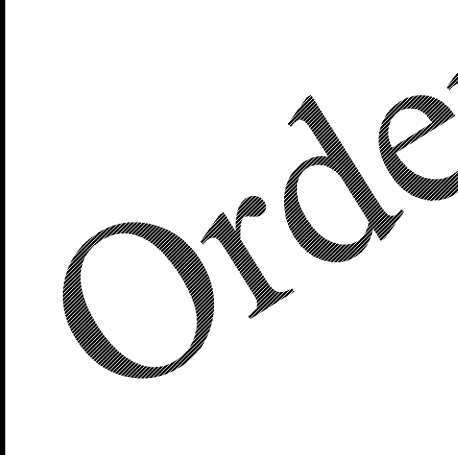
10 WATER SERVICE ENTRANCE DETAIL NTS



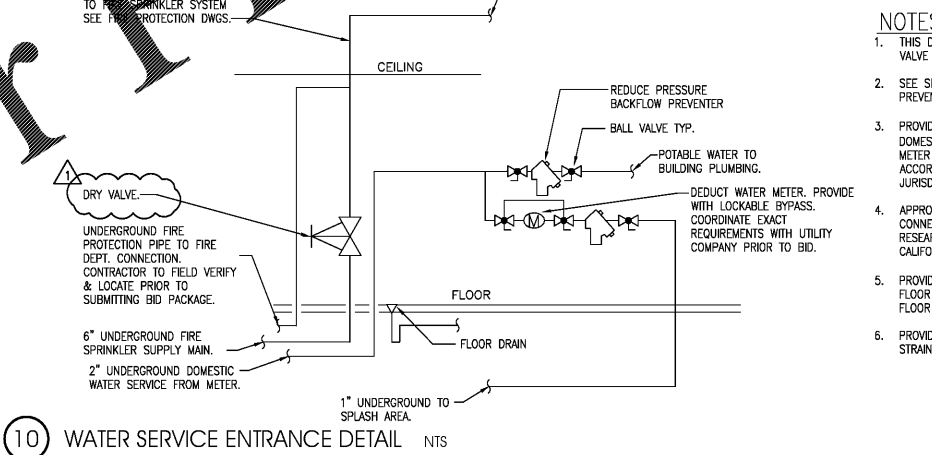
10 WATER SERVICE ENTRANCE DETAIL NTS



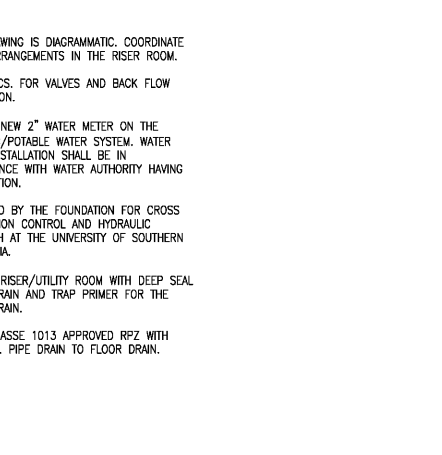
10 WATER SERVICE ENTRANCE DETAIL NTS



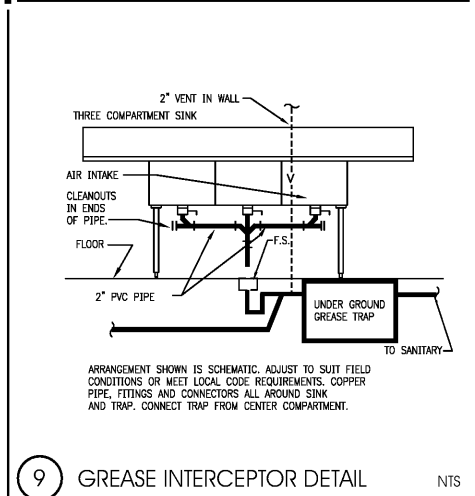
10 WATER SERVICE ENTRANCE DETAIL NTS



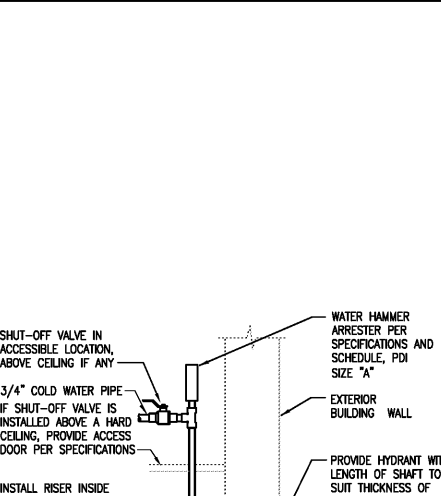
10 WATER SERVICE ENTRANCE DETAIL NTS



10 WATER SERVICE ENTRANCE DETAIL NTS



10 WATER SERVICE ENTRANCE DETAIL NTS



10 WATER SERVICE ENTRANCE DETAIL NTS

