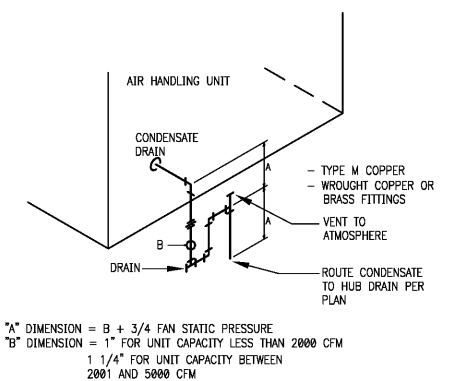
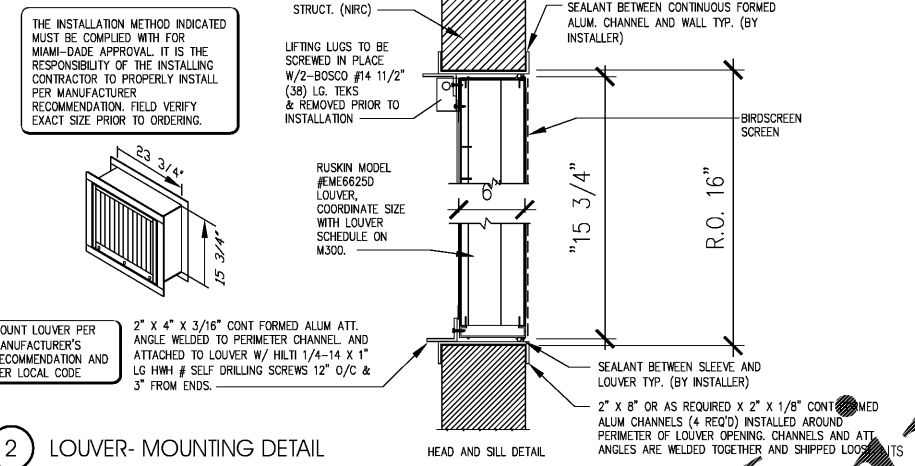


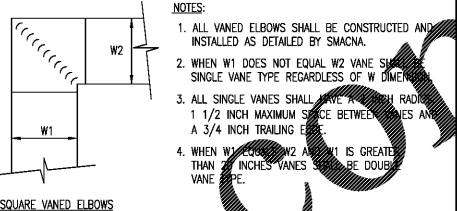
4 TYPICAL AIR HANDLING UNIT DETAIL NTS



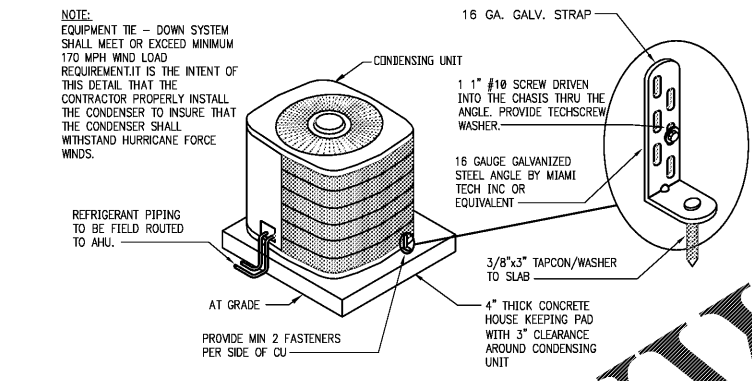
1 AHU CONDENSATE DRAIN DETAIL NTS



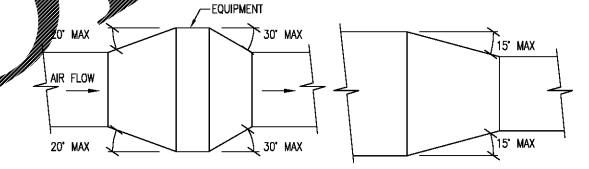
2 LOUVER-MOUNTING DETAIL NTS



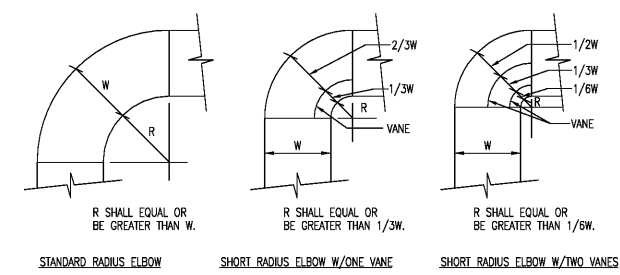
3 TYPICAL SQUARE VANED DUCT DETAIL NTS



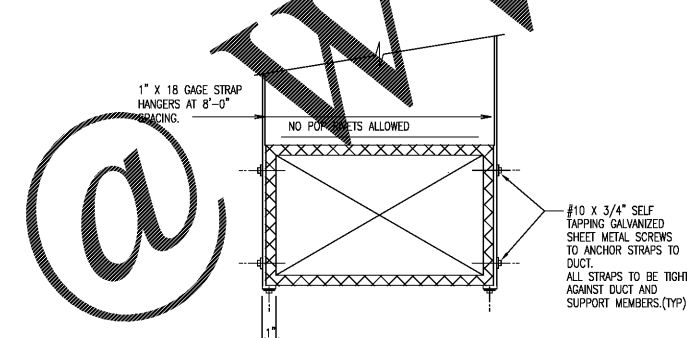
5 CONDENSER TIE-DOWN DETAIL NTS



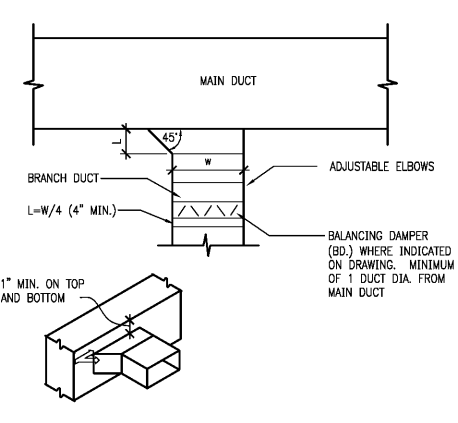
6 TYPICAL DUCT TRANSITION DETAIL NTS



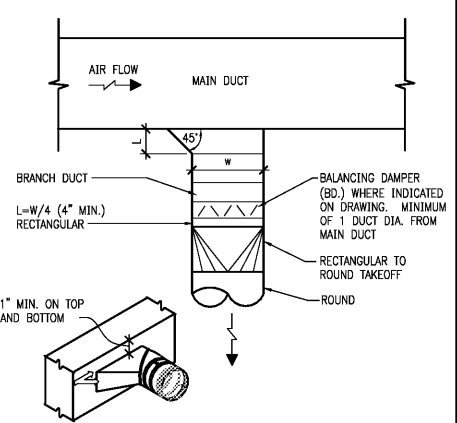
7 TYPICAL DUCT RADIUS DETAIL NTS



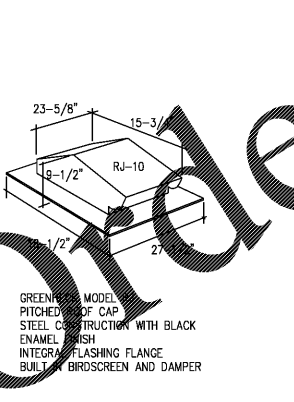
8 TYPICAL DUCT STRAP HANGER DETAIL NTS



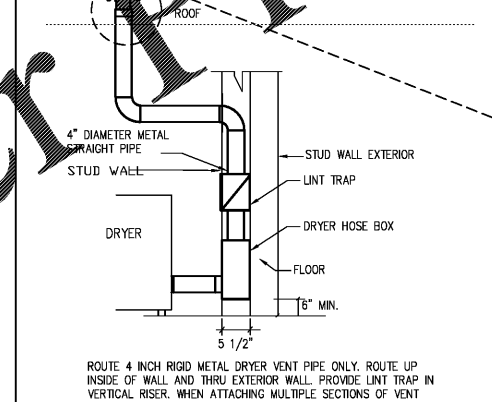
9 RECTANGULAR BRANCH CONNECT NTS



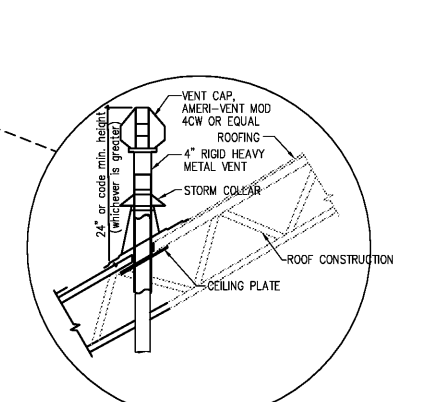
10 ROUND BRANCH CONNECTION NTS



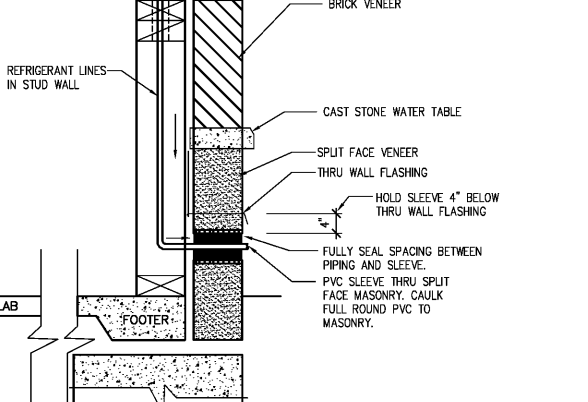
11 ROOF CAP DETAIL NTS



12 DRYER EXHAUST VENT DETAIL NTS



13 REFRIGERANT LINES DETAIL NTS



13 REFRIGERANT LINES DETAIL NTS

NO. DATE REMARKS
REVISIONS



RAINBOW CHILD CARE CENTER
C - PROTOTYPE
2609 W. LAKE MARY BLVD.
LAKE MARY, FL 32746

PROJECT NO: 2017.0250
DATE: 12.22.17

M.400
MECHANICAL DETAILS

CHECKED: JL DRAWN: PH

Order Plans

@ WWW.LDILLINE.COM

COPYRIGHT © 2017 INTERPLANS, INC. ALL RIGHTS RESERVED. THIS DOCUMENT IS THE ORIGINAL. IT IS NOT TO BE REPRODUCED, COPIED, OR TRANSMITTED IN ANY FORM OR BY ANY MEANS, WITHOUT THE WRITTEN PERMISSION OF INTERPLANS, INC.