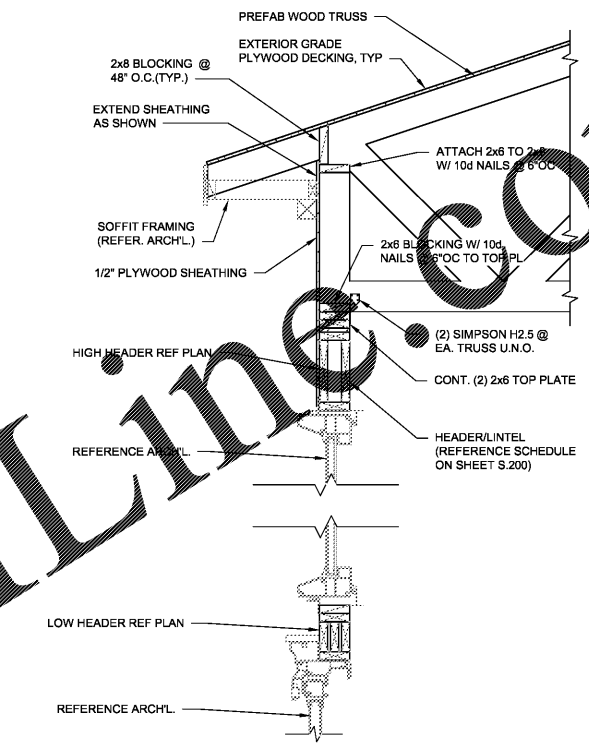
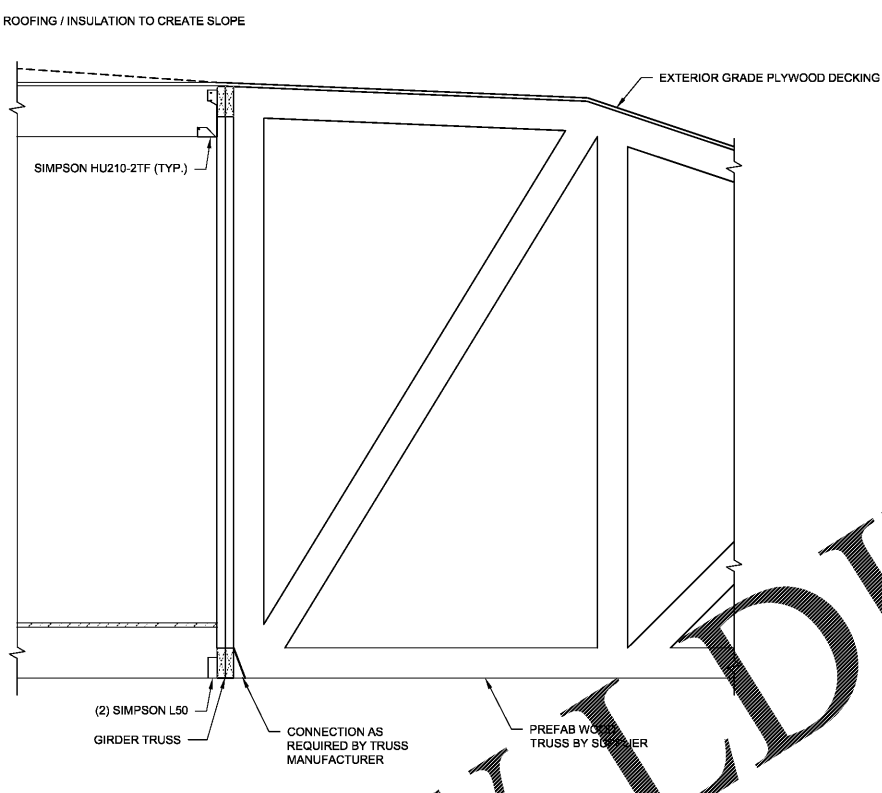
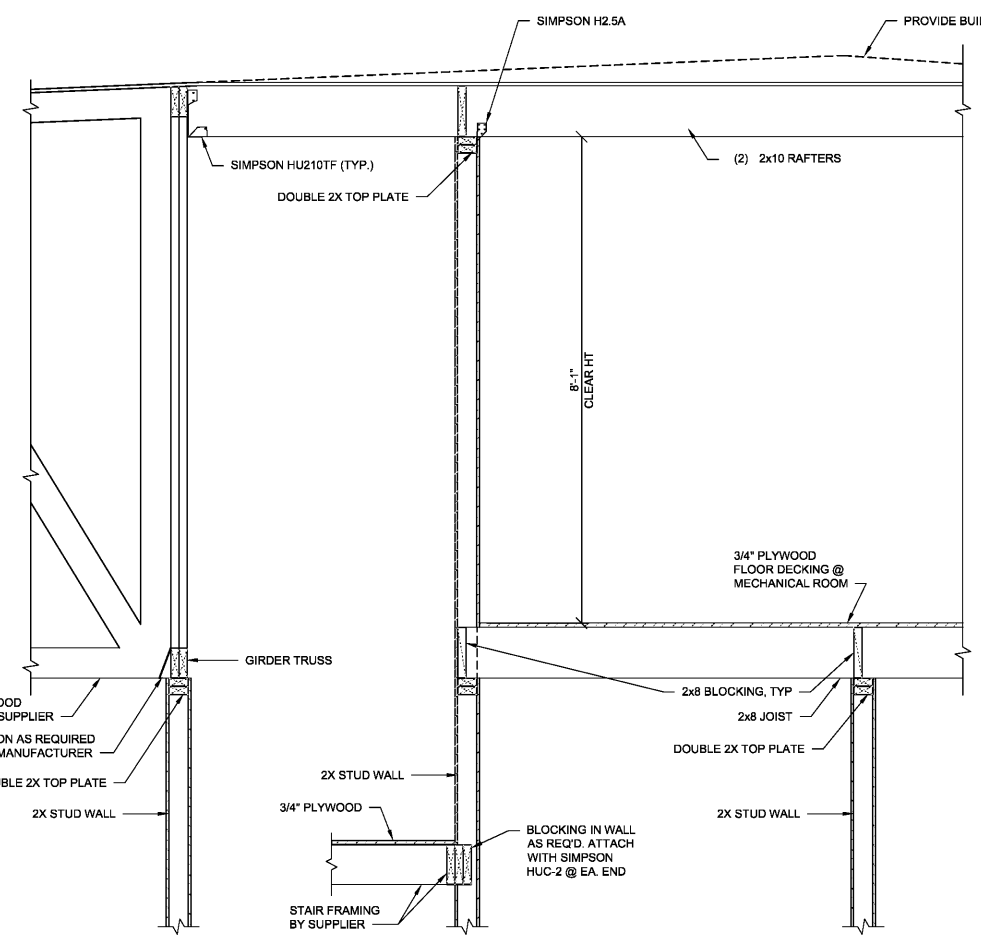


SEAL:
THIS DOCUMENT IS NOT FOR CONSTRUCTION
UNLESS THE ARCHITECT OR ENGINEER'S
SIGNATURE AND SEAL APPEAR BELOW

NOT FOR
CONSTRUCTION

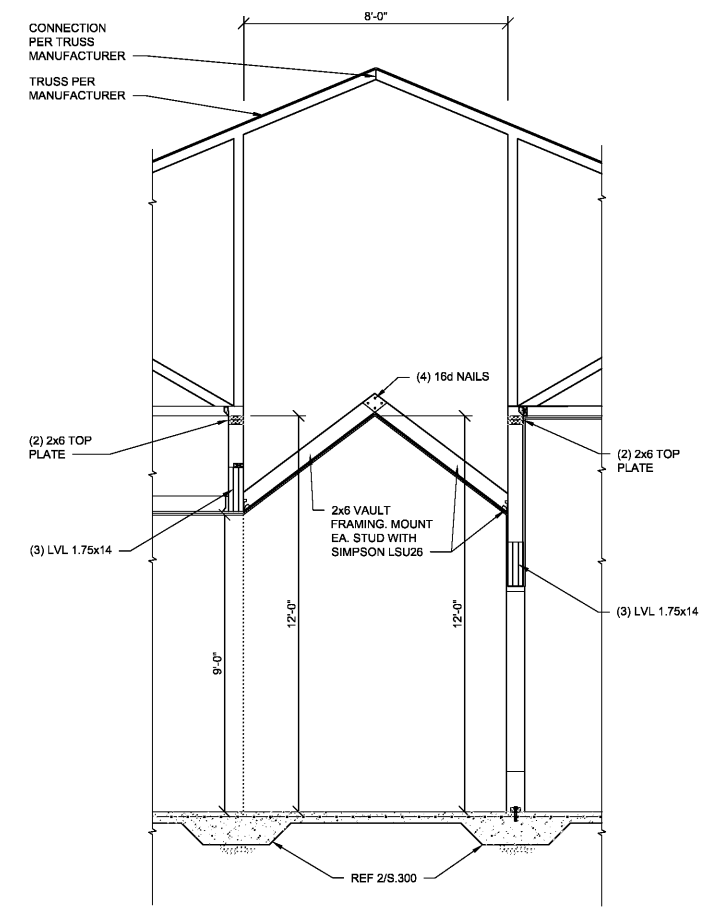
BID SET
04-10-18

BRITT PETERS
AND
ASSOCIATES
INC.
consulting engineers
999 Waterside Dr.
Suite 2202
Norfolk, VA 23510
(757) 955-5710
www.brittpeters.com
BPA Job No. 170784

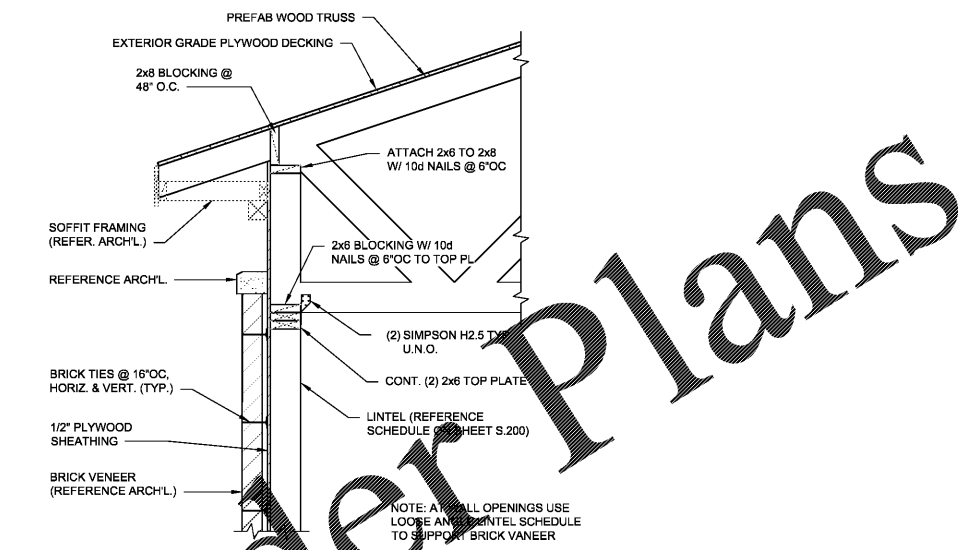


SECTION 2
3/4\" = 1'-0\" S.301

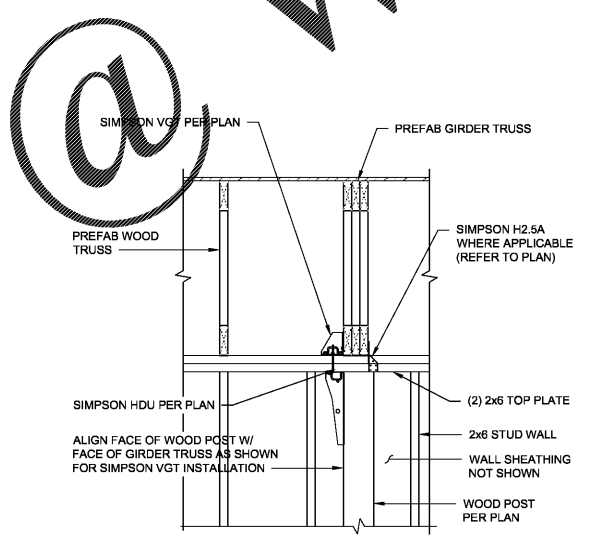
SECTION 1
3/4\" = 1'-0\" S.301



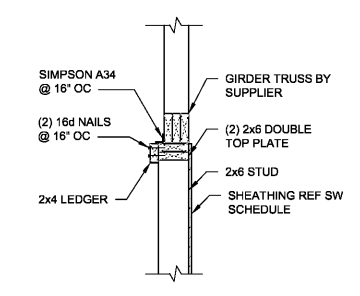
SECTION 4
3/8\" = 1'-0\" S.301



SECTION 5
3/4\" = 1'-0\" S.301



SECTION 6
3/4\" = 1'-0\" S.301



SECTION 7
3/4\" = 1'-0\" S.301

NO. DATE REMARKS
REVISIONS



RAINBOW CHILD CARE CENTER
C - PROTOTYPE
LAKE MARY BLVD & 5TH STREET
LAKE MARY, FL 32746

PROJECT NO: 2017.0250
DATE: 08/23/2017

S.301
ROOF SECTIONS

CHECKED: SH DRAWN: ES

Order Plans

WWW.LDILine.com

BPA RESERVES COPYRIGHT & OTHER RIGHTS RESTRICTING THESE DOCUMENTS TO THE ORIGINAL USE OR PURPOSE FOR WHICH THEY WERE PREPARED. REPRODUCTION, REPRODUCTION, CHANGES OR ASSIGNMENTS ARE PROHIBITED. COPYRIGHT © 2017