

**GENERAL NOTES:**  
 1. PROVIDE FILLERS AS REQ'D @ CABINET/WALL INTERSECTIONS TO ALLOW FOR PROPER DOOR/DRAWER SWING CLEARANCES  
 2. ALL PAPER TOWEL, TOILET PAPER AND SOAP DISPENSERS ARE TO BE PROVIDED BY OWNER AND INSTALLED BY G.C.  
 3. G.C. TO INSTALL ALL OWNER PROVIDED EQUIP. PER MANUF. SPECS.  
 4. G.C. TO PROVIDE SHOP DRAWINGS PRIOR TO FABRICATION FOR OWNER APPROVAL. G.C. ALSO TO PROVIDE AND INSTALL ALL CABINETS, COUNTERTOPS, AND HARDWARE.  
 5. ALL BUILD-INS TO BE COORDINATED WITH M.E.P. TO DETERMINE EMERGENCY FIRE AND LIGHTING REQ'S.  
 6. ALL COUNTERTOPS IN CHILDREN'S ROOMS, RESTROOMS, AND LOUNGE SHALL BE POST-FORMED, ROLL TOP WITH NO DRIP EDGES.  
 7. ALL COUNTERTOPS SHALL HAVE RADIUS CORNERS. NO SHARP EDGES SHALL BE PERMITTED.

NOT FOR CONSTRUCTION

BID SET  
 04-10-18

NO.	DATE	REMARKS

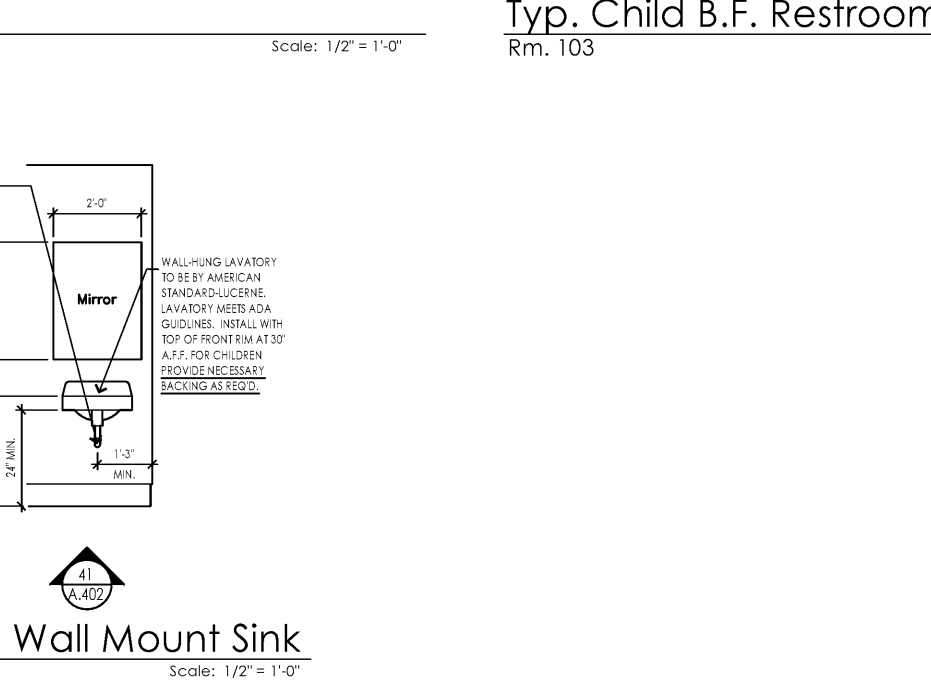
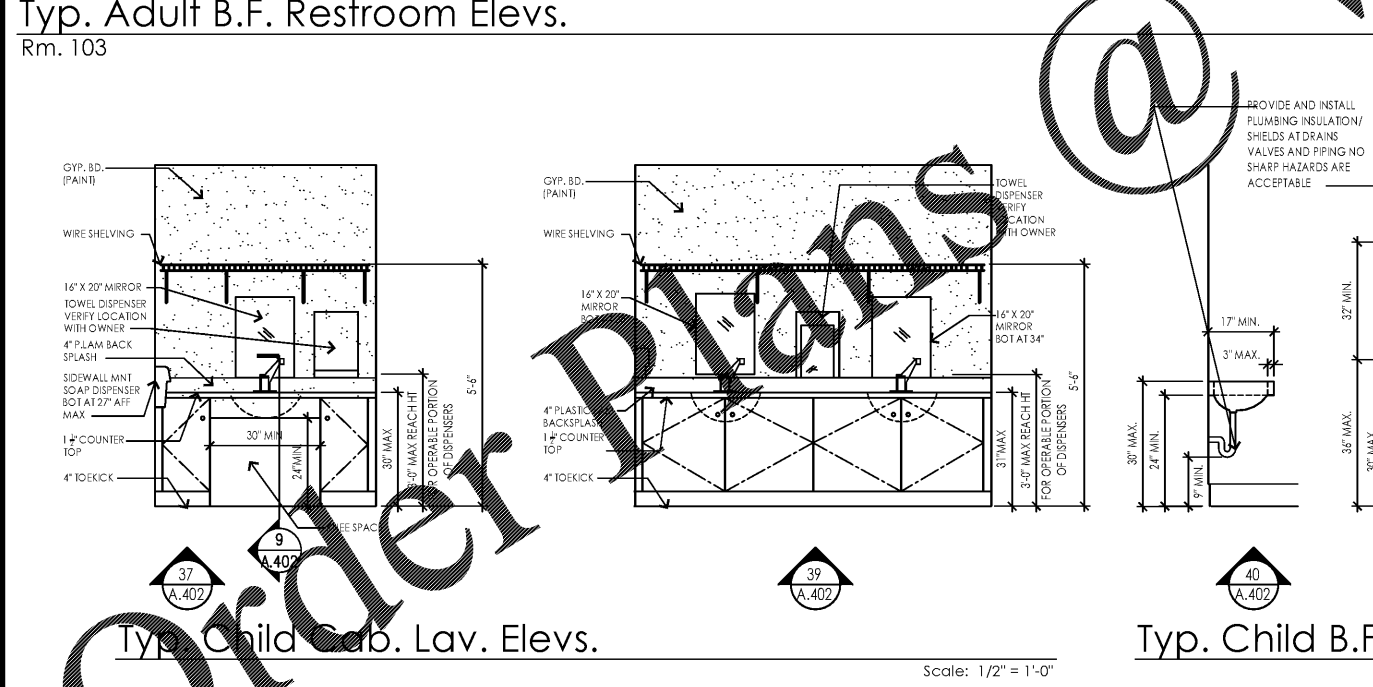
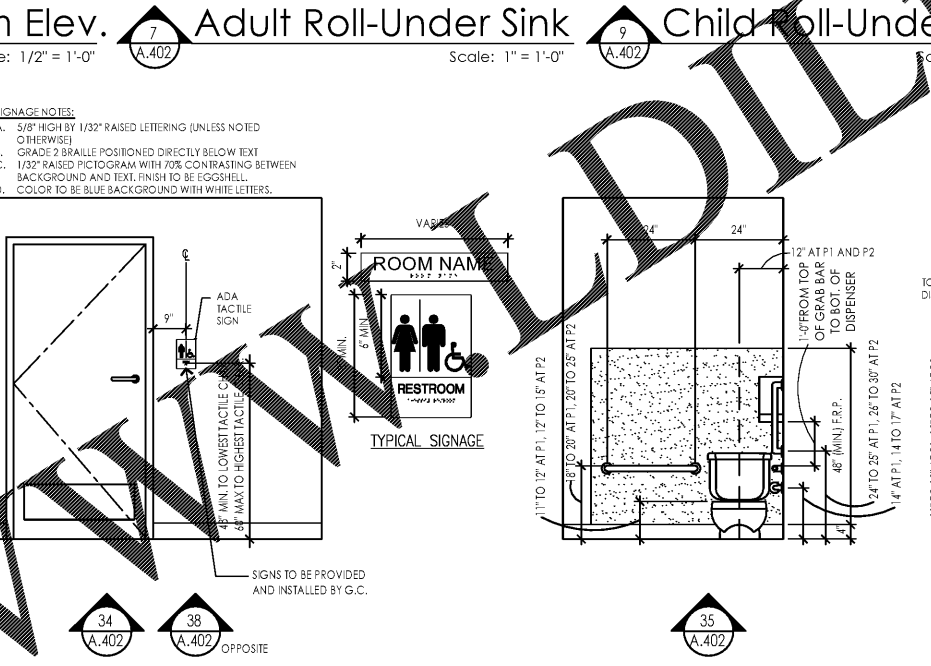
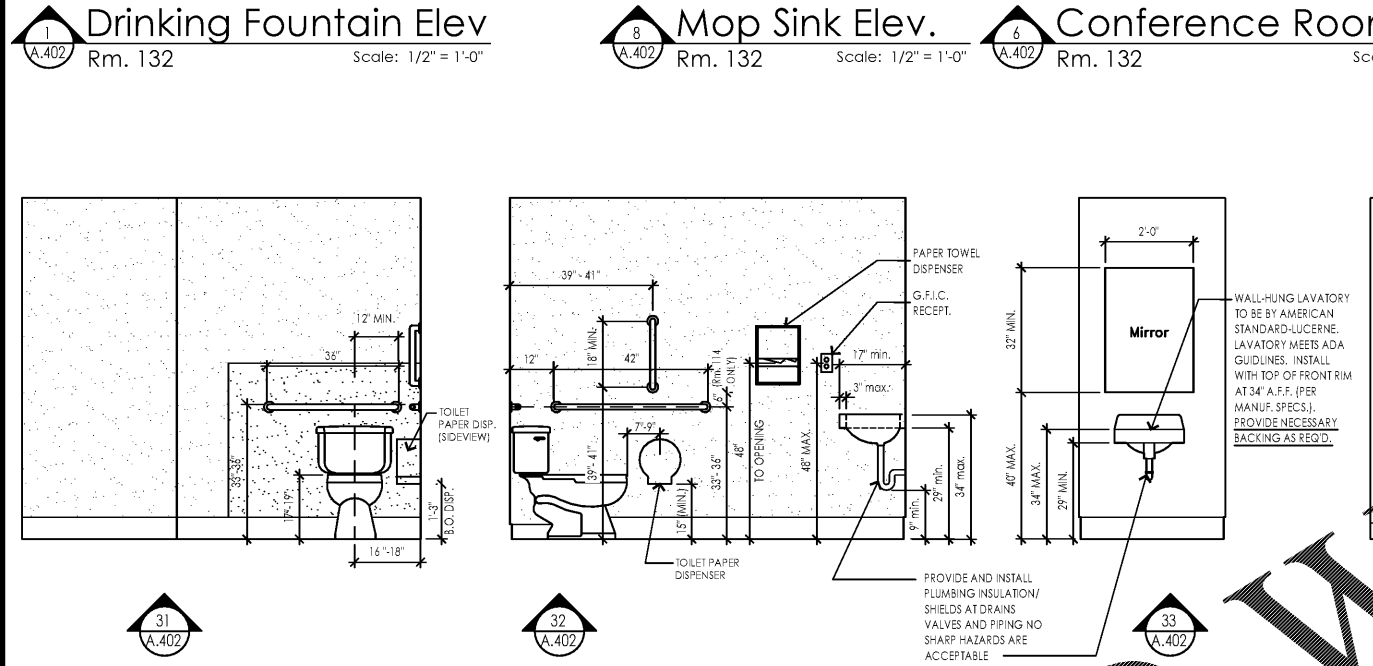
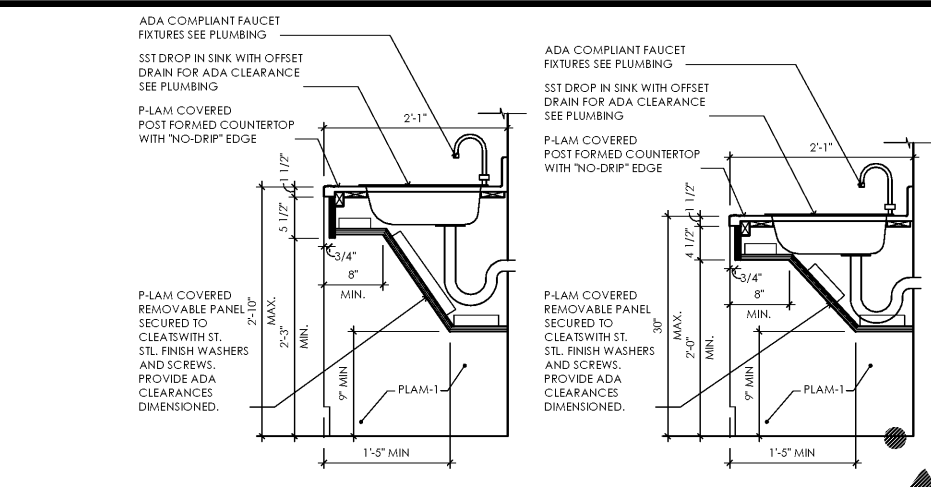
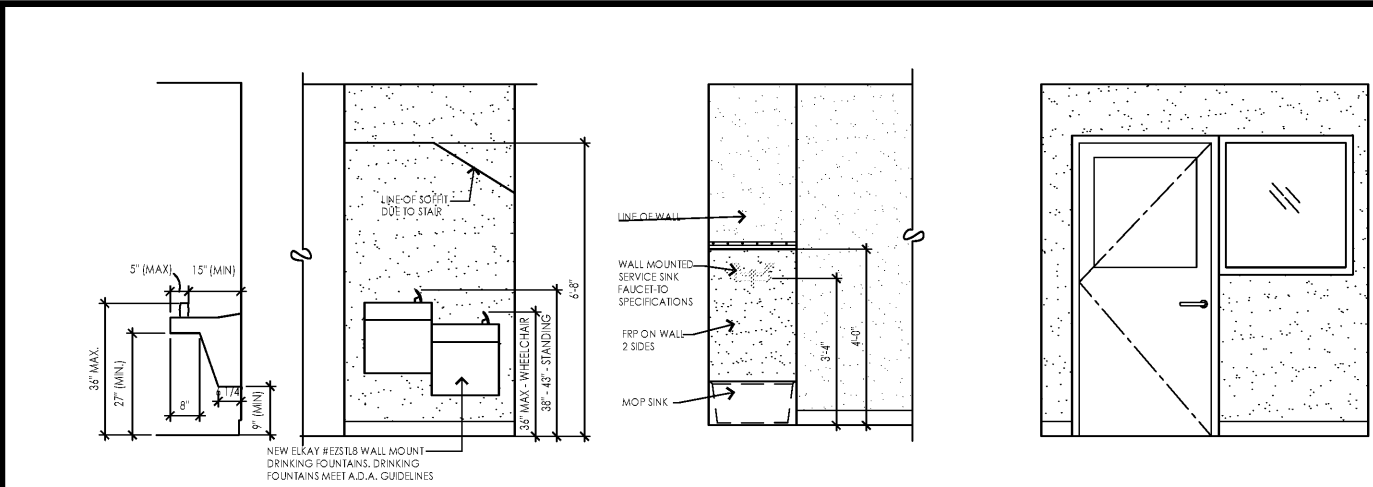


**RAINBOW CHILD CARE CENTER**  
 C - PROTOTYPE  
 2609 W. LAKE MARY BLVD.  
 LAKE MARY, FL 32746

PROJECT NO: 2017.0250  
 DATE: 12.22.17

**A.402**  
 INTERIOR ELEVATIONS

CHECKED: RC DRAWN: JC



**Order Plans**

**WALL MOUNTED**

**SIGNAGE NOTES:**  
 A. 5/8" HIGH BY 1/32" RAISED LETTERING (UNLESS NOTED OTHERWISE)  
 B. GRADE 2 BRAILLE POSITIONED DIRECTLY BELOW TEXT  
 C. 1/32" RAISED PICTOGRAM WITH 70% CONTRASTING BETWEEN BACKGROUND AND TEXT. FINISH TO BE EGGSHELL.  
 D. COLOR TO BE BLUE BACKGROUND WITH WHITE LETTERS.

OPPOSITE

PROVIDE AND INSTALL PLUMBING INSULATION/SHIELDS AT DRAINS VALVES AND PIPING NO SHARP HAZARDS ARE ACCEPTABLE

WALL-HUNG LAVATORY TO BE BY AMERICAN STANDARD-LUCERNE. LAVATORY MEETS ADA GUIDELINES. INSTALL WITH TOP OF FRONT RIM AT 30" A.F.F. FOR CHILDREN PROVIDE NECESSARY BACKING AS REQ'D.

OPPOSITE

PROVIDE AND INSTALL PLUMBING INSULATION/SHIELDS AT DRAINS VALVES AND PIPING NO SHARP HAZARDS ARE ACCEPTABLE

OPPOSITE