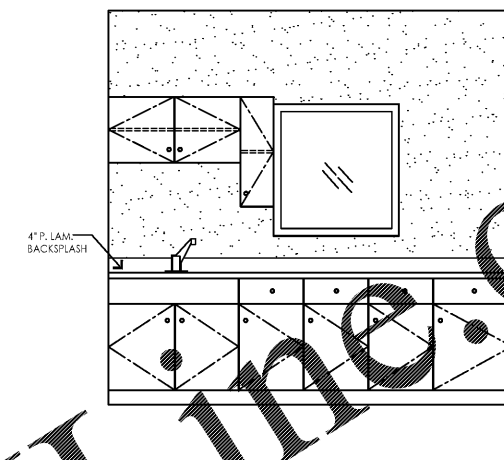
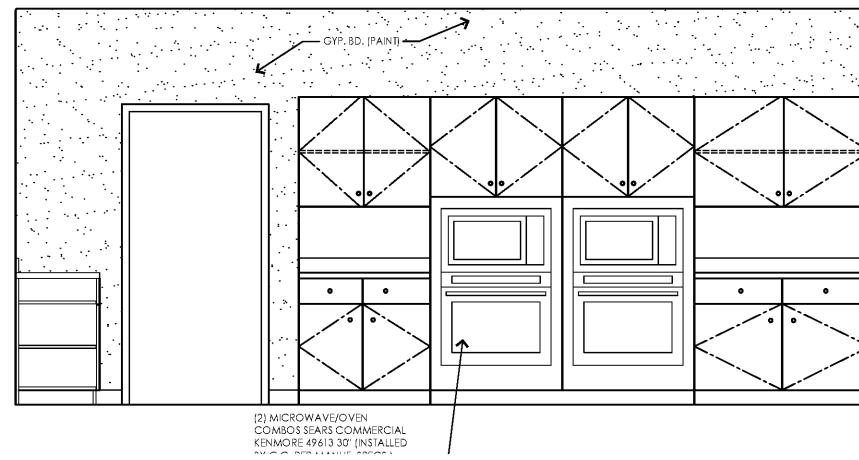
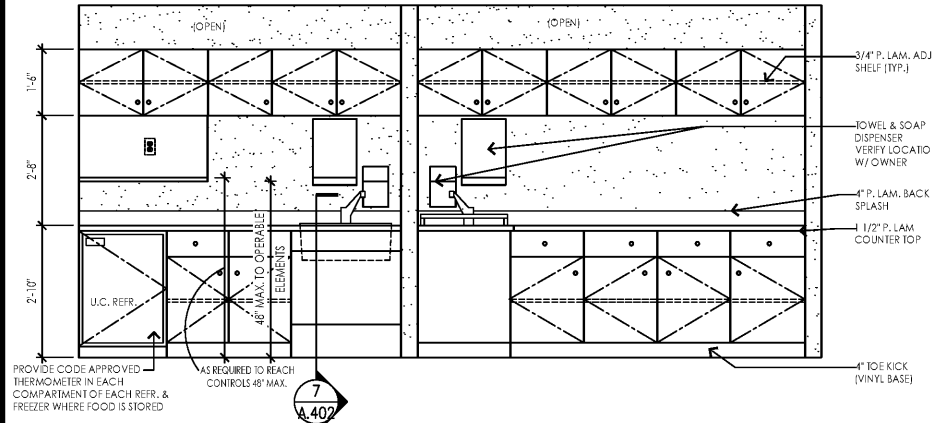


Kitchen Elev
Rm. 126

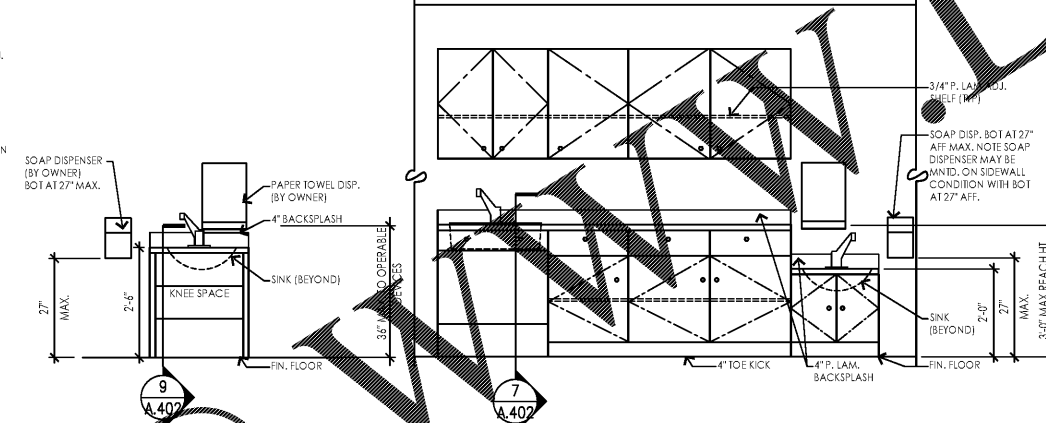


NOTE: ALL KITCHEN COUNTERS SHALL BE STANDARD P. LAM TOPS

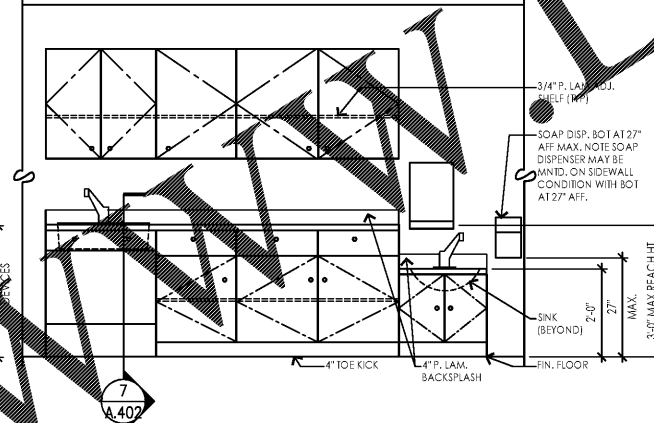
Scale: 1/2" = 1'-0"



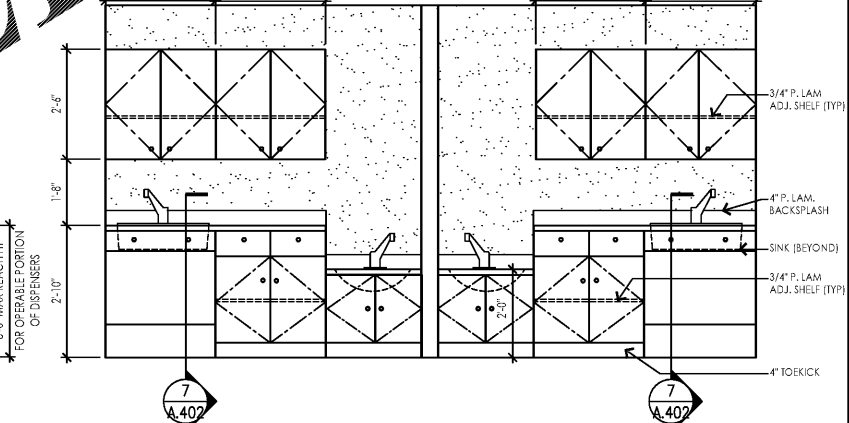
23 Infant Changing Station Elev
Rms. 104, 124 & 125
Scale: 1/2" = 1'-0"



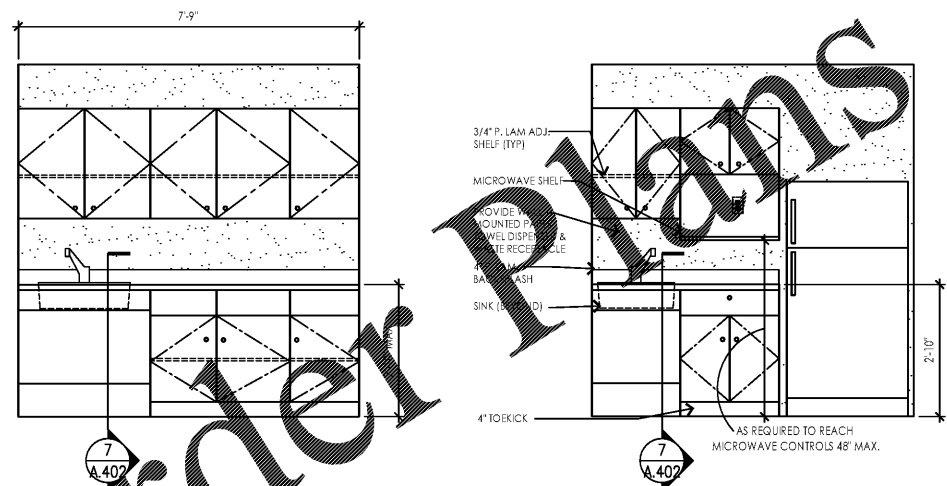
24 Sink Base Elev
Scale: 1/2" = 1'-0"



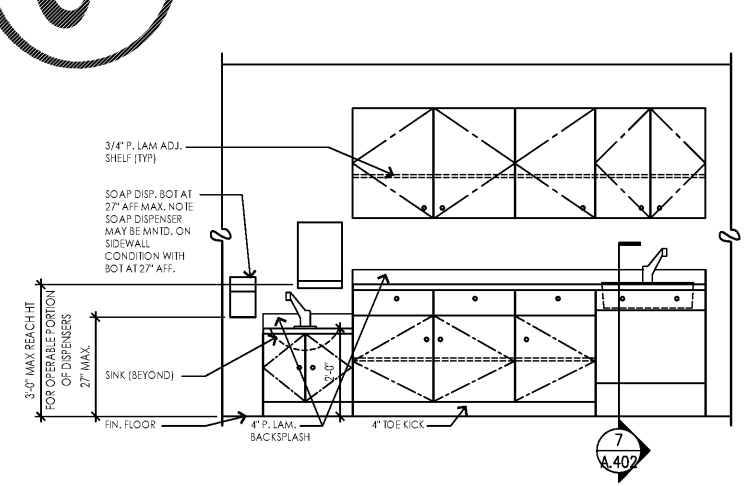
25 Built-in Elev.
Rm. 109
Scale: 1/2" = 1'-0"



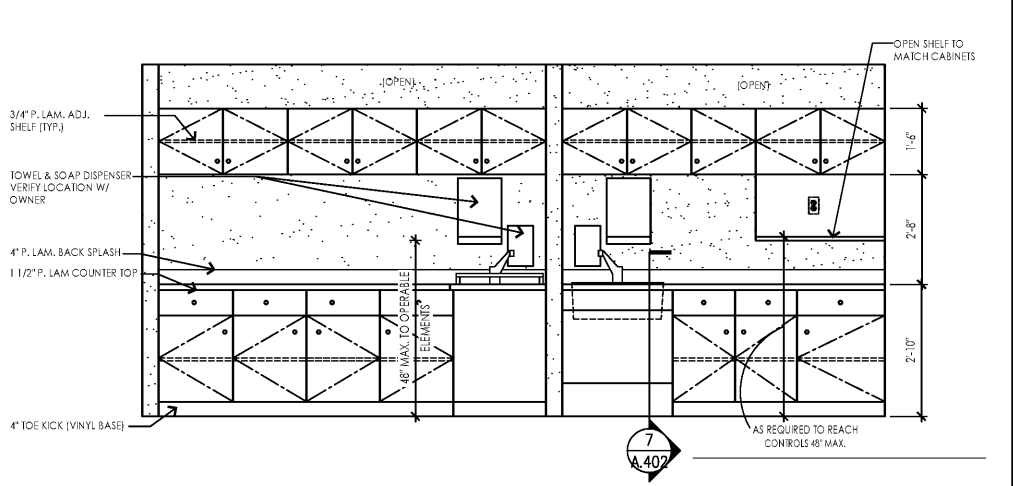
26 Built-in Elev.
Rms. 137 & 112
Scale: 1/2" = 1'-0"



27 Built-in Elev.
Rm. 106
Scale: 1/2" = 1'-0"



29 Built-in Elev.
Rm. 134
Scale: 1/2" = 1'-0"



30 Infant Changing Station Elev
Rms. 119 & 121
Scale: 1/2" = 1'-0"

MILLWORK NOTES:
1. ALL COUNTERTOPS IN CHILDREN'S ROOMS, RESTROOMS, AND LOUNGE SHALL BE POST FORMED, ROLL TOP - NO DRIP EDGES.
2. ALL COUNTERTOPS SHALL HAVE RADIUS CORNERS. NO SHARP EDGES SHALL BE PERMITTED.

NO.	DATE	REMARKS



RAINBOW CHILD CARE CENTER

C - PROTOTYPE
2609 W. LAKE MARY BLVD.
LAKE MARY, FL 32746

PROJECT NO: 2017.0250
DATE: 12.22.17

A.401
INTERIOR ELEVATIONS

CHECKED: RC DRAWN: JC

Order Plans

WWW.LDILLINE.COM