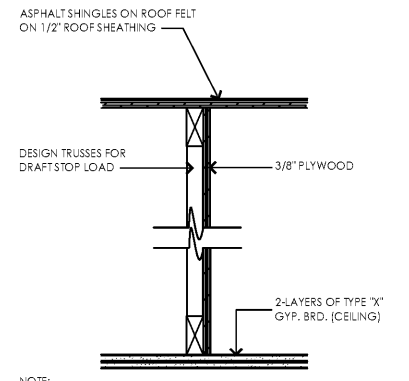
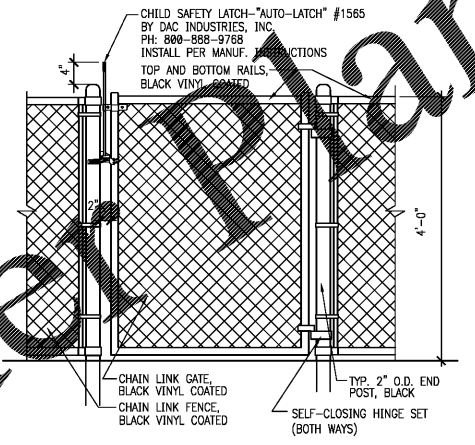


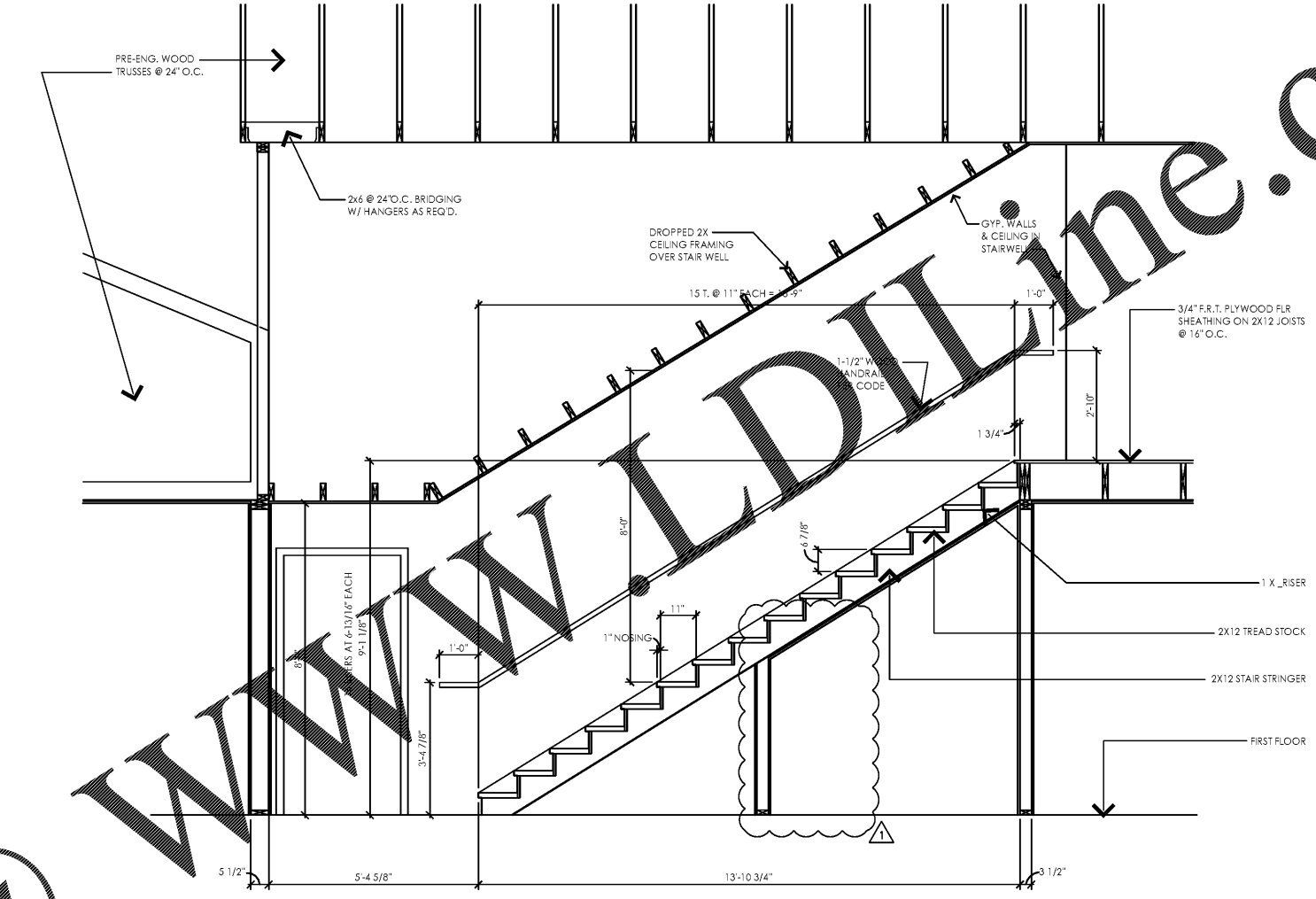
1
A.305 Typ. Draft Stop Access Plan Detail
Scale: 1-1/2" = 1'-0"



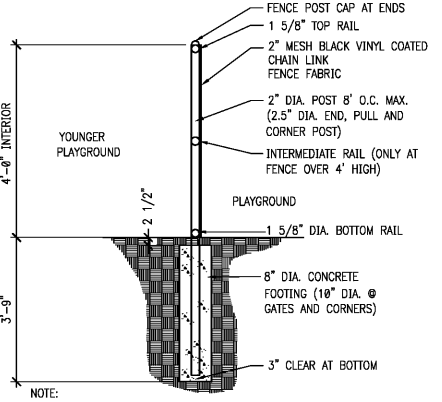
2
A.305 Typ. Draft Stop Sec. Detail
Scale: 1-1/2" = 1'-0"



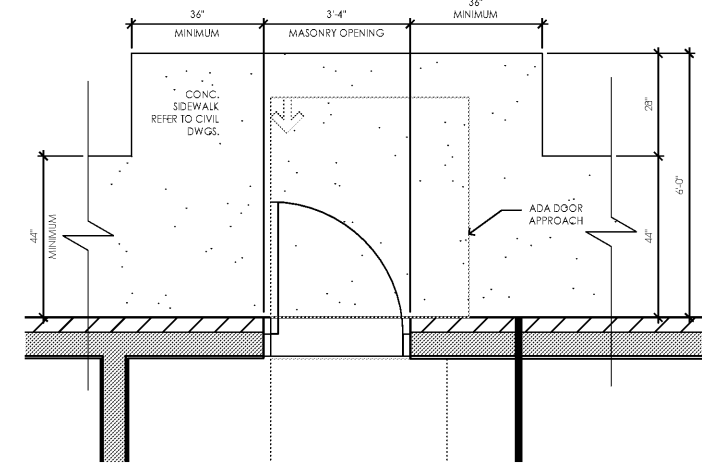
3
A.305 Typ. Fence Detail
Scale: 3/4" = 1'-0"



J
A.305 Stair Section
Scale: 1/2" = 1'-0"



4
A.305 Typ. Fence Post Detail
Scale: 1" = 1'-0"



5
A.305 Typ. Sidewalk @ Ext. Door
Scale: 1/2" = 1'-0"

1 03.08.18 FIRE DEPT. COMMENTS
NO. DATE REMARKS



RAINBOW CHILD CARE CENTER
C - PROTOTYPE
2609 W. LAKE MARY BLVD.
LAKE MARY, FL 32746

PROJECT NO: 2017.0250
DATE: 12.22.17

A.305
SECTION DETAILS

CHECKED: RC DRAWN: JC

Order Plans @

WWW.DIline.com

COPYRIGHT © 2018 INTERPLAN, LLC. RESERVE COPYRIGHT & OTHER RIGHTS RESTRICTING REPRODUCTION, CHANGE OR ASSIGNMENT ARE PROHIBITED.