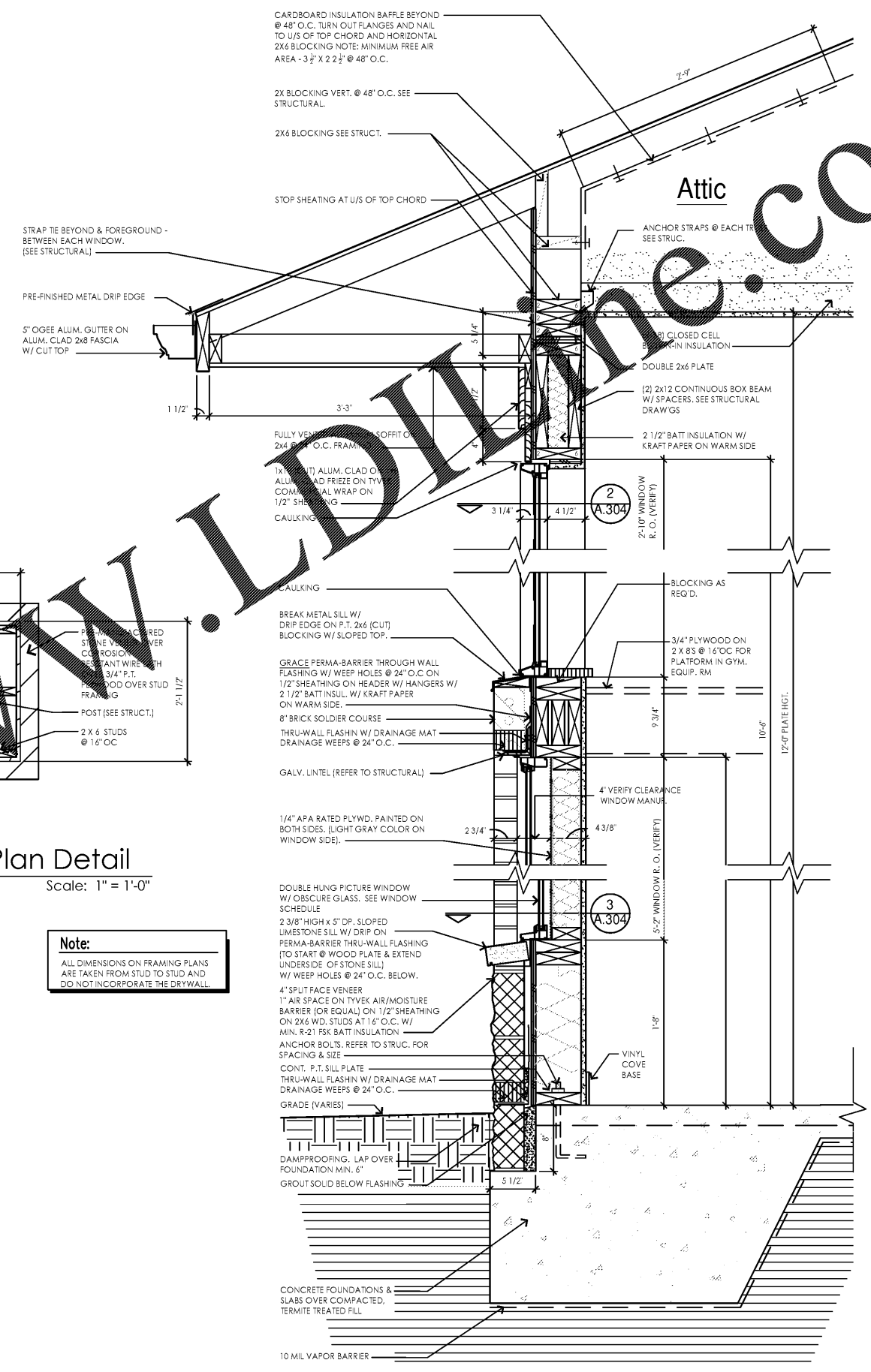


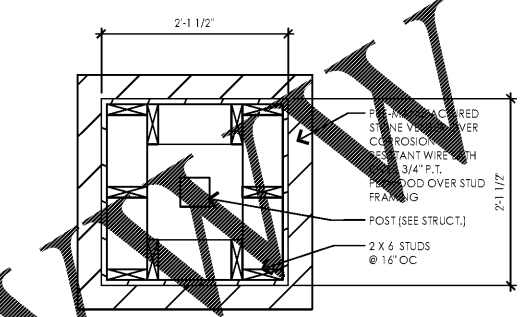
SEAL:
 THIS DOCUMENT IS **NOT FOR CONSTRUCTION**
 UNLESS THE ARCHITECT OR ENGINEER'S
 SIGNATURE AND SEAL APPEAR BELOW.

NOT FOR
 CONSTRUCTION

BID SET
 04-10-18

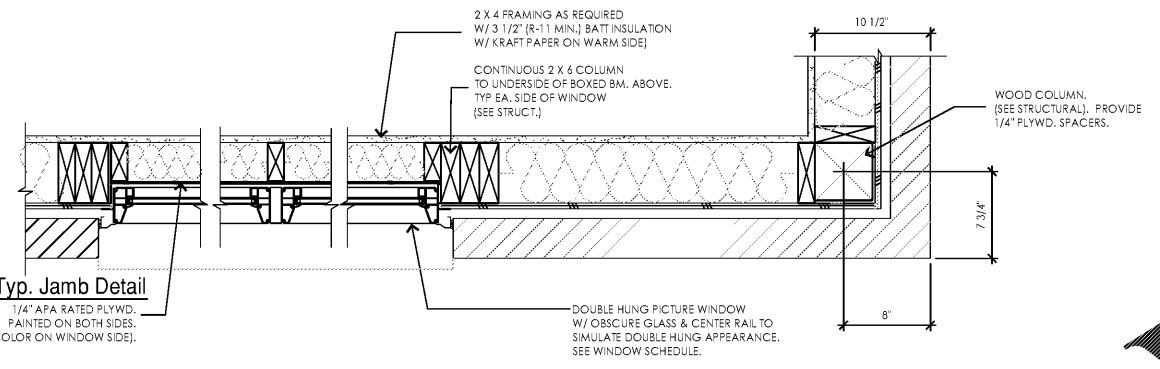


1 Wall Section @ Gym
 Scale: 1 1/2" = 1'-0"

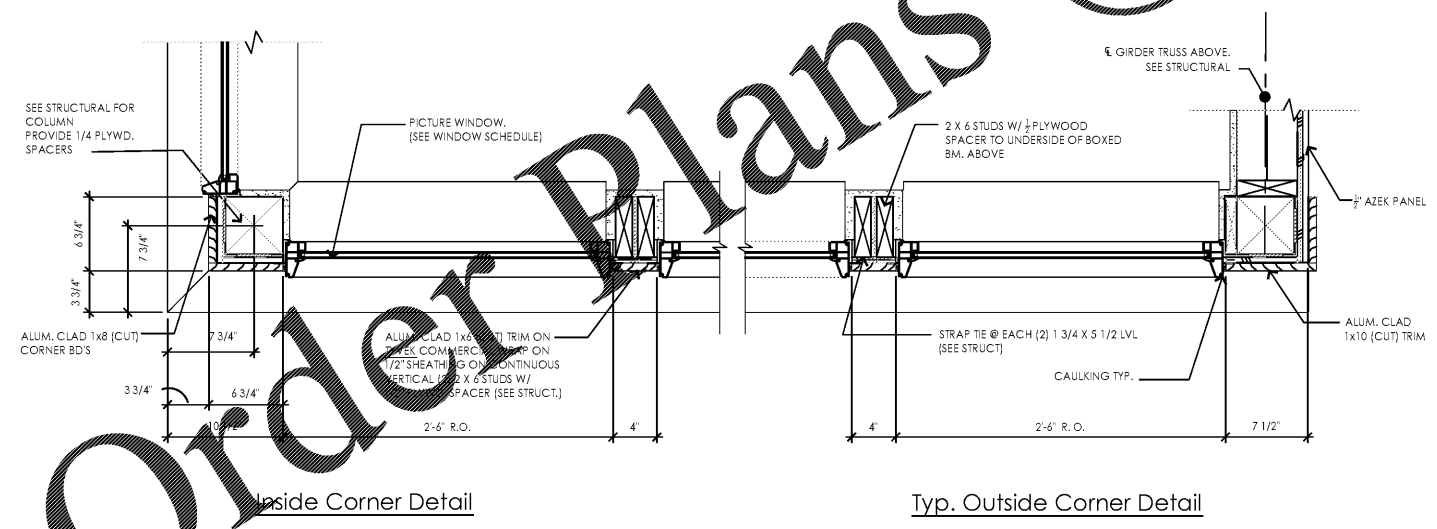


4 Column Plan Detail
 Scale: 1" = 1'-0"

Note:
 ALL DIMENSIONS ON FRAMING PLANS
 ARE TAKEN FROM STUD TO STUD AND
 DO NOT INCORPORATE THE DRYWALL.



3 Typ. Lower Window Plan Detail @ Front
 Elevation - Gym
 Scale: 1 1/2" = 1'-0"



2 Upper Window Plan Details @ Gym
 Scale: 1 1/2" = 1'-0"

NO.	DATE	REMARKS



RAINBOW CHILD CARE CENTER
 C - PROTOTYPE
 2609 W. LAKE MARY BLVD.
 LAKE MARY, FL 32746

PROJECT NO: 2017.0250
 DATE: 12.22.17

A.304
 WALL SECTIONS

CHECKED: RC DRAWN: JC