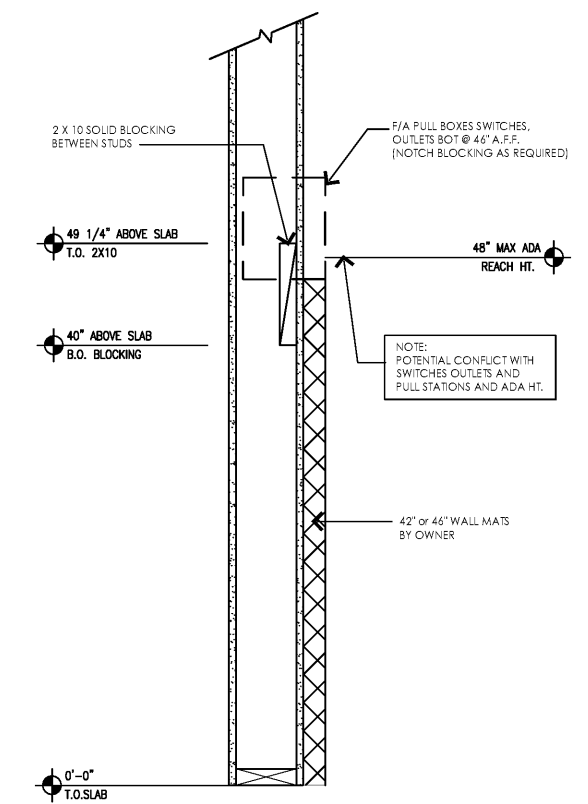


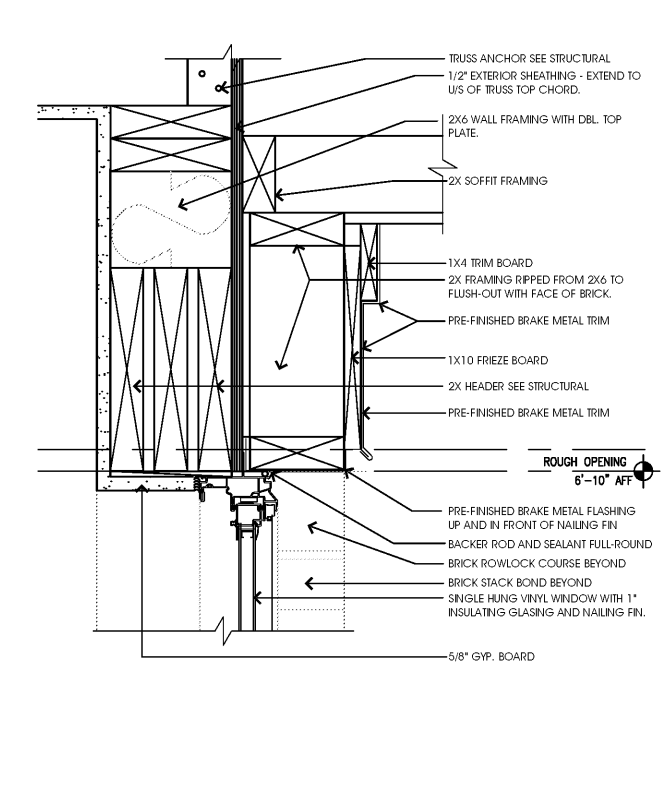
SEAL:  
 THIS DOCUMENT IS **NOT FOR CONSTRUCTION**  
 UNLESS THE ARCHITECT OR ENGINEER'S  
 SIGNATURE AND SEAL APPEAR BELOW.

NOT FOR  
 CONSTRUCTION

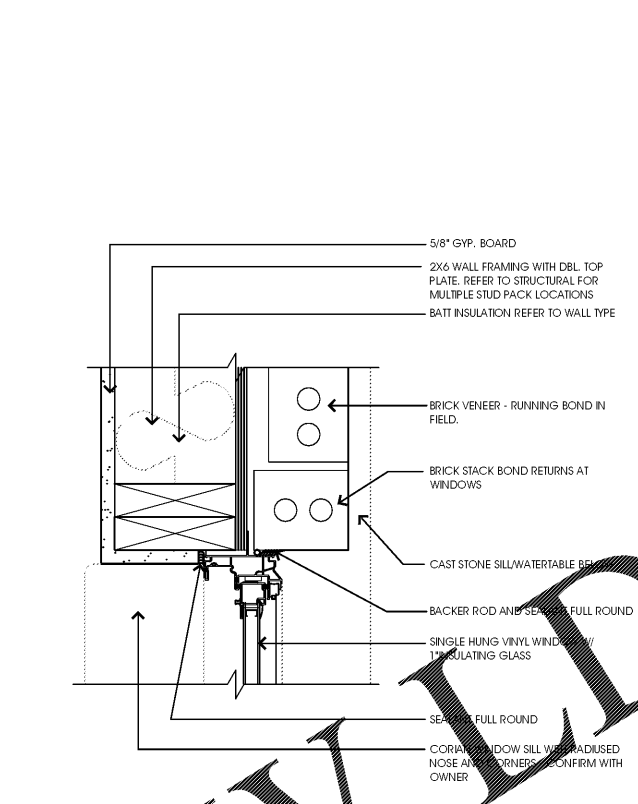
BID SET  
 04-10-18



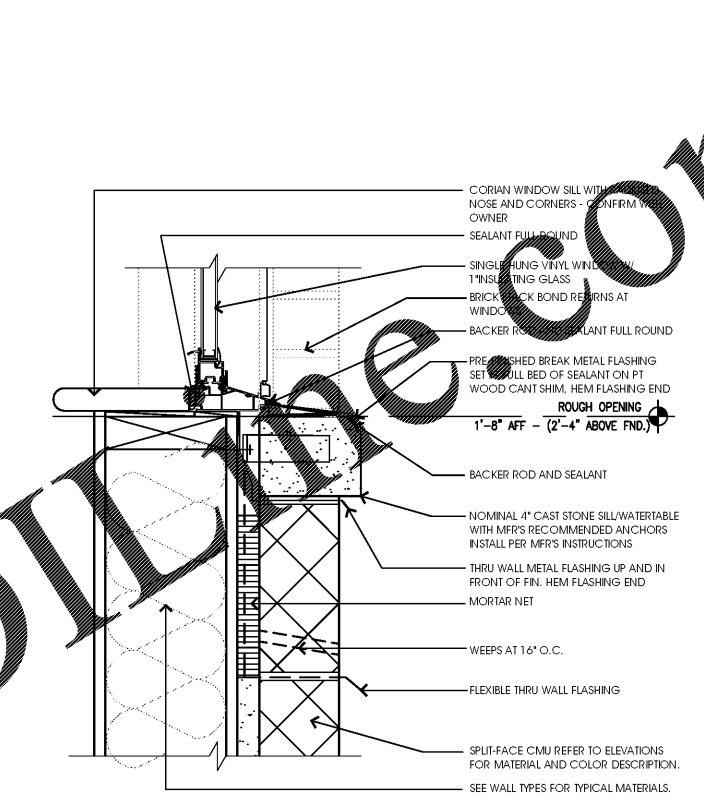
1 Wall Mat Detail at Gym  
 A.302.1 Scale: 1 1/2" = 1'-0"



2 Typ. Single-hung Window Head  
 A.302.1



3 Typ. Single-hung Window Jamb  
 A.302.1 Scale: 3" = 1'-0"



4 Typ. Single-hung Window Sill  
 A.302.1 Scale: 3" = 1'-0"

Order Plans @ WWW.INTERPLANE.COM

NO.	DATE	REMARKS



**RAINBOW CHILD CARE CENTER**  
 C - PROTOTYPE  
 2609 W. LAKE MARY BLVD.  
 LAKE MARY, FL 32746

PROJECT NO: 2017.0250  
 DATE: 12.22.17

**A.302.1**  
 BUILDING SECTIONS

CHECKED: RC DRAWN: JC

INTERPLAN, LLC RESERVE COPYRIGHT & OTHER RIGHTS RESTRICTING REUSE OF THIS DOCUMENT TO THE ORIGINAL SITE OR PURPOSE FOR WHICH IT WAS PREPARED. REPRODUCTIONS, CHANGES OR ASSIGNMENTS ARE PROHIBITED.