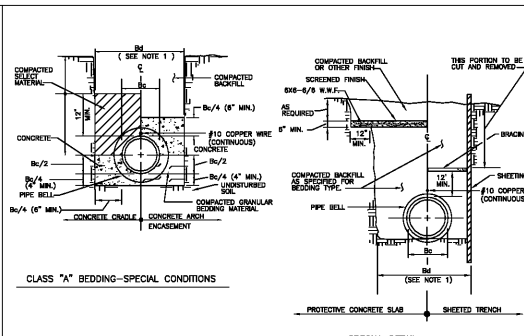


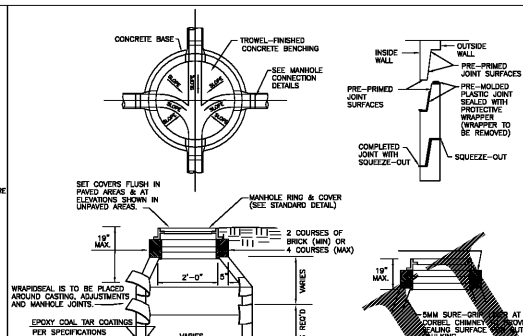
- NOTES:
1. PRESSURE VACUUM BREAKER CANNOT BE INSTALLED WHERE THERE CAN BE BACK PRESSURE, ONLY WHERE THERE CAN BE SIPHONING.
 2. THE PRESSURE VACUUM BREAKER CAN HAVE SHUT-OFF VALVES DOWNSTREAM OF THE DEVICE.
 3. THE PVB MUST BE INSTALLED AT LEAST 12" ABOVE THE HIGHEST OUTLET OR, IF IT IS FEEDING AN OPEN TANK, AT LEAST 12 INCHES ABOVE THE HIGHEST OVERFLOW RIM OF THE TANK.
 4. FOR ROADWAY CROSSINGS, ALL POLYETHYLENE SERVICE LINES LESS THAN OR EQUAL TO 2 INCH SHALL BE INSTALLED IN A SCHEDULE 40 PVC SLEEVE. THE SLEEVE SHALL HAVE A NOMINAL DIAMETER OF A MIN. OF 1 INCH LARGER THAN THE SERVICE LINE DIAMETER, BUT NOT EXCEEDING 4 INCH NOMINAL DIAMETER. THE SLEEVE SHALL EXTEND A MINIMUM OF 12 INCHES BEYOND THE OUTSIDE EDGE OF THE ROADWAY PAVEMENT AND/OR CURBING. THE DEPTH OF COVER OVER THE CASING SHALL BE A MINIMUM OF 24 INCHES BELOW THE BASE COURSE OR 36 INCHES OF TOTAL COVER, WHICHEVER IS GREATER. SEAL THE ANNULAR SPACE AT THE ENDS OF THE CASING USING A FERROD TYPE COUPLING WITH STAINLESS STEEL CLAMPS.
 5. PVB AND PIPING SHALL BE PAINTED.
 6. ON SINGLE FAMILY RESIDENTIAL IRRIGATION SYSTEMS, THE BACKFLOW PREVENTER MAY BE INSTALLED ANYWHERE BETWEEN THE IRRIGATION METER AND THE HOUSE, BUT SHALL BE UPSTREAM OF ANY OUTLETS AND SHALL MEET ALL OTHER INSTALLATION REQUIREMENTS.
 7. METER SHALL BE INSTALLED BETWEEN SIDEWALK AND CURB WHERE APPLICABLE. IN NO CASE SHALL IT BE INSTALLED UNDER CONCRETE OR ANY TYPE OF PAVEMENT.
 8. THIS DETAIL TO BE USED ONLY WHEN POTABLE WATER IS THE ONLY SOURCE OF IRRIGATION.
 9. PVB SHALL NOT BE INSTALLED IN THE RIGHT OF WAY.
 10. SEMINOLE COUNTY UTILITIES REPAIRS AND MAINTAINS THE WATER MAINS AND WATER SERVICES UP TO AND INCLUDING THE WATER METER. IT IS THE UTILITY CUSTOMER'S RESPONSIBILITY TO MAINTAIN THE WATER LINE FROM THE METER TO THE HOUSE OR BUSINESS. ABOVE GROUND BACKFLOW PREVENTERS ARE THE CUSTOMER'S RESPONSIBILITY.

RESIDENTIAL & COMMERCIAL POTABLE IRRIGATION METER WITH PRESSURE VACUUM BREAKER BACKFLOW PREVENTION ASSEMBLY FOR 3/4", 1", 1 1/2" AND 2" METERS

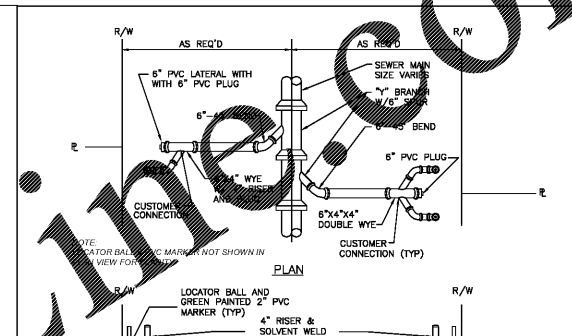
SEM. CO. MAY 2013
218



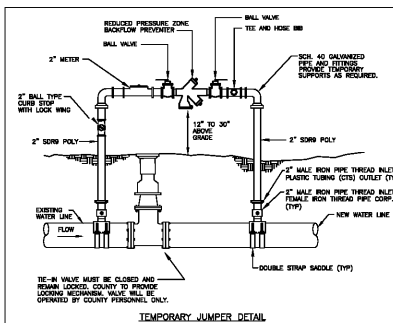
- CLASS "A" BEDDING-SPECIAL CONDITIONS
- CLASS "B" BEDDING-NORMAL CONDITIONS
- PIPE BEDDING & TRENCHING DETAILS
- SEMI. CO. DEC 2013
115



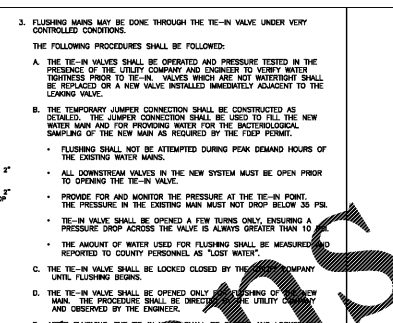
- PRECAST ECCENTRIC CONCRETE MANHOLE
- SEMI. CO. OCT 2012
208



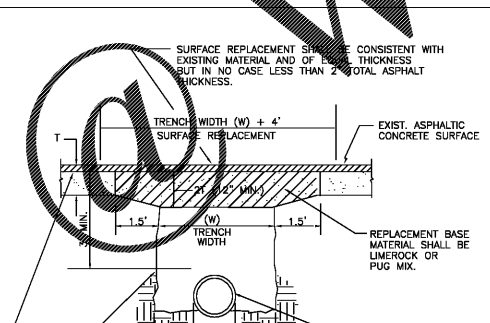
- SANITARY SEWER SERVICE CONNECTION
- SEMI. CO. OCT 2013
220



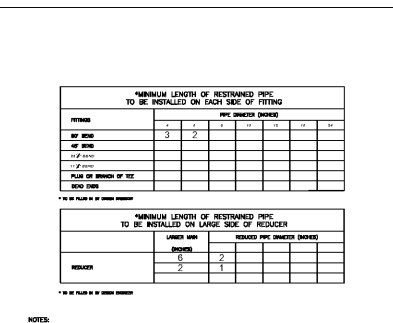
- TEMPORARY JUMPER CONNECTION
- SEMI. CO. OCT 2013
222



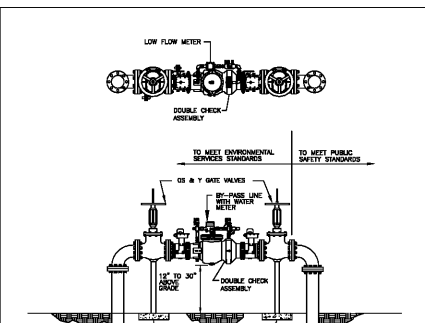
- STANDARD ROADWAY OPEN CUT DETAIL
- SEMI. CO. 1-05
C-23A OPEN CUT



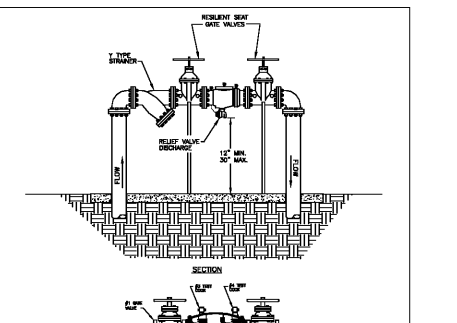
- RESTRAINED JOINT TABLE
- SEMI. CO. MAY 2012
116



- DOUBLE DETECTOR CHECK ASSEMBLY
- SEMI. CO. JULY 2013
206



- REDUCED PRESSURE PRINCIPLE BACKFLOW PREVENTION ASSEMBLY
- SEMI. CO. OCT 2012
216



- REDUCED PRESSURE PRINCIPLE BACKFLOW PREVENTION ASSEMBLY
- SEMI. CO. OCT 2012
216

F:\01E1\CAD\Plan\set\Final\11 WATER DETAILS.dwg, 9/27/2017 11:40:00 AM



DAVE SCHMITT ENGINEERING, INC.
3838 AVALON PARK EAST BLVD.
ORLANDO, FL 32828
407-207-9088 FAX 407-207-9089
Certification of Authorization #27471

REVISIONS		REVISIONS			
DATE	BY	DESCRIPTION	DATE	BY	DESCRIPTION
			09/07/2017	IAP	REVISED PER CITY & SJRWMD COMMENTS

DAVE M. SCHMITT
FLORIDA REG. NUMBER
48274

WATER AND SEWER DETAILS
RAINBOW CHILD CARE CENTER
LAKE MARY, FLORIDA

DATE: JULY 2017
PROJECT NO.: OE-1
DRAWN BY: ARMZ
CHECKED BY: DMS
SCALE: N.T.S
SHEET: 12 OF 13