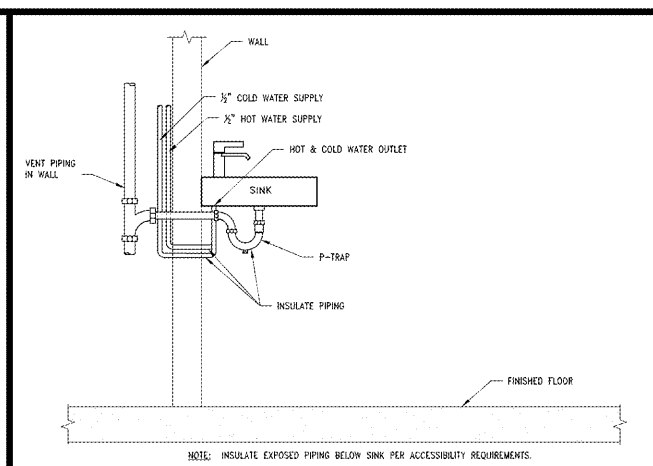


PIPE SIZE	SPACING TR. L.O.	TRANSVERSE BRACE	LONGITUDINAL BRACE	BOLT SIZE	ROD SIZE	MAX ROD LENGTH	VERTICAL BRACE
1" - 30"	20'	2-1/2" x 1/8"	2-1/2" x 1/8"	1/4"	3/8"	20'	2-1/2" x 1/8"
3 1/2" - 8"	40'	2-1/2" x 1/8"	2-1/2" x 1/8"	3/8"	1/2"	20'	2-1/2" x 1/8"
8" TO 14"	40'	2-1/2" x 1/8"	2-1/2" x 1/8"	1/2"	3/4"	20'	2-1/2" x 1/8"
14" TO 24"	40'	2-1/2" x 1/8"	2-1/2" x 1/8"	3/4"	1"	20'	2-1/2" x 1/8"
24" TO 30"	40'	2-1/2" x 1/8"	2-1/2" x 1/8"	1"	1 1/4"	20'	2-1/2" x 1/8"

DO NOT BRACE ANY PIPES WHERE TOP OF PIPE TO BOTTOM OF UPPER ATTACHMENT IS LESS THAN 12". BRACE GAS, OIL AND AIR PIPES 1" AND LARGER. BRACE ALL PIPES IN EQUIPMENT ROOMS 1-1/4" AND LARGER. BRACE ALL OTHER PIPE 2-1/2" AND LARGER. BRACE HUBLESS CAST IRON PIPE ON EACH SIDE OF ANY CHANGE IN DIRECTION OF 90 DEGREES OR MORE. MAXIMUM HANGER ROD LENGTH IS 6 FEET. WHERE LENGTH OF ROD EXCEEDS LONGITUDINAL BRACE SPACING, PROVIDE 3 FEET OFFSET IN PIPE AND LOCATE BRACE AT MID RUNS. REFER TO CURRENT EDITION OF SMACNA "SEISMIC RESTRAINT MANUAL" FOR ALTERNATIVE ATTACHMENTS AND ADDITIONAL INFORMATION AND REQUIREMENTS. (THIS DETAIL APPLIES IN THE ABSENCE OF OTHER LOCAL CODE REQUIREMENTS.)

**SEISMIC BRACING FOR PIPE** NTS 000-P0301-802-SBRC 11/07/2016



**DEMONSTRATION SINK DETAIL** NTS 42D-P0301-H03-DEMO 04/04/2015

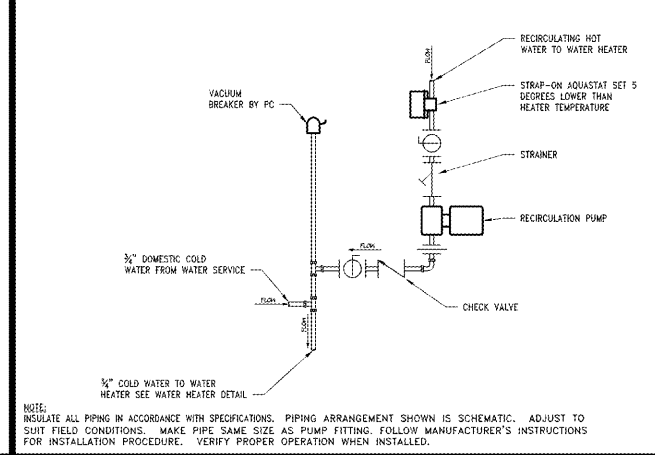
ON BRANCH LINE GREATER THAN 20 FEET LONG, PLACE ANOTHER ARRESTER IN THE MIDDLE. EACH IS SIZED FOR HALF THE FIXTURE UNITS SERVED.

ON HORIZONTAL BRANCH LINE LESS THAN 20 FEET LONG, PLACE ONE WITHIN SIX FEET OF THE LAST FIXTURE SERVED.

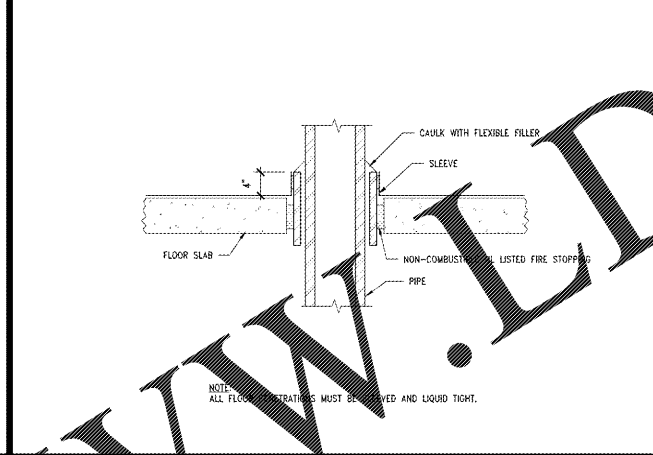
ARRESTER WITHIN SIX FEET OF FIXTURE SERVED.

FIXTURE UNIT LOAD	ARRESTER SIZE
AA 1-3	1/2"
A 4-11	3/8"
B 12-32	1/2"
C 33-60	3/4"
D 61-113	1"
E 114-134	1 1/8"
F 135-330	1 1/2"

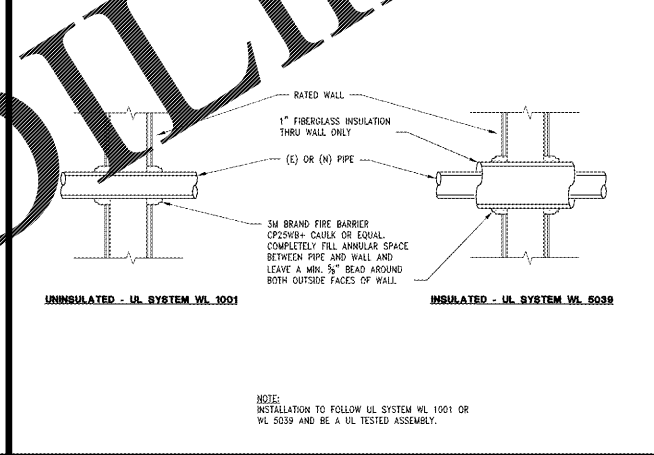
PC TO PROVIDE WATER HAMMER ARRESTERS BY SIOUX CHIEF, PRECISION PLUMBING PRODUCTS, WAITS OR APPROVED EQUIVALENT WITH PISTON AND O-RING CONSTRUCTION, HAVING PDI #P4-201, ASSE #1010 OR ANSI #A112.28.1M CERTIFICATION. SIZE AND INSTALL PER PDI #P4-201 STANDARD OR MANUFACTURER'S INSTRUCTION. THE TABLES ABOVE ARE BASED ON THE SIOUX CHIEF PRODUCT LINE. IF PRESSURE IS IN EXCESS OF 85 PSIG THEN UPsize THE ARRESTER BY ONE (EXAMPLE: AN "A" ARRESTER WOULD BECOME A "B" ARRESTER.)



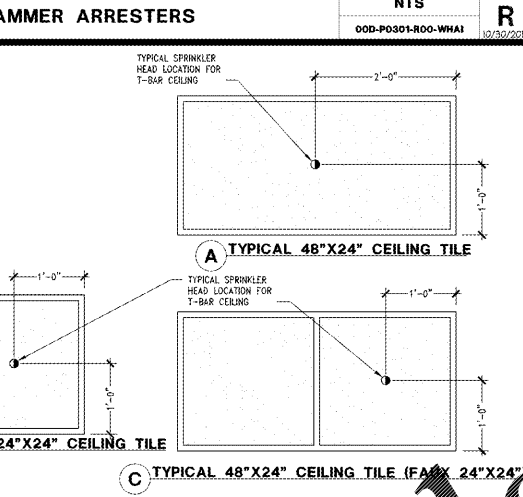
**HOT WATER RECIRC. PUMP DETAIL** NTS 000-P0301-800-PHEN 04/03/2016



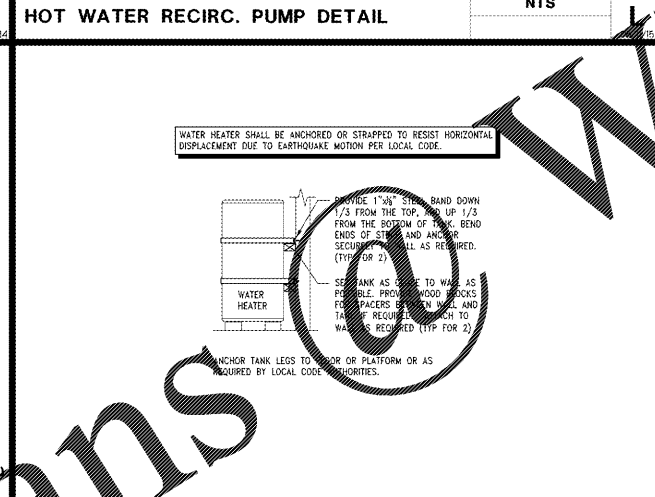
**PIPE FLOOR PENETRATION DETAIL** NTS 000-P0301-600-PTFW 04/03/2016



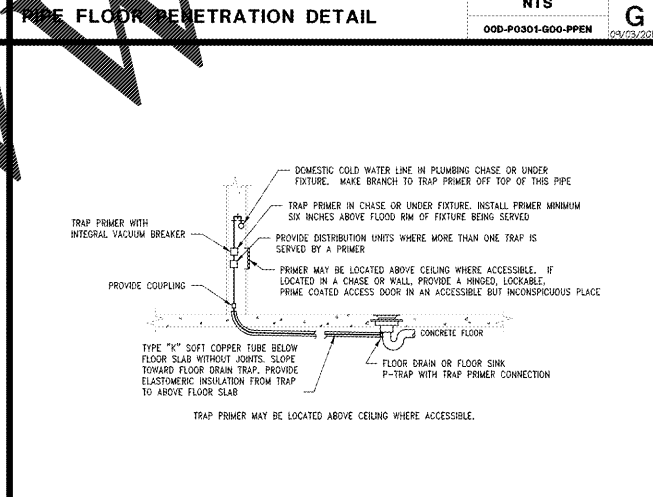
**PIPE THRU FIRE WALL PENETRATION DETAIL** NTS 000-P0301-600-PTFW 04/03/2016



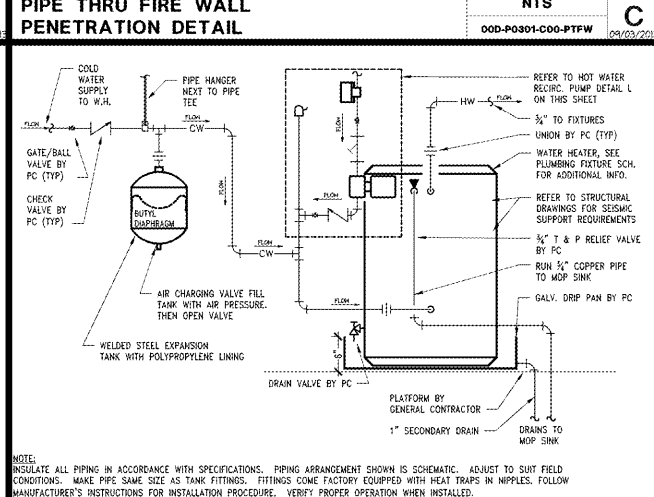
**FIRE SPRINKLER HEAD LOCATION DETAILS** NTS 000-P0301-800-FHML 02/14/2016



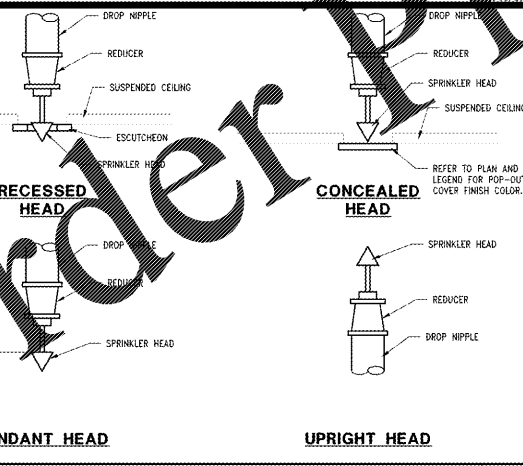
**TANK SEISMIC RESTRAINT** NTS 000-P0301-M01-TSRT 10/07/2016



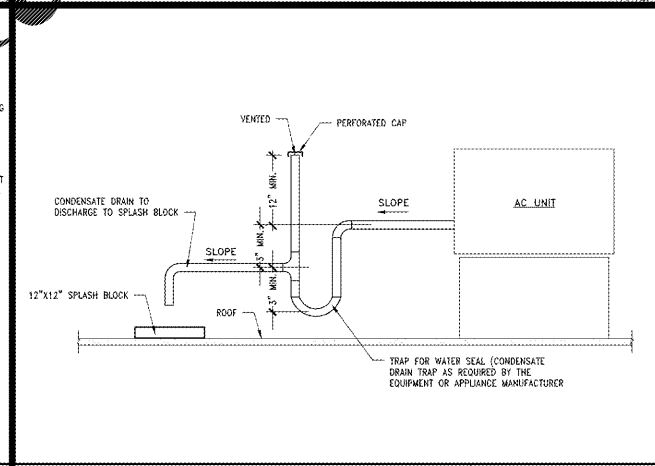
**TRAP PRIMER** 1" = 1'-0" 000-P0301-F01-TRAP 04/03/2016



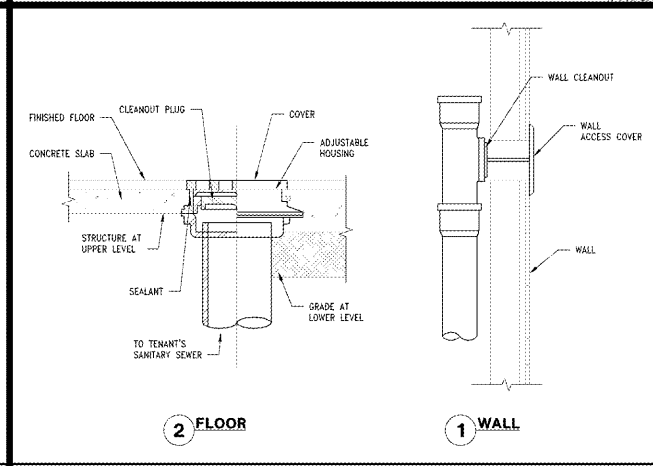
**WATER HEATER DETAIL** 1" = 1'-0" 000-P0301-800-WTHR 04/03/2016



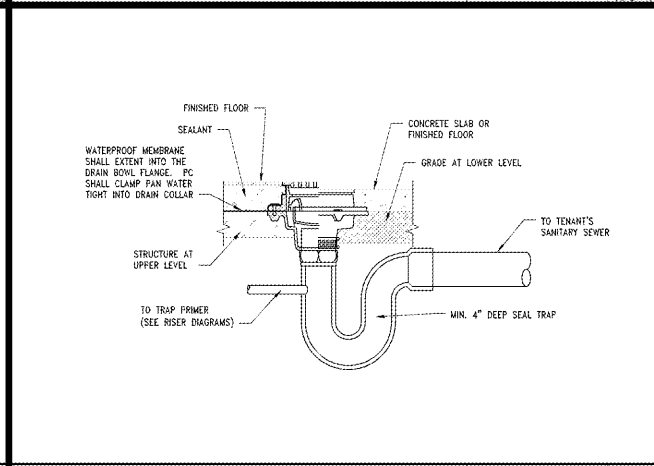
**FIRE SPRINKLER HEAD DETAILS** NTS 000-P0301-800-FSHD 02/14/2016



**CONDENSATE DRAIN DETAIL** 1" = 1'-0" 000-P0301-300-COND 04/03/2016



**CLEANOUT DETAILS** NTS 000-P0301-600-FWCO 04/03/2016



**FLOOR DRAIN DETAIL** NTS 000-P0301-600-FDRM 04/03/2016

**104.01.2445.01**

**BATH & BODY WORKS**  
 CHARLOTTE PREMIUM OUTLETS  
 5404 NEW FASHION WAY  
 SPACE NO. 240  
 CHARLOTTE, NC 28278

PROJECT INFORMATION:  
 LSCAC PROJECT #:  
 DATE ISSUED: 03/13/18  
 DESIGNED BY: MAR TBA  
 DRAWN BY: TBA  
 CHECKED BY: NJK

PLUMBING AND FIRE PROTECTION DETAILS

DRAWING NUMBER: **P03.01**