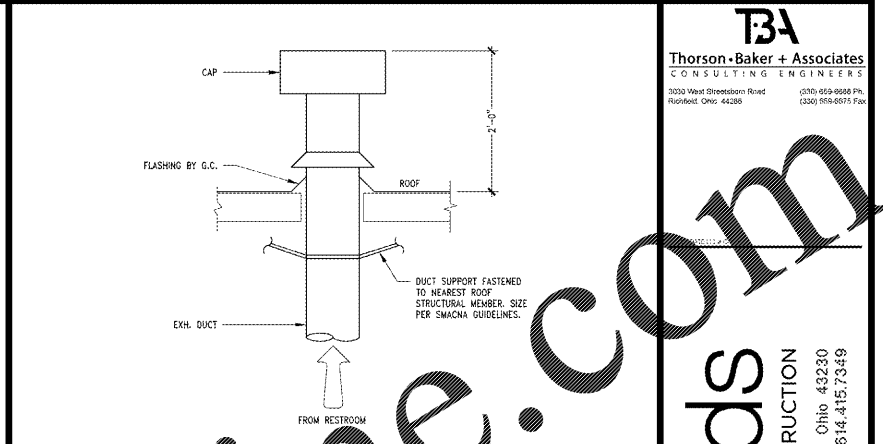
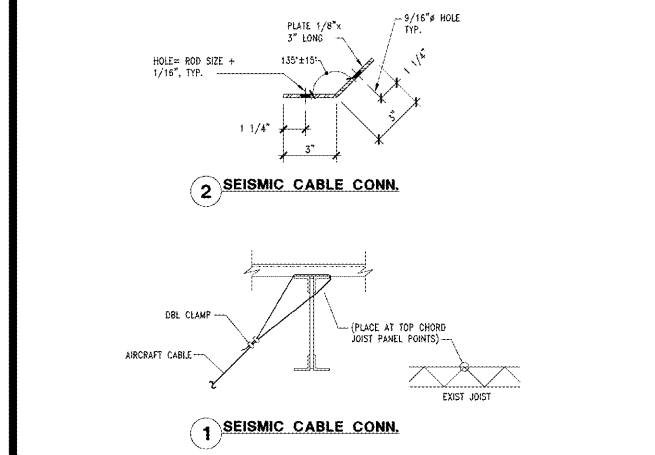


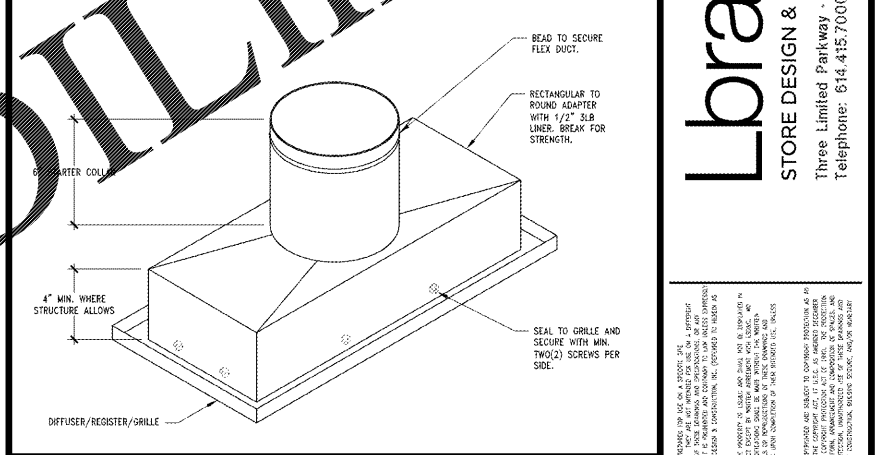
ROOFTOP UNIT CURB ASSEMBLY DETAIL NTS
 OOD-M0301-H00-UNIT 02/26/16



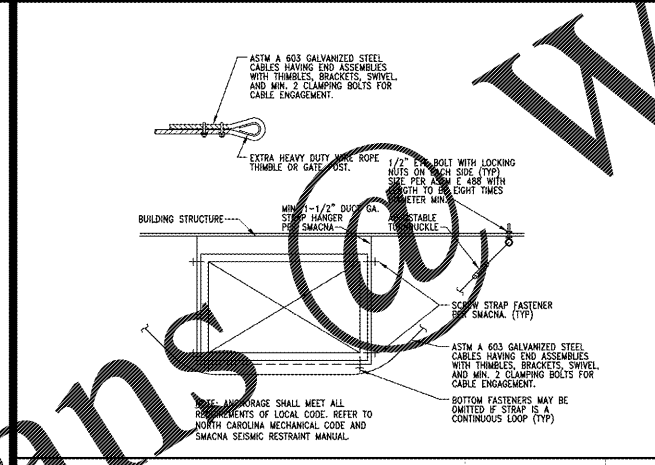
EXHAUST AIR DUCT ASSEMBLY DETAIL 1" = 1'-0"
 OOD-M0301-D00-EXDT 03/15/16



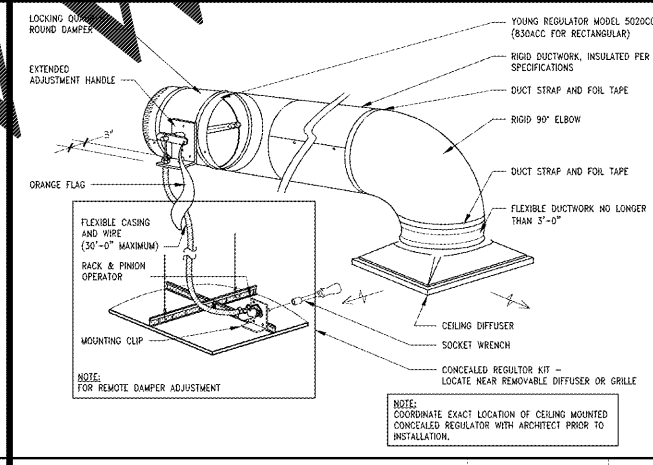
SEISMIC CABLE DETAILS NTS



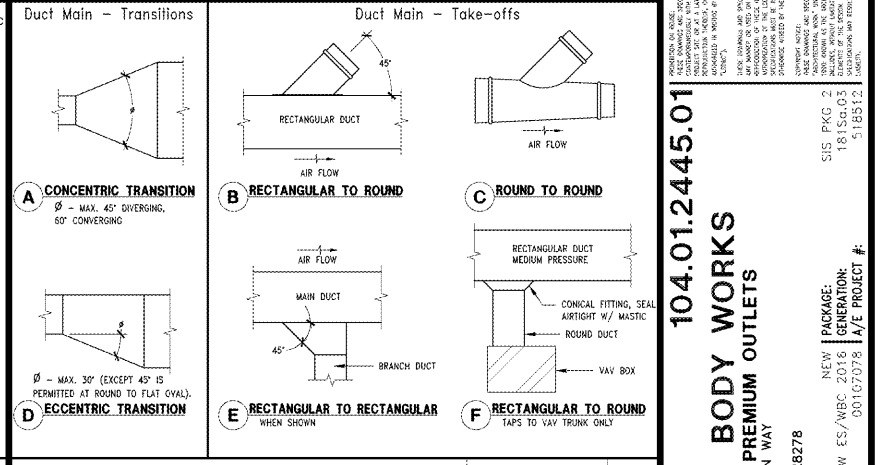
DUCTED GRILLE DETAIL 3\"/>



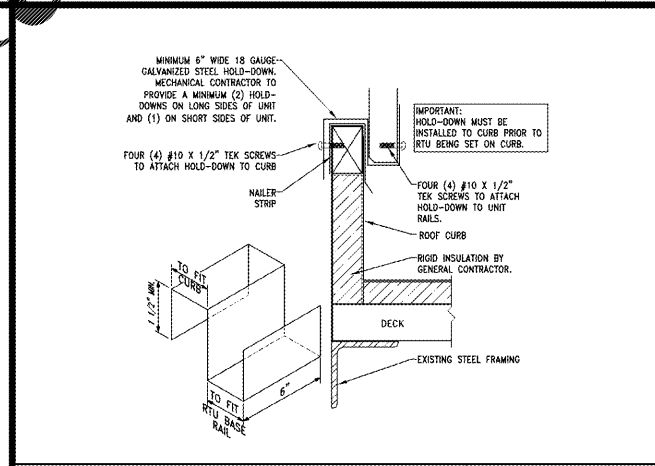
MECHANICAL DUCT ANCHORAGE DETAIL NTS



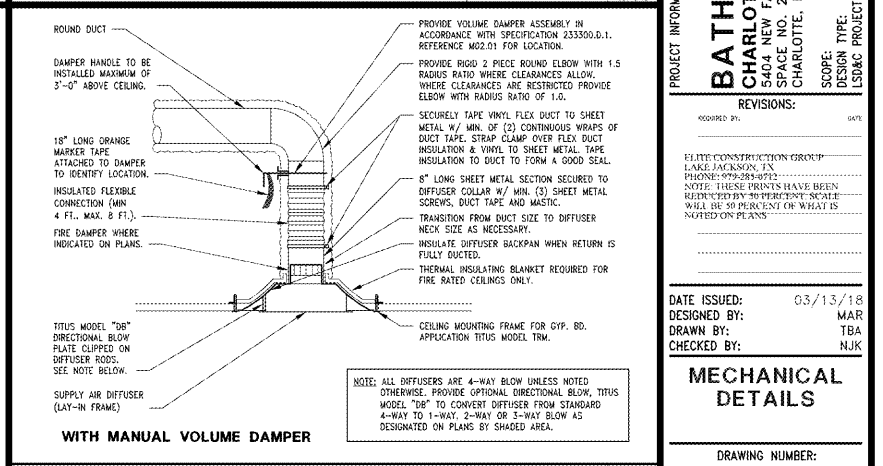
YOUNG REGULATOR REMOTE DAMPER NTS
 OOD-M0301-F00-DAMP 07/07/16



DUCT DETAILS NTS
 OOD-M0301-B00-DUCT 02/26/16



RTU-TO-CURB HOLD DOWN DETAIL NTS



CEILING DIFFUSER MOUNTING DETAIL NTS
 OOD-M0301-A00-DIFF 02/22/16

104.01.2445.01
BATH & BODY WORKS
 CHARLOTTE PREMIUM OUTLETS
 5404 NEW FASHION WAY
 SPACE NO. 240
 CHARLOTTE, NC 28278
 PROJECT INFORMATION:
 REVISIONS:
 DATE ISSUED: 03/13/16
 DESIGNED BY: MAB
 DRAWN BY: TBA
 CHECKED BY: NJK
MECHANICAL DETAILS
 DRAWING NUMBER:
M03.01

Order Plans @ WWW.LDLINE.COM