

LIGHTING CONTROL BLOCK DIAGRAM, PART OF HVAC CONTROL PACKAGE  
 NTS

**LIGHTING SEQUENCE OF OPERATION**

**SALES:**

- FOR STORE OPENING, "MANUAL-ON" / ZONE B1 OVERRIDE SWITCH MOUNTED ON THE IFS IS USED TO TURN ON THE ZONE "B1" GENERAL LIGHTS. THE SWITCH ALSO INITIATES THE SEQUENCE FOR ALL OTHER SALES AREA LIGHTS TO TURN ON. AT THE END OF THE DAY THE LIGHTING TIMER WILL AUTOMATICALLY SHUT OFF ALL LIGHTS.
- AFTER HOURS OPERATION: EACH LIGHTING ZONE INCLUDES A 2 HOUR OVERRIDE SWITCH MOUNTED ON THE IFS EQUIPMENT WHICH IS USED TO TURN ON ANY REQUIRED LIGHTING ZONE AFTER HOURS.

**RESTROOM:**

- RESTROOM LIGHTS SHALL BE CONTROLLED BY WALL OCCUPANCY SENSOR SWITCH.

**HALLWAY:**

- LIGHTING SHALL BE CONTROLLED THROUGH ROOM CONTROLLER WITH MANUAL-ON WALL STATIONS AND VACANCY SENSOR(S). SENSOR(S) SHALL AUTOMATICALLY SHUT OFF ALL LIGHTING, EXCEPT FOR NIGHTTIME SECURITY LIGHTS, WHEN UNOCCUPIED FOR 20 MINUTES.

**NON-SALES:**

- LIGHTING SHALL BE CONTROLLED THROUGH ROOM CONTROLLER WITH MANUAL-ON WALL STATIONS AND VACANCY SENSOR(S). SENSOR(S) SHALL AUTOMATICALLY SHUT OFF ALL LIGHTING, EXCEPT FOR NIGHTTIME SECURITY LIGHTS, WHEN UNOCCUPIED FOR 20 MINUTES.

**ASHRAE 90.1-2013 FUNCTIONAL TESTING:**

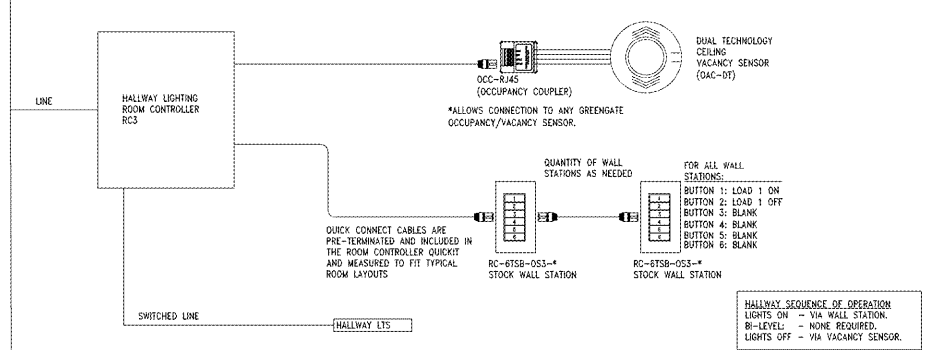
PER ASHRAE 90.1-2013 SECTION 9.4.3, IT IS THE CONTRACTOR'S RESPONSIBILITY TO HIRE A 3RD PARTY TESTING AGENT TO CONTACT AND CERTIFY FUNCTIONAL TESTING OF THE LIGHTING CONTROLS IN ACCORDANCE WITH ASHRAE 90.1-2013 ARTICLE 9.4.3. THIS TESTING AGENT IS TO REVIEW THE COMPLETE M.E.P. DESIGN DOCUMENTS, CODE INTERPRETATIONS AND DESIGN ASPECTS PRIOR TO CONSTRUCTION AND CONTACT THE ENGINEER OF RECORD WITH ANY QUESTIONS OR COMMENTS REGARDING THE DESIGN SET.

THE INDIVIDUAL(S) RESPONSIBLE FOR THE FUNCTIONAL TESTING SHALL NOT BE DIRECTLY INVOLVED IN THE DESIGN OR CONSTRUCTION OF THE PROJECT AND SHALL PROVIDE DOCUMENTATION CERTIFYING THAT THE INSTALLED LIGHTING CONTROLS MEET OR EXCEED ALL DOCUMENTED PERFORMANCE CRITERIA. INCLUDE ALL COMMENTS OF THIS AGENT IN BID.

**LIGHTING CONTROL NOTES**

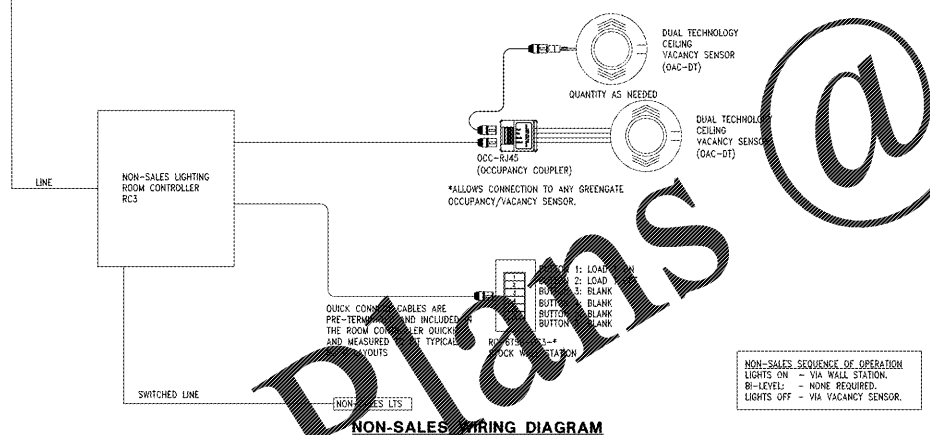
- THIS ONE-LINE DRAWING IS DIAGRAMATIC ONLY. DO NOT WIRE THE SYSTEM PER THIS ONE-LINE.
- REFER TO PLANS FOR LOCATIONS, SIZE AND QUANTITY.
- REFER TO ALL MANUFACTURERS INSTALLATION INSTRUCTIONS FOR CORRECT WIRING INFORMATION.
- IF SENSORS ARE NOT BEING CONNECTED TO GREENGATE RELAY PANELS, SP20-WY SWITCHPACKS ARE REQUIRED.
- RC-ETS8-053 WALLSTATION CONTROLS BOTH SCENES AND ZONES. CUSTOM ENCLOSURE KIT IS AVAILABLE. USING STANDARD DECORATOR OPENING FOR EASY GANGING OF STATIONS.
- IF USED, EACH SWITCHPACK (SP20-WY OR SP20-WY-NO) CAN POWER UP TO 3 OCCUPANCY SENSORS.

**NOTE:** ALL COMPONENTS ARE PART OF GREENGATE WHICH IS AN ENERGY EFFICIENT LIGHTING CONTROL SYSTEM.  
 GREENGATE CONTROLS-COOPER INDUSTRIES  
 WWW.COOPERINDUSTRIES.COM



HALLWAY WIRING DIAGRAM

**HALLWAY SEQUENCE OF OPERATION**  
 LIGHTS ON - VIA WALL STATION.  
 BI-LEVEL: - NONE REQUIRED.  
 LIGHTS OFF - VIA VACANCY SENSOR.



NON-SALES WIRING DIAGRAM

**NON-SALES SEQUENCE OF OPERATION**  
 LIGHTS ON - VIA WALL STATION.  
 BI-LEVEL: - NONE REQUIRED.  
 LIGHTS OFF - VIA VACANCY SENSOR.

Order Plans @

WWW.LDILINE.COM

PROJECT INFORMATION:  
**104.01.2445.01**

**BATH & BODY WORKS**  
**CHARLOTTE PREMIUM OUTLETS**  
 5404 NEW FASHION WAY  
 CHARLOTTE, NC 28278

SCORE: E5/WBC 2016  
 DESIGN TYPE: A/E PROJECT #:  
 LUSDAC PROJECT #:  
 REVISIONS:  
 OCCURRED BY: DATE:  
 ELITE CONSTRUCTION GROUP  
 LAKE JACKSON, TX  
 PHONE: (937) 284-8877  
 NOTE: THESE PRINTS HAVE BEEN  
 REVISIONED BY: NO REVISIONS BY DATE:  
 WILL BE 50 PERCENT OF WHAT IS  
 NOTED ON PENS

DATE ISSUED: 03/13/18  
 DESIGNED BY: ROW  
 DRAWN BY: TBA  
 CHECKED BY: JDW

**ELECTRICAL LIGHTING CONTROLS**

DRAWING NUMBER:  
**E05.02**