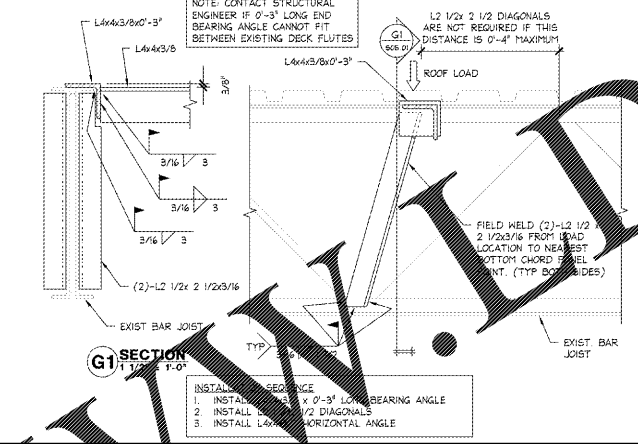
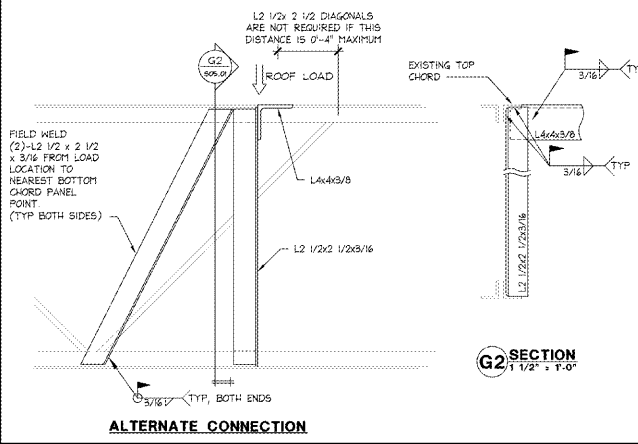
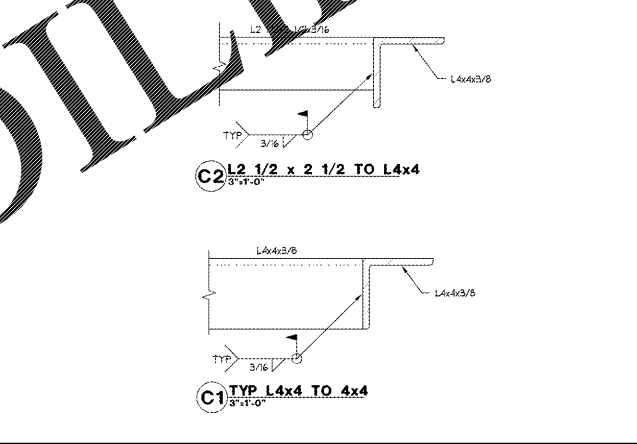


- ROOF FRAMING NOTES:**
- CONTROLLING BUILDING CODE: 2012 NORTH CAROLINA BUILDING CODE  
ROOF DESIGN LIVE LOAD = 20 PSF  
DESIGN WIND SPEED = 90 MPH
  - EXISTING ROOF CONSTRUCTION METAL DECK OVER OPEN WEB STEEL JOISTS
  - [Symbol] INDICATES ROOF OPENING. DETERMINE EXACT SIZE AND LOCATION FROM MECHANICAL DRAWINGS
  - IT IS THE CONTRACTOR'S SOLE RESPONSIBILITY TO DETERMINE ERECTION PROCEDURE AND SEQUENCE TO INSURE THE SAFETY OF THE BUILDING AND ITS COMPONENT PARTS DURING ERECTION. THIS INCLUDES, BUT IS NOT LIMITED TO, THE ADDITION OF WHATEVER TEMPORARY BRACING, GUYS OR TIE-DOWNS THAT MAY BE NECESSARY. SUCH MATERIAL SHALL BE REMOVED AND SHALL REMAIN THE PROPERTY OF THE CONTRACTOR AFTER COMPLETION OF THE PROJECT.
  - FIELD VERIFY ALL DIMENSIONS PRIOR TO FABRICATION. MECH. UNIT DIMENSIONS SHALL BE COORDINATED WITH APPROVED MECH UNIT MANUFACTURER DRAWINGS.
  - SUPPORT FRAMING SHOWN IS FOR THE MECH UNIT SPECIFIED ON MECHANICAL DRAWINGS. IF DIFFERENT UNIT IS TO BE USED, CONTACT STRUCTURAL ENGINEER BEFORE PROCEEDING.
  - ALL STEEL SHALL BE ASTM A36.
  - STRUCTURAL STEEL SHALL CONFORM TO THE AISC "SPECIFICATIONS FOR THE DESIGN, FABRICATION AND ERECTION OF STRUCTURAL STEEL OF BUILDINGS". (CURRENT EDITION)
  - ALL WELDING SHALL BE DONE IN ACCORDANCE WITH "AMERICAN WELDING SOCIETY" SPECIFICATIONS (CURRENT EDITION)
  - WELDING ELECTRODES SHALL BE E70XX, LOW HYDROGEN.
11. IF EXISTING STRUCTURE IS DIFFERENT THAN SHOWN, CONTACT STRUCTURAL ENGINEER BEFORE PROCEEDING WITH ANY WORK IN THAT AREA.

**STRUCTURAL NOTES** N.T.S. S NOT USED M NOT USED



**MECH SUPPORT FRAME CONNECTION DETAILS** 1 1/2" = 1'-0" D

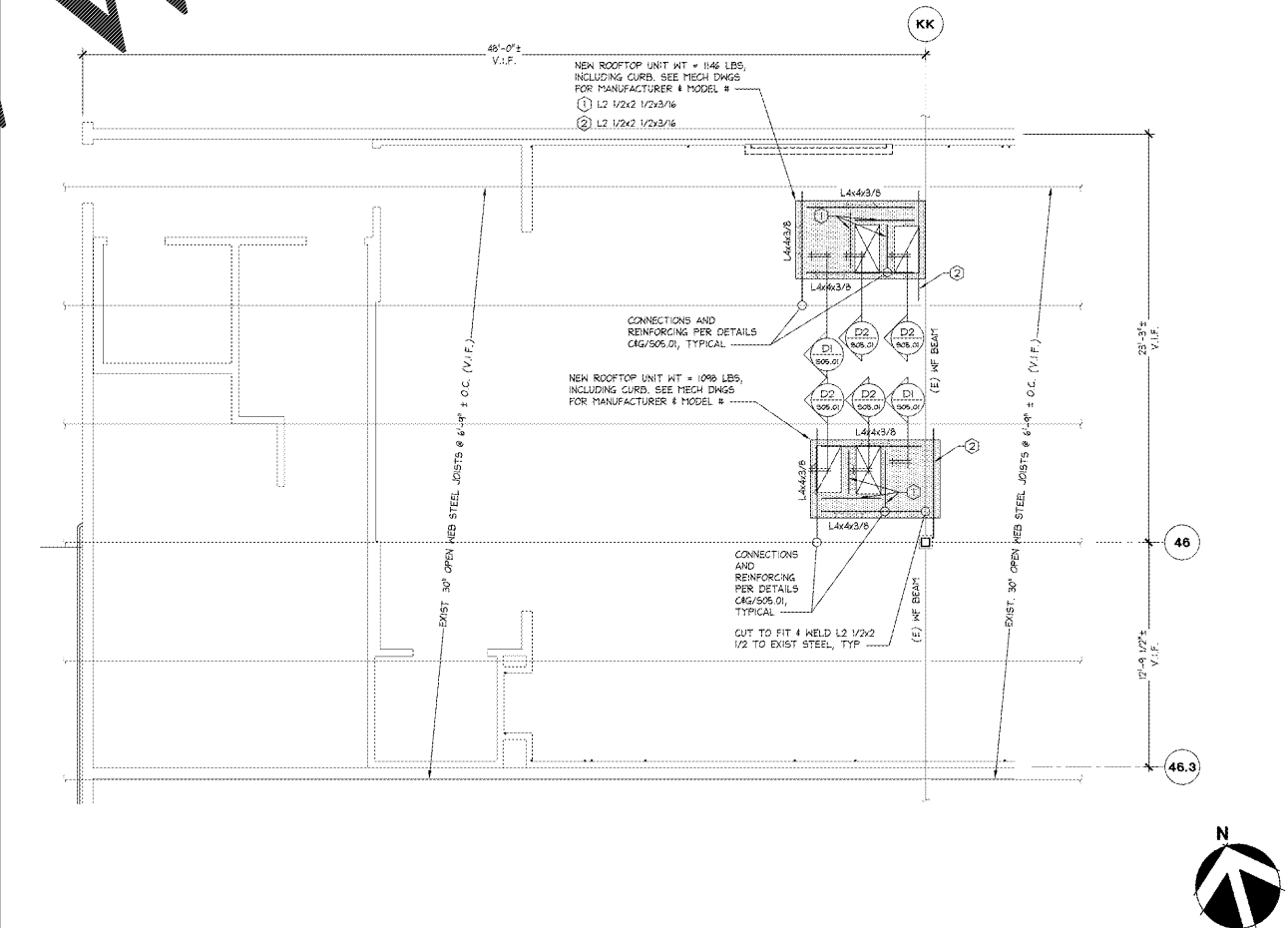
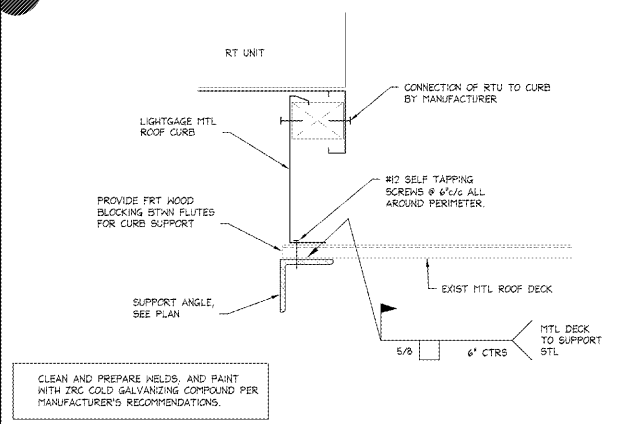


**NOT USED** R

**CONNECTION OF MECH UNIT SUPPORT L4x4 TO EXISTING BAR JOIST** 1 1/2" = 1'-0" G

**MECH SUPPORT FRAME CONNECTION DETAILS** 3" = 1'-0" C

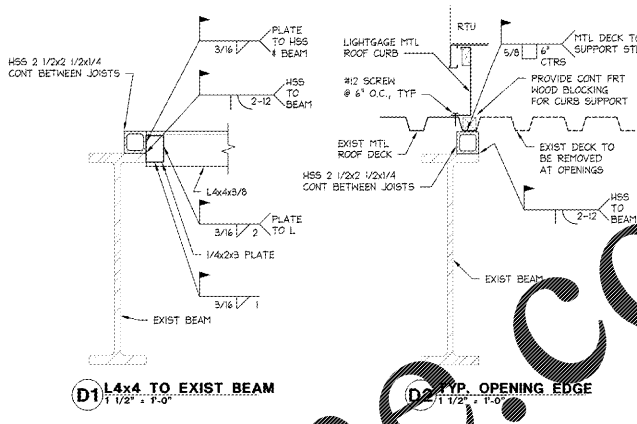
**NOT USED** P NOT USED K



**NOT USED** N

**TYPICAL RTU CURB ATTACHMENT DETAIL** 1 1/2" = 1'-0" J

**MECH SUPPORT FRAME CONNECTION DETAILS** 1/4" = 1'-0" A



**TBA**  
Thorson + Baker + Associates  
CONSULTING ENGINEERS  
10339 West Stevenson Road  
Richfield, Ohio 44293  
(330) 886-6888  
(330) 886-6775

**Lbrands**  
STORE DESIGN & CONSTRUCTION  
Three Limited Parkway - Columbus, Ohio 43230  
Telephone: 614.415.7000 - Fax: 614.415.7349

**PROJECT INFORMATION:**  
104.01.2445.01  
**BATH & BODY WORKS**  
CHARLOTTE PREMIUM OUTLETS  
5404 NEW FASHION WAY  
SPACE NO. 240  
CHARLOTTE, NC 28278

**SCORE:** BBW ES/WBC 2/2016  
**DESIGN TYPE:** LBS&C PROJECT #:  
**PACKAGE GENERATION:** NEW 03/13/18  
SIS PKG 2 181504.03 3/18/2012

**REVISIONS:**

DATE ISSUED: 03/13/18  
DESIGNED BY: TBA  
DRAWN BY: TBA  
CHECKED BY: NES

**MECH SUPPORT FRAME FRAMING PLAN AND DETAILS**

**DRAWING NUMBER:**  
**S05.01**

Order Plans @ WWW.DIline.com