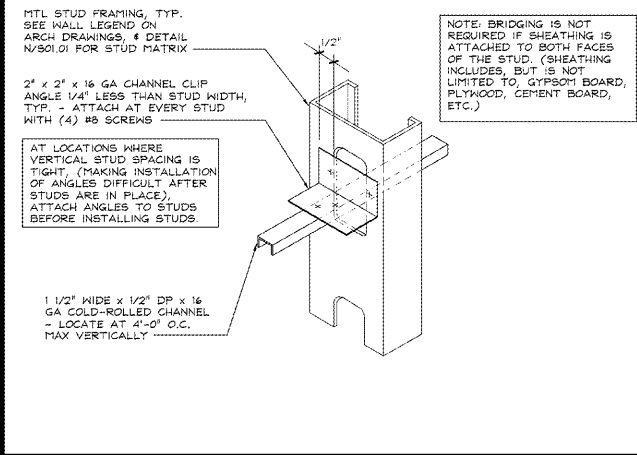
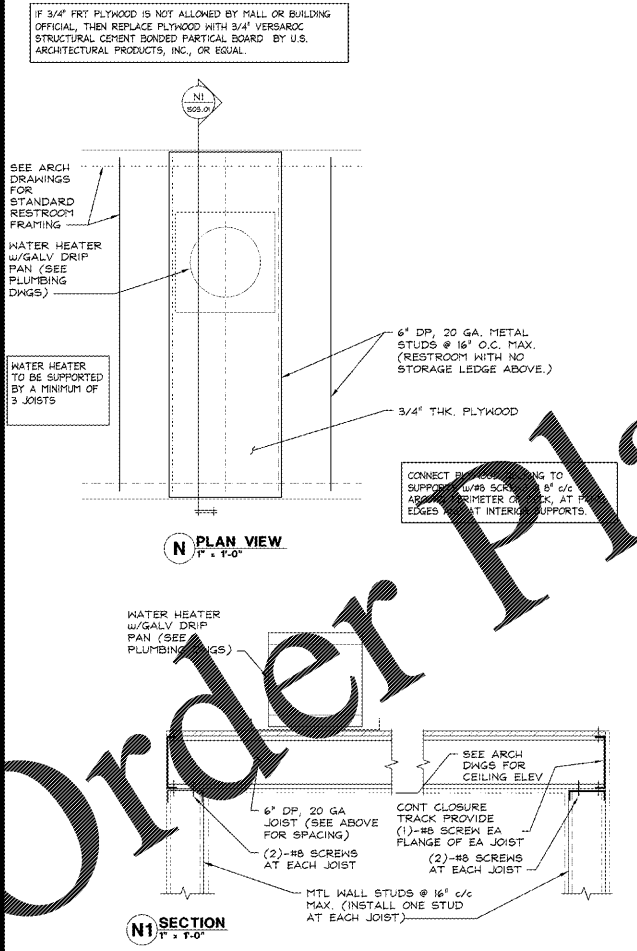


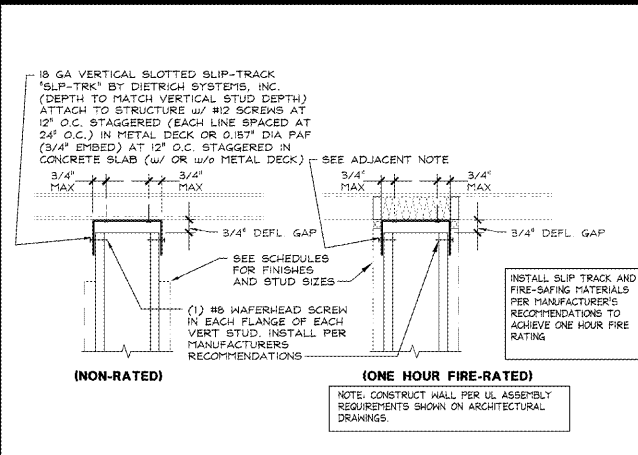
**SUSPENDED FRAMING DETAILS** 1 1/2"-1'-0" S 0008031800DET1 08.14.04



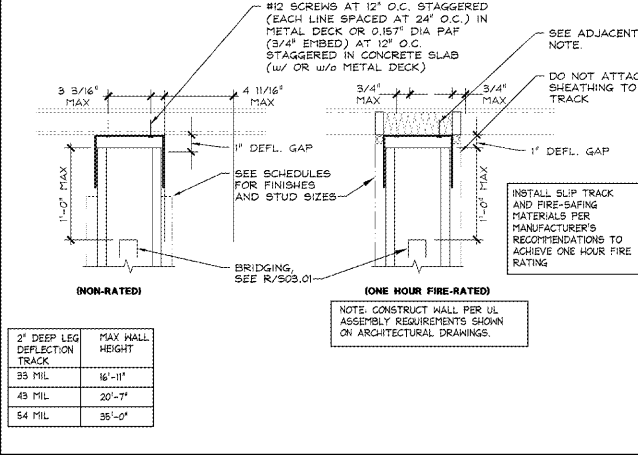
**BRIDGING DETAIL** N.T.S. R 0008031800DET1 08.14.04



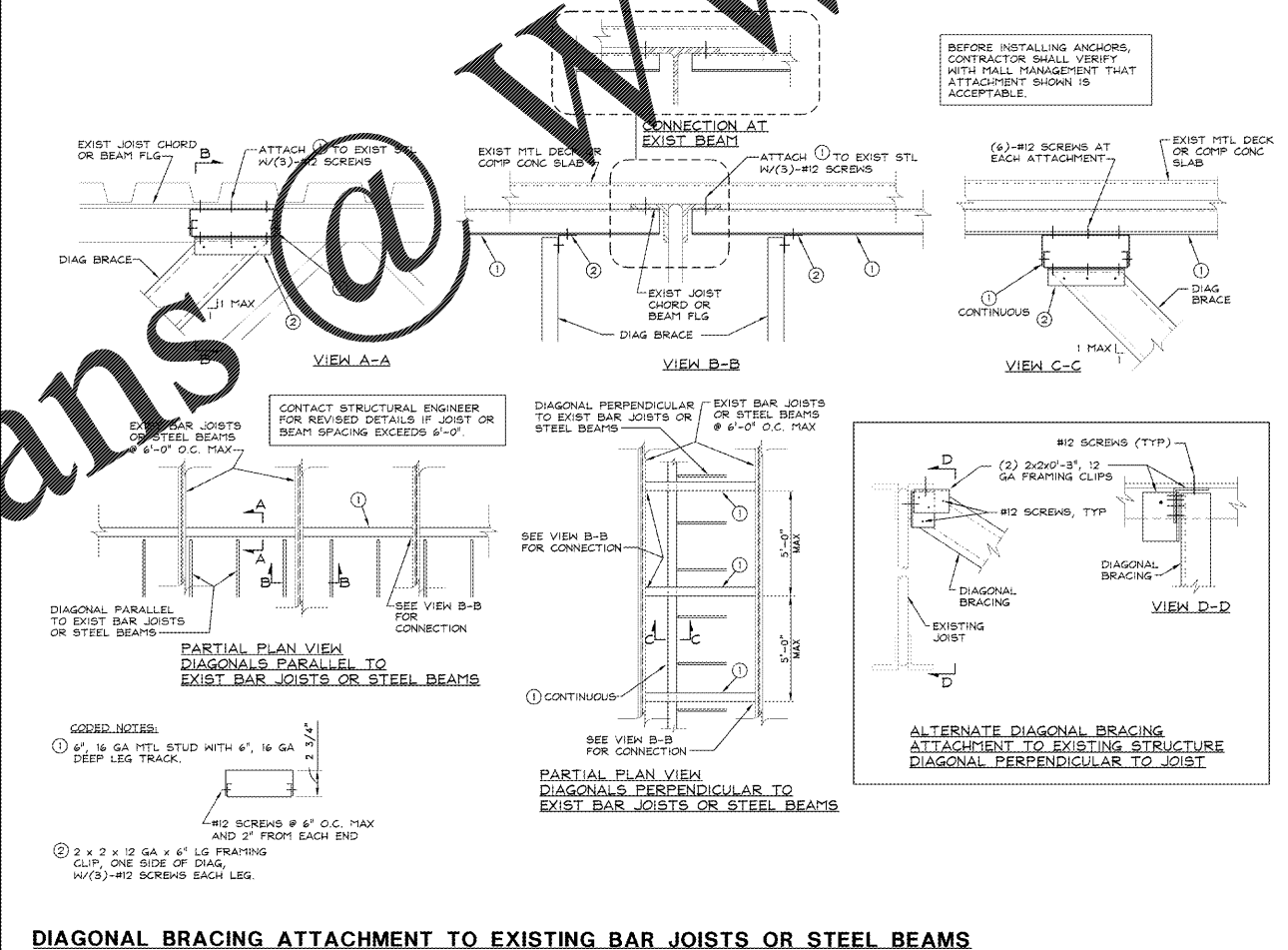
**WATER HEATER SUPPORT ABOVE RESTROOM** 1" = 1'-0" N 0008031800PLAT 08.15.11



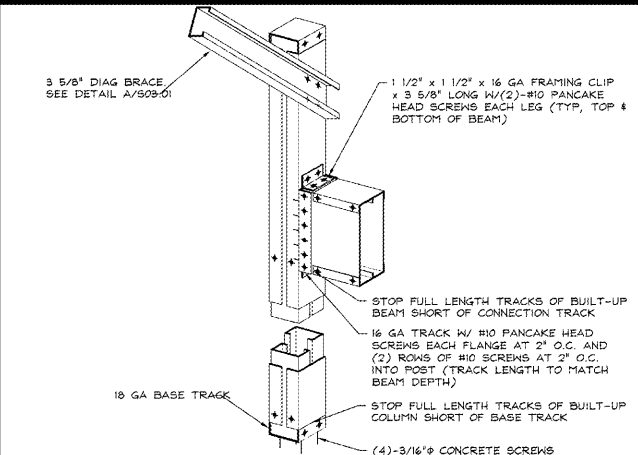
**VERT SLOTTED DEFLECTION TRACK - NON-SALES** 3"-1'-0" M 00080318100DET1 08.14.04



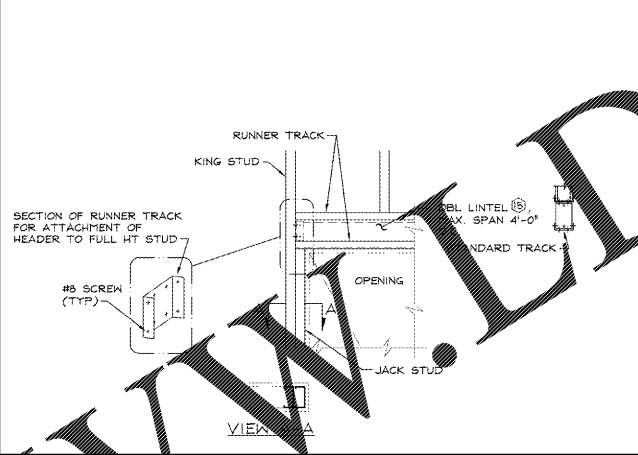
**DEFLECTION TRACK - DESIGN CATEGORIES A, B, & C** 3"-1'-0" R 00080318100DET1 08.14.04



**TYPICAL DIAGONAL BRACE CONNECTION** N.T.S. E 0008031800BRAC 08.14.04



**COLUMN CONNECTIONS** 1/2"-1'-0" H 0008031800DET1 08.14.04



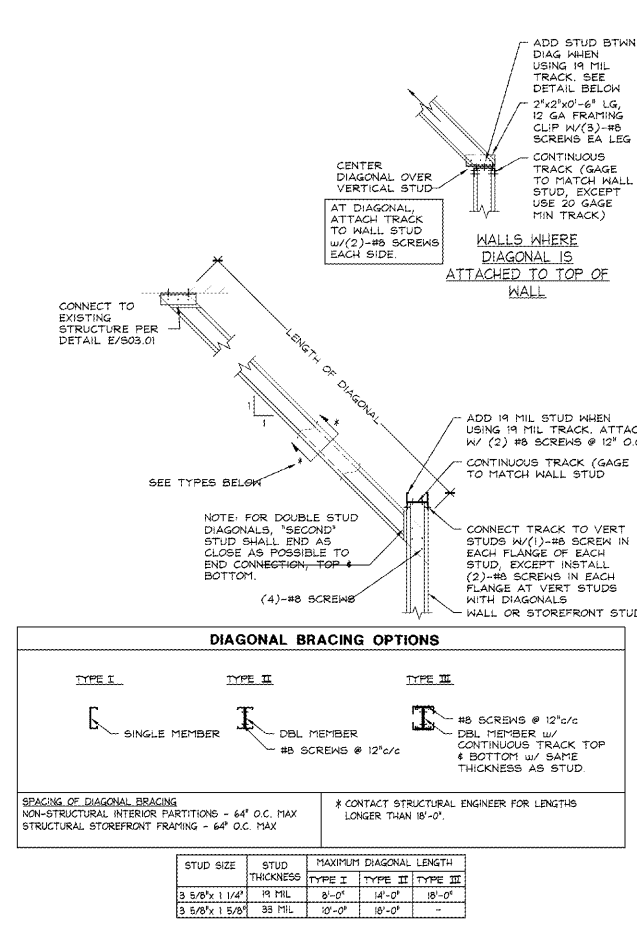
**RIGHT ANGLE LINTEL DETAIL** N.T.S. G 0008031800DET1 08.14.04



**NOT USED** -- -- D 0008031800DET1 08.14.04



**NOT USED** -- -- C 0008031800DET1 08.14.04



**TYPICAL DIAGONAL BRACING** 1" = 1'-0" A 000803183BRAC 07.01.16

**TBA**  
 Thorson-Baker + Associates  
 CONSULTING ENGINEERS  
 6339 West Stevenson Road  
 Columbus, Ohio 43230  
 Telephone: 614.415.7000 - Fax: 614.415.7349

**Lbrands**  
 STORE DESIGN & CONSTRUCTION  
 Three Limited Parkway - Columbus, Ohio 43230  
 Telephone: 614.415.7000 - Fax: 614.415.7349

**PROJECT INFORMATION:**  
 104.01.2445.01  
**BATH & BODY WORKS**  
 CHARLOTTE PREMIUM OUTLETS  
 5404 NEW FASHION WAY  
 CHARLOTTE, NC 28278

**REVISIONS:**

**DATE ISSUED:** 03/13/18  
**DESIGNED BY:** TBA  
**DRAWN BY:** TBA  
**CHECKED BY:** NES

**STRUCTURAL CONSTRUCTION DETAILS**  
 DRAWING NUMBER: **S03.01**