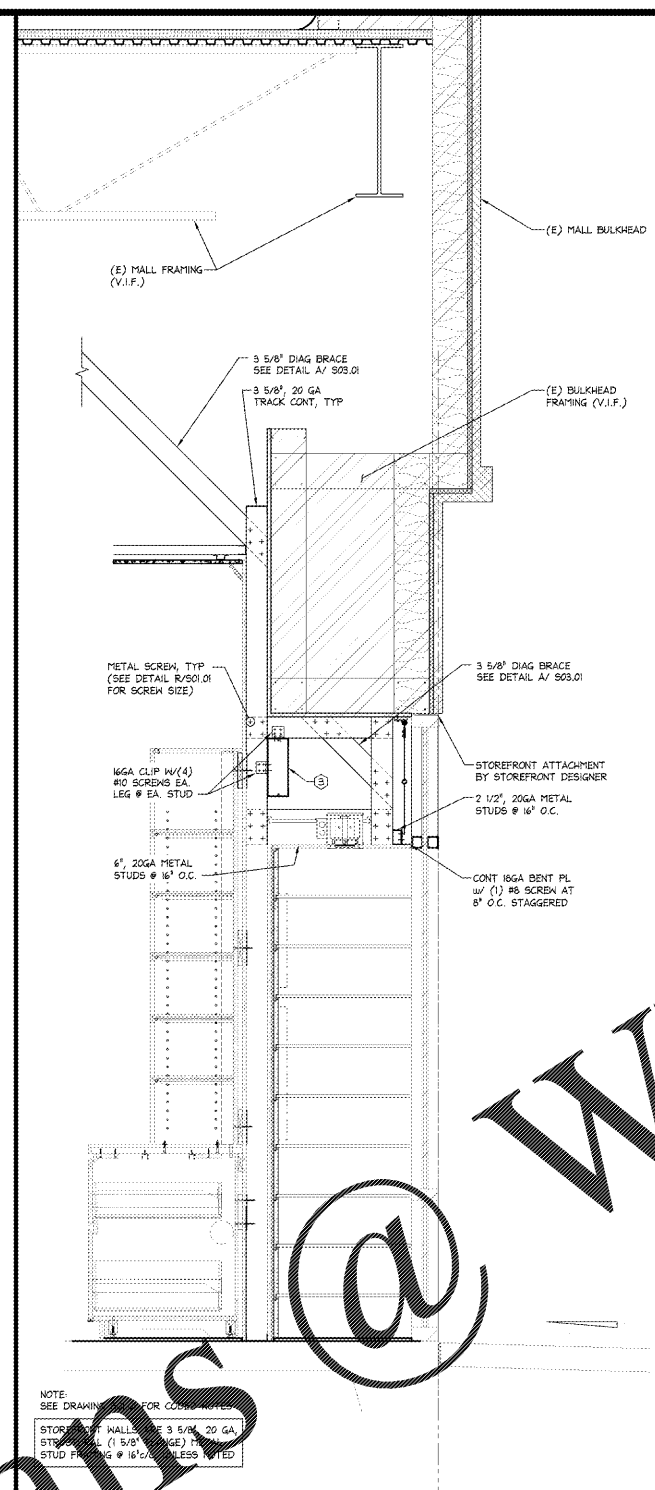
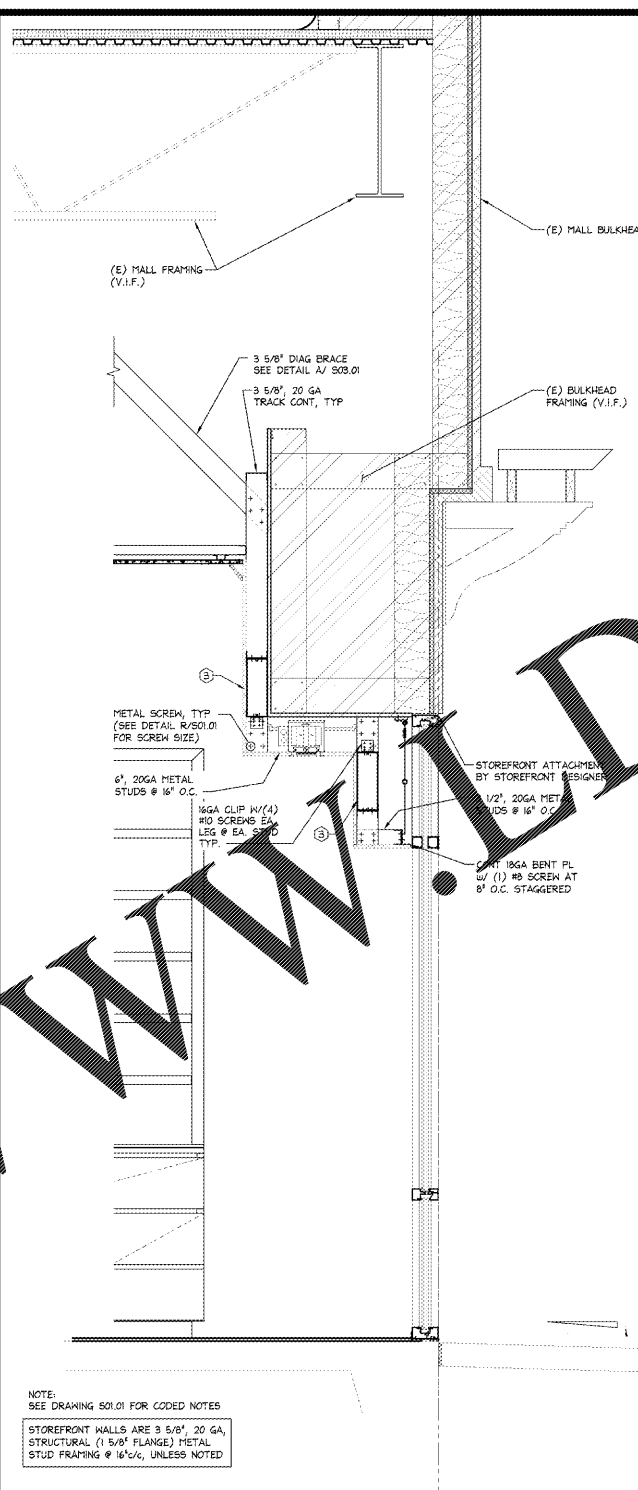


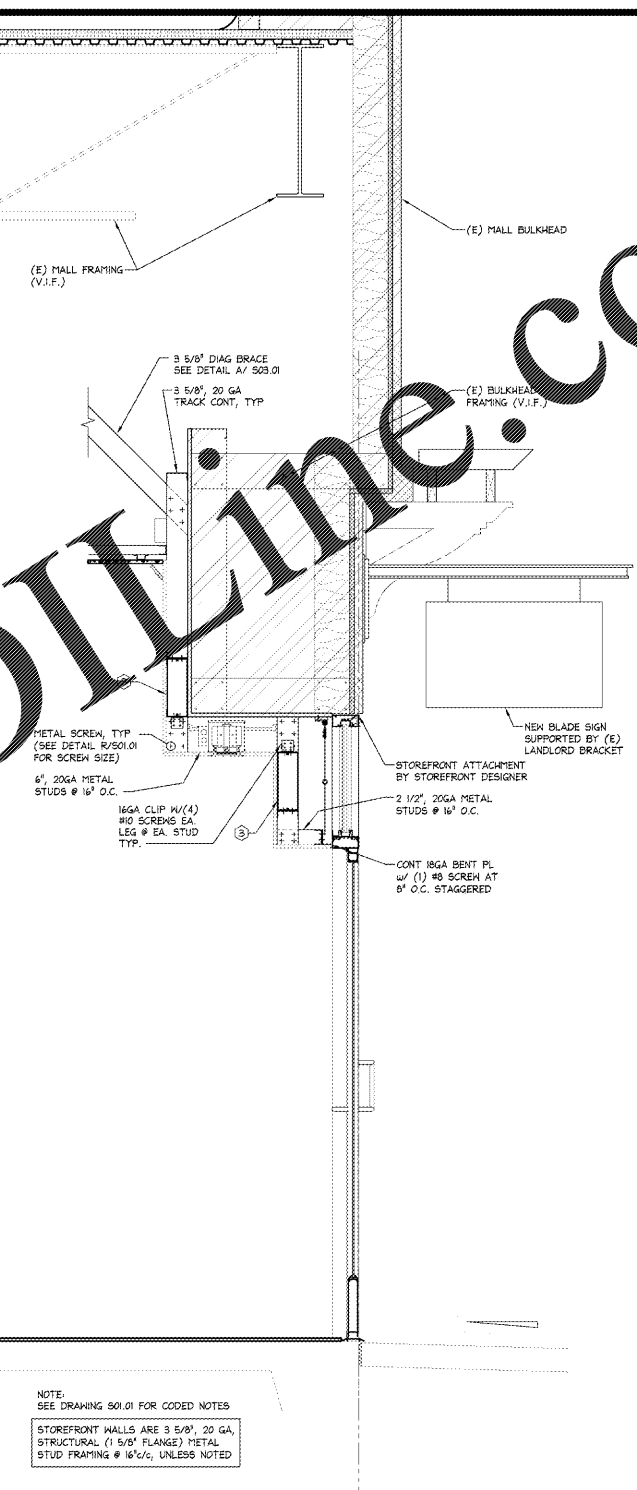
STOREFRONT SECTION - BBW 1'-1'-0" P



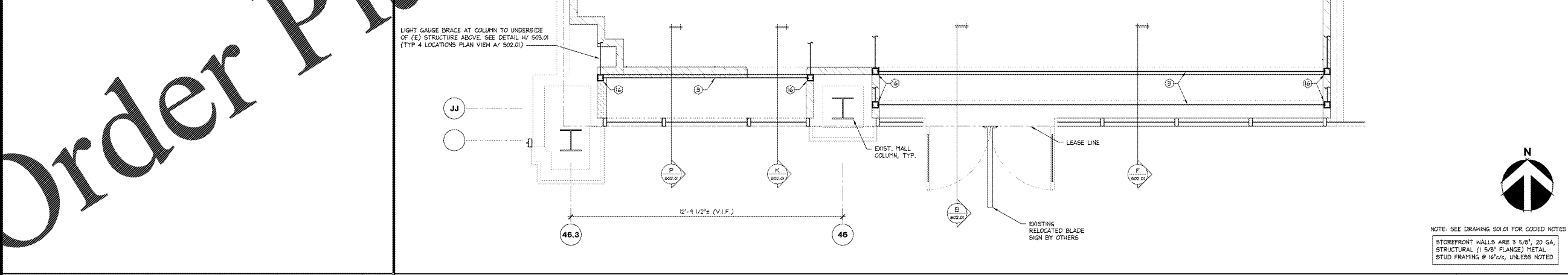
STOREFRONT SECTION - BBW 1'-1'-0" K



STOREFRONT SECTION - BBW 1'-1'-0" F



STOREFRONT SECTION - BBW 1'-1'-0" B



NOT USED

STOREFRONT FRAMING PLAN 1/2'-1'-0" A

PROJECT INFORMATION:
BATH & BODY WORKS
 CHARLOTTE PREMIUM OUTLETS
 5404 NEW FASHION WAY
 CHARLOTTE, NC 28278

SCORE: BBW ES/WBC
 DESIGN TYPE: 153C/03
 LBS/C PROJECT #: 50107978

PACKAGE: NEW
 GENERATION: 153C/03
 DATE PROJECT #: 03/13/18

REVISIONS:

DATE ISSUED: 03/13/18
 DESIGNED BY: TBA
 DRAWN BY: NES
 CHECKED BY:

NOTE: THESE PRINTS HAVE BEEN REDUCED BY 20 PERCENT SCALE WILL BE 50 PERCENT OF WHAT IS NOTED ON THESE

104.01.2445.01

NOTE: SEE DRAWING 501.01 FOR CODED NOTES
 STOREFRONT WALLS ARE 3 5/8", 20 GA, STRUCTURAL (1 5/8" FLANGE) METAL STUD FRAMING @ 16"/c, UNLESS NOTED

DRAWING NUMBER:
S02.01

Order Plans @ WWW.LDITLINE.COM