

**PROJECT INFORMATION:**  
104.01.2445.01  
**BATH & BODY WORKS**  
CHARLOTTE PREMIUM OUTLETS  
5404 NEW FASHION WAY  
SPACE NO. 240  
CHARLOTTE, NC 28278

**REVISIONS:**

DATE ISSUED: 03/13/18  
DESIGNED BY: SO  
DRAWN BY: JMH  
CHECKED BY: KM

**DRAWING NUMBER:**  
A13.1

**TOILET ROOM PLAN (PAINTED FINISHES)**  
1/2" = 1'-0"  
42P-A131-A00-PLAN 07.17.17

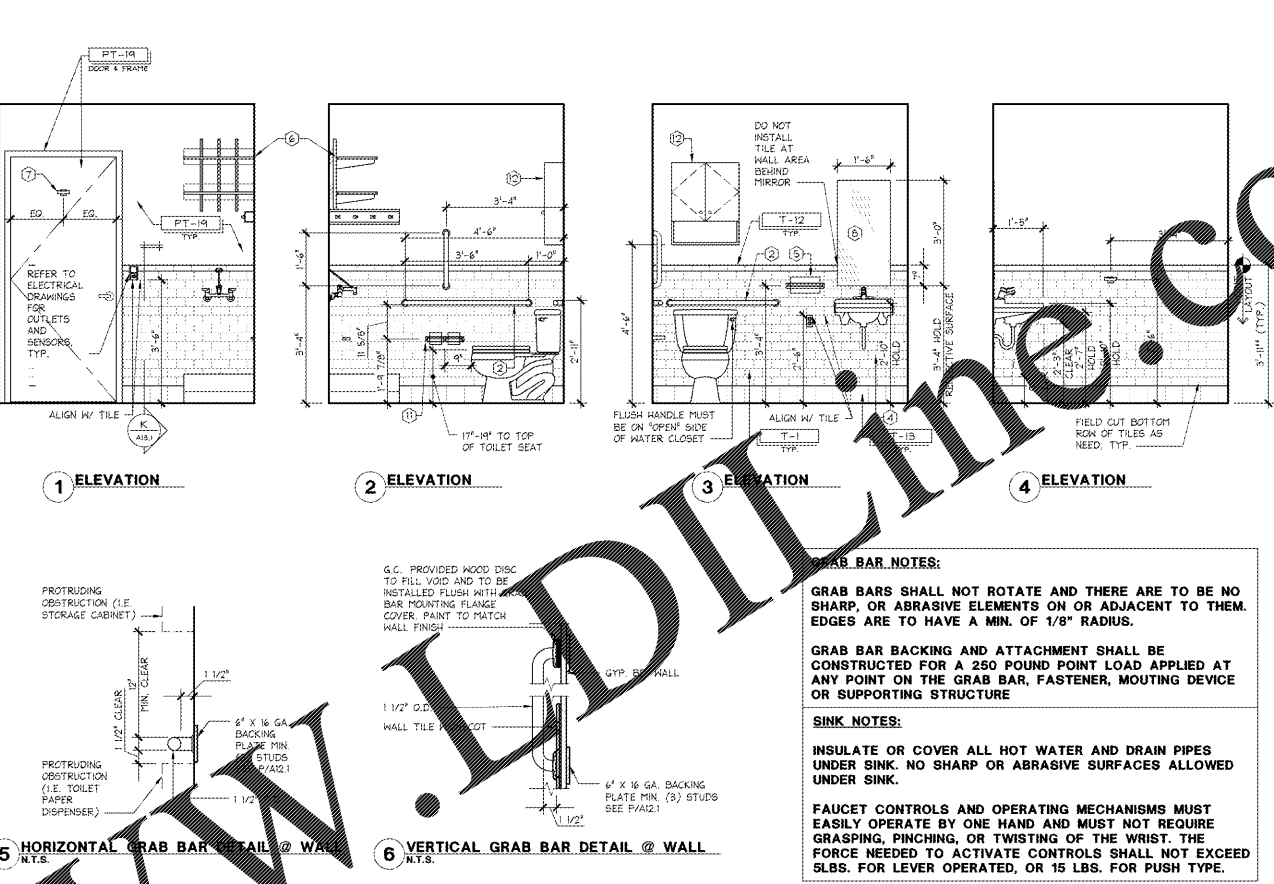
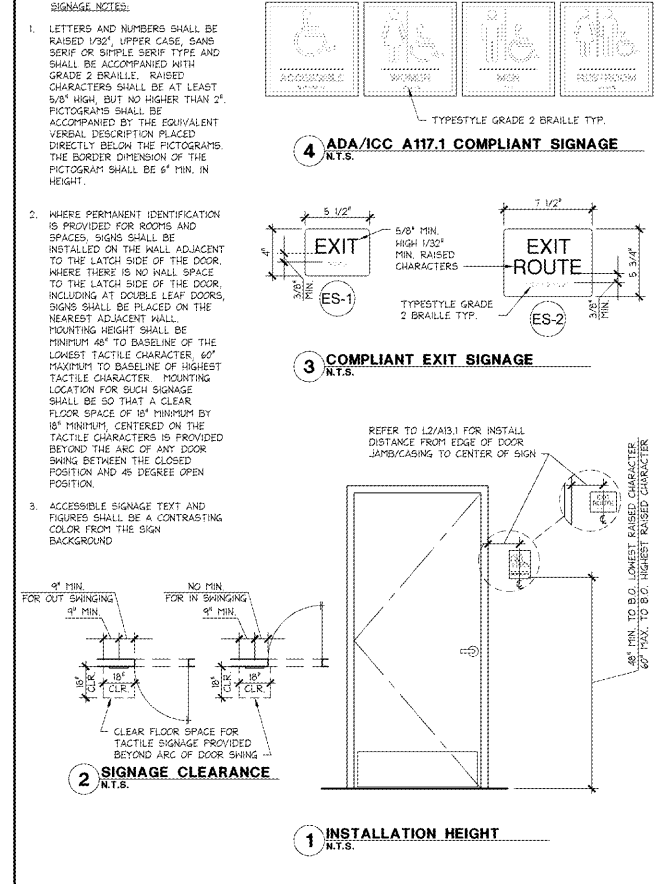
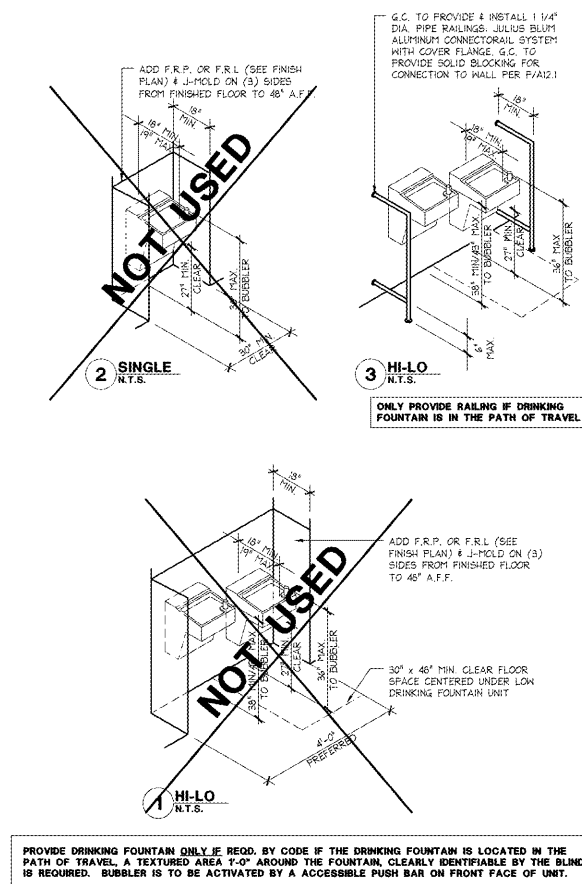
**TOILET ROOM ELEVATIONS (PAINTED FINISHES)**  
1/2" = 1'-0"  
42E-A131-C00-ELEV 02.13.18

**ACCESSIBILITY CONSTRUCTION NOTES**  
FULL  
42P-A131-A00-NOTE 09.05.09

**DRINKING FOUNTAIN**  
N.T.S.  
42D-A131-R00-DETL 07.20.17

**ACCESSIBILITY AND TACTILE SIGNAGE ADA/ICC A117.1 COMPLIANT**  
FULL  
42D-A131-L00-DETL 07.20.17

**NOT USED**  
N.T.S.  
42D-A131-K00-DETL 09.05.09

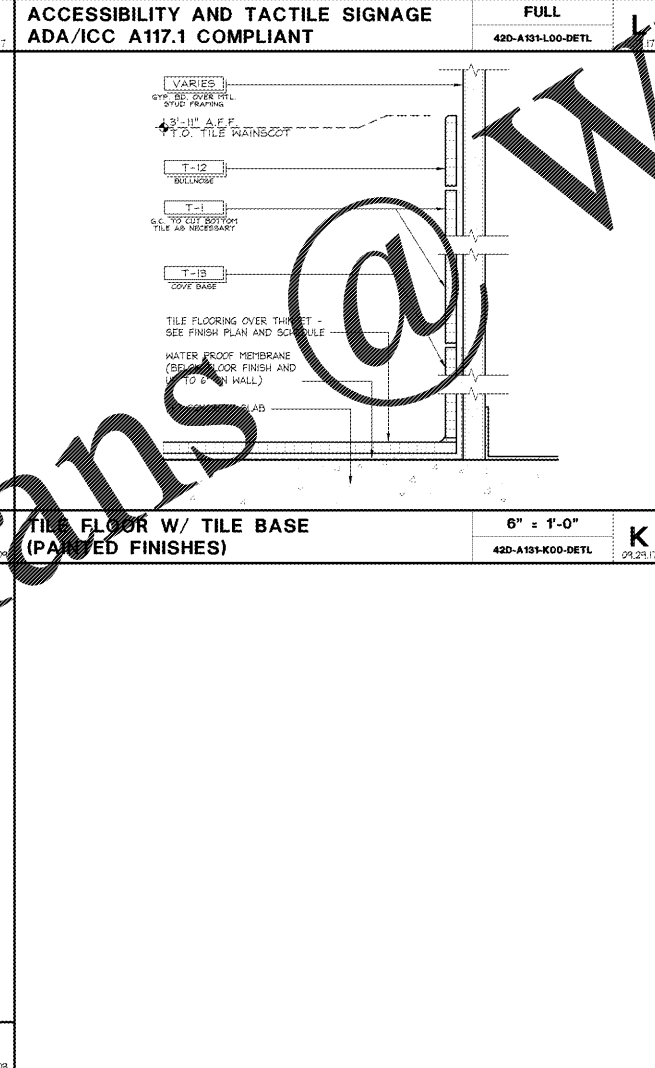


**DRINKING FOUNTAIN**  
N.T.S.  
42D-A131-R00-DETL 07.20.17

**ACCESSIBILITY AND TACTILE SIGNAGE ADA/ICC A117.1 COMPLIANT**  
FULL  
42D-A131-L00-DETL 07.20.17

**NOT USED**  
N.T.S.  
42D-A131-K00-DETL 09.05.09

**ACCESSIBILITY CONSTRUCTION NOTES**  
FULL  
42P-A131-A00-NOTE 09.05.09



**TOILET ROOM PLAN (PAINTED FINISHES)**  
6" = 1'-0"  
42D-A131-K00-DETL 09.25.17

**TOILET ROOM ELEVATIONS (PAINTED FINISHES)**  
1/2" = 1'-0"  
42E-A131-C00-ELEV 02.13.18

**ACCESSIBILITY CONSTRUCTION NOTES**  
FULL  
42P-A131-A00-NOTE 09.05.09

**DRINKING FOUNTAIN**  
N.T.S.  
42D-A131-R00-DETL 07.20.17

**ACCESSIBILITY AND TACTILE SIGNAGE ADA/ICC A117.1 COMPLIANT**  
FULL  
42D-A131-L00-DETL 07.20.17

**NOT USED**  
N.T.S.  
42D-A131-K00-DETL 09.05.09

**ACCESSIBILITY CONSTRUCTION NOTES**  
FULL  
42P-A131-A00-NOTE 09.05.09