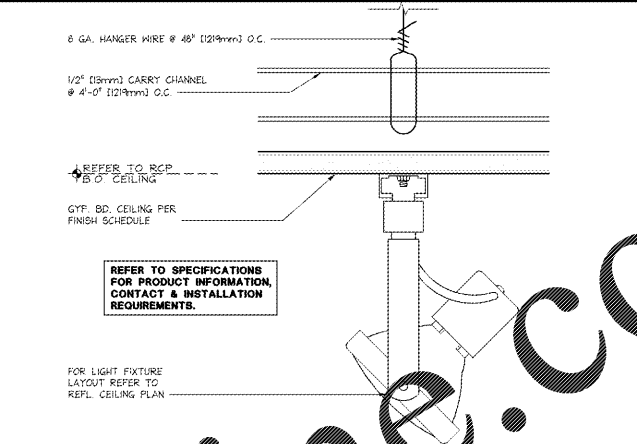
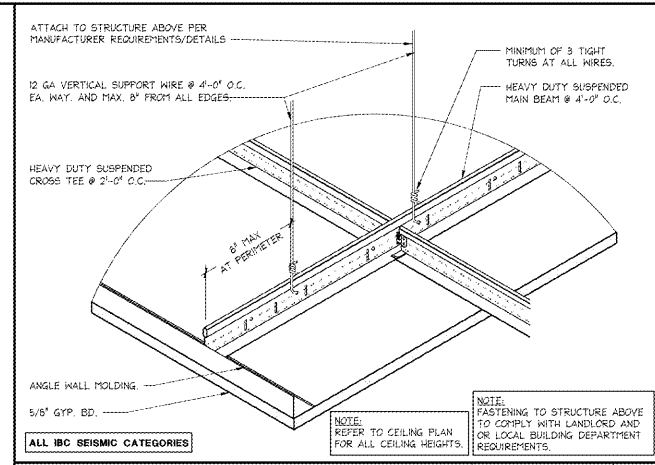


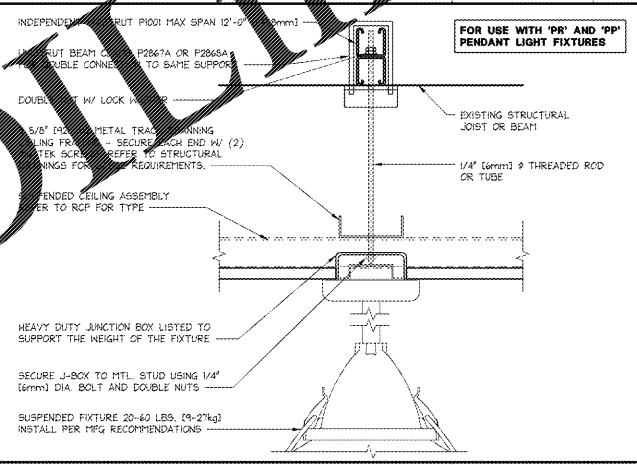
TROUGH LIGHT DETAIL
6" = 1'-0"
42D-A123-H00-DETL 06.14.09



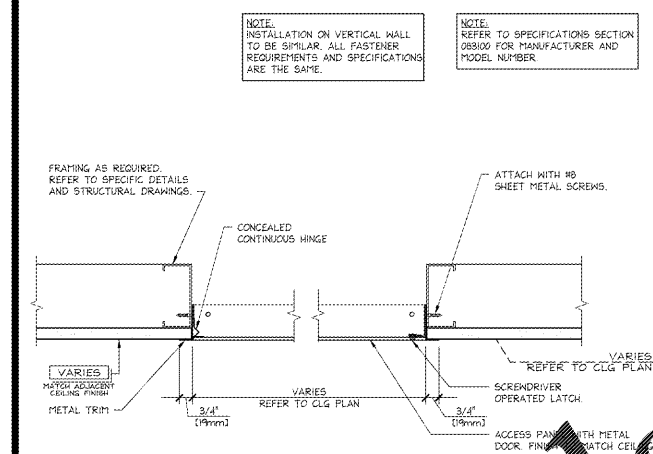
TRACK LIGHT - SURFACE MOUNTED
6" = 1'-0"
42D-A123-D00-DETL 06.14.09



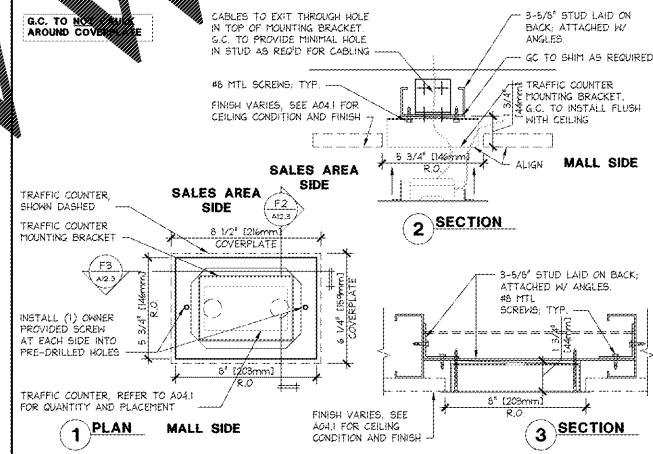
SUSPENDED GYP. BD. CEILING
3" = 1'-0"
05D-A1201-N00-DETL 02.18.17



SUSPENDED FIXTURE ATTACHMENT 20 - 60 LBS
3" = 1'-0"
42D-A123-C00-DETL 06.14.09



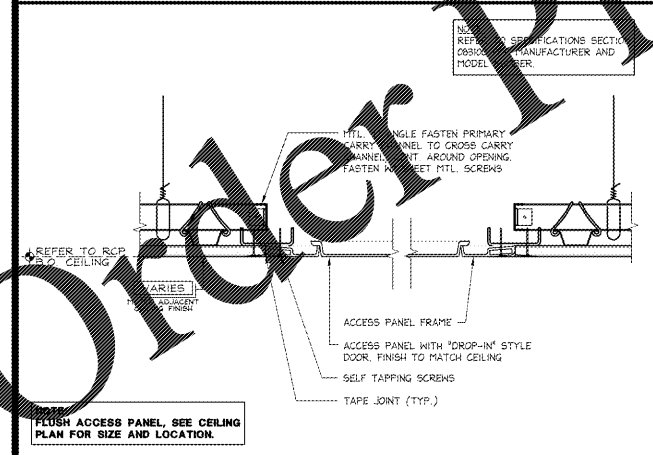
CEILING MOUNTED ACCESS PANEL METAL FLUSH MOUNTED
3" = 1'-0"
42D-A123-P00-DETL 02.14.17



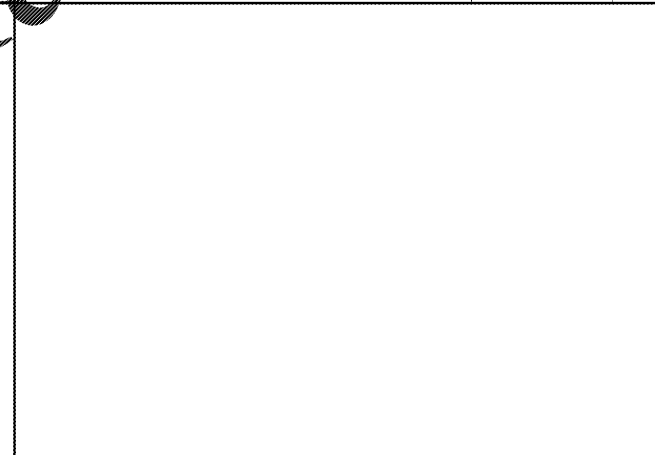
TRAFFIC COUNTER MOUNTING DETAIL
3" = 1'-0"
42D-A123-F00-DETL 09.29.16



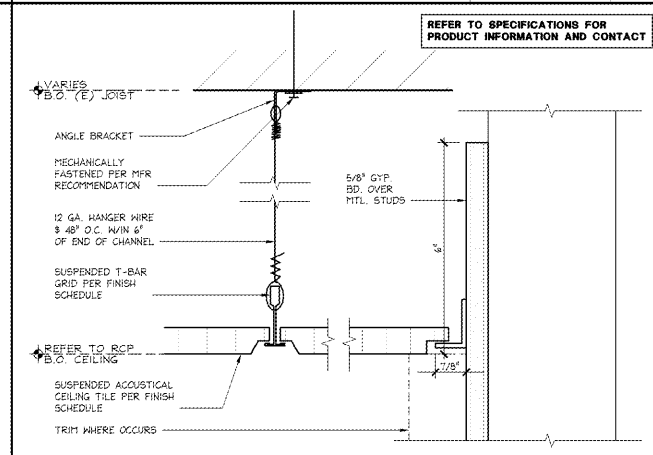
SUSPENDED FIXTURE ATTACHMENT 20 - 60 LBS
3" = 1'-0"
42D-A123-C00-DETL 06.14.09



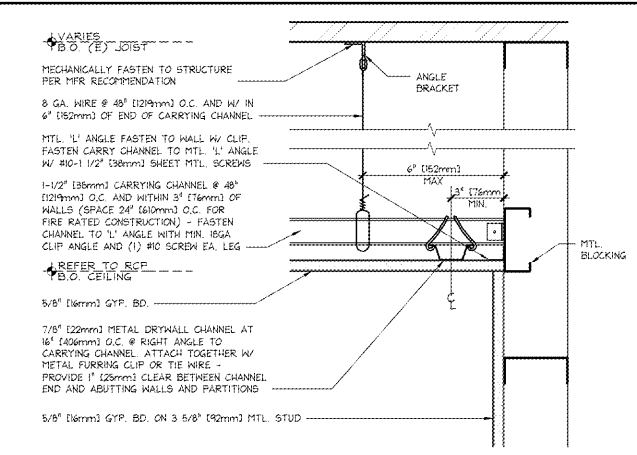
CEILING MOUNTED ACCESS PANEL DROP IN - TRIMLESS
3" = 1'-0"
42D-A123-N01-DETL 02.14.17



CEILING ASSEMBLY (A.C.T.)
3" = 1'-0"
05D-A1201-K02-DETL 05.05.17



CEILING ASSEMBLY (A.C.T.)
6" = 1'-0"
42D-A123-E00-DETL 09.14.09



CEILING @ PERIMETER WALL
3" = 1'-0"
42D-A123-A00-DETL 06.14.09

PROJECT INFORMATION:
104.01.2445.01
BATH & BODY WORKS
CHARLOTTE PREMIUM OUTLETS
5404 NEW FASHION WAY
SPACE NO. 240
CHARLOTTE, NC 28278

REVISIONS:

DATE ISSUED: 03/13/18
DESIGNED BY: SO
DRAWN BY: JPM
CHECKED BY: JPM

CEILING & LIGHTING DETAILS
DRAWING NUMBER:
A12.3

Order Plans @ WWW.LDLINE.COM