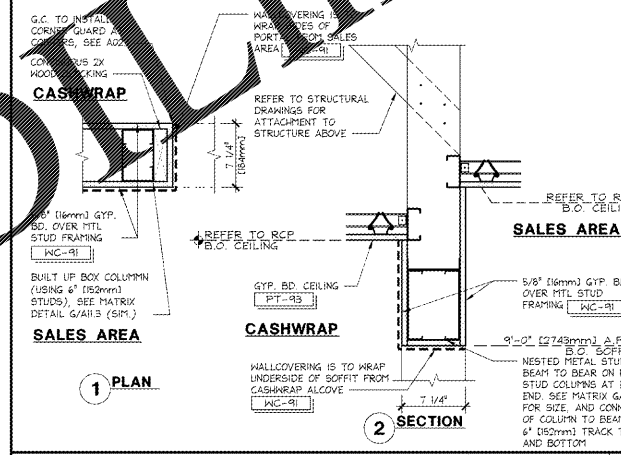
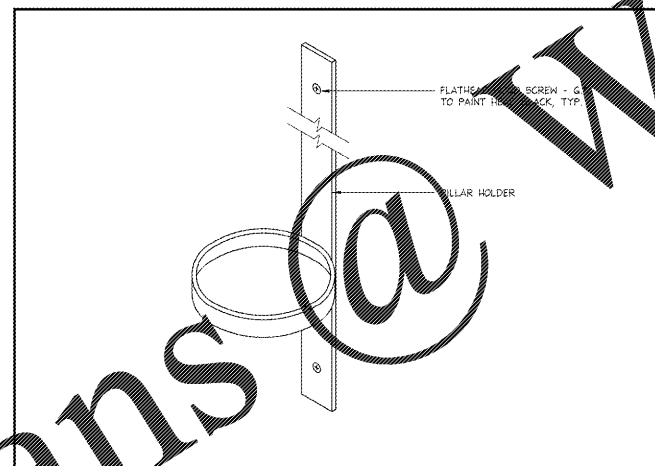


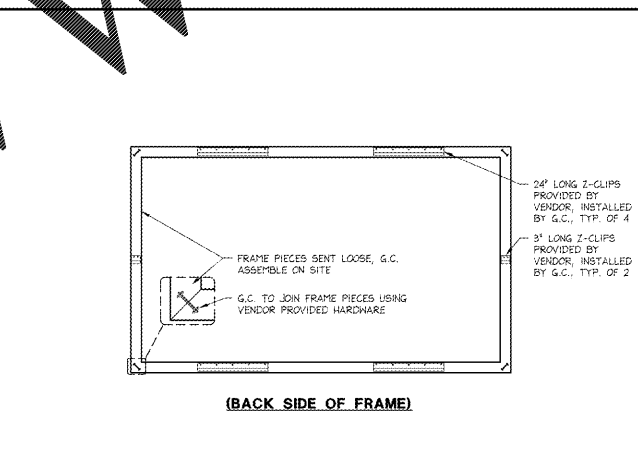
DETAIL AT WALL CLOCK 1 1/2" = 1'-0" 42D-A115-000-DET1 09.22.17



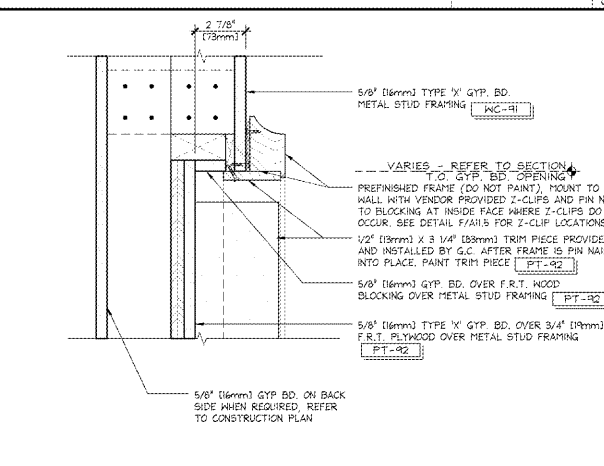
WBC CASHWRAP PASS-THRU 1 1/2" = 1'-0" 42D-A115-000-DET1 09.22.17



PILAR HOLDER DETAIL 6" = 1'-0" 42E-A115-K00-ELEV 02.08.15



FRAME ATTACHMENT DETAIL 1/2" = 1'-0" 42E-A115-F00-ELEV 02.27.17



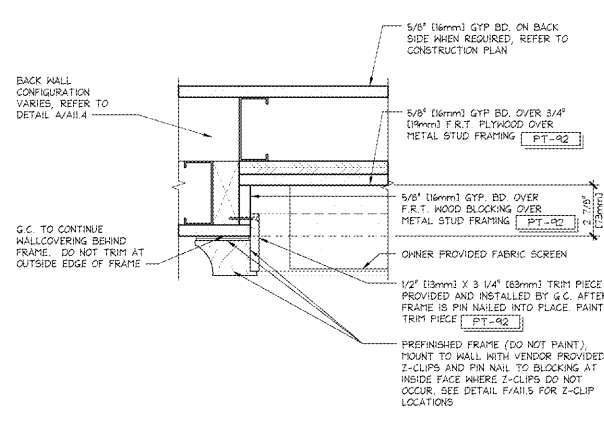
DETAIL @ SOFFIT (FABRIC SCREEN) 3" = 1'-0" 42D-A114-B01-DET1 10.10.17



NOT USED 1/2" = 1'-0" 42E-A115-J00-ELEV 09.26.17



NOT USED 1/2" = 1'-0" 42E-A115-E01-ELEV 02.22.17



DETAIL @ FRAME (FABRIC SCREEN) 3" = 1'-0" 42D-A115-A01-DET1 10.10.17

PROJECT INFORMATION:
104.01.2445.01
BATH & BODY WORKS
CHARLOTTE PREMIUM OUTLETS
5404 NEW FASHION WAY
SPACE NO. 240
CHARLOTTE, NC 28278
SCOPE: TYPE: BBW ES/USBC 2016 09/10/17/18 I/A/E PROJECT #:
NEW PACKAGE
USBC PROJECT #:
SIS: PKG 2
18151
310512

REVISIONS:
02/09/15 01
ELITE CONSTRUCTION GROUP
LAKE JACKSON, TN
PHONE: 615.282.8111
NOTE: THESE PRINTS HAVE BEEN REVISIONED BY SUBSEQUENT SCALE. WHAT BE 50 PERCENT OR WHAT IS NOTED ON PLANS.

DATE ISSUED: 03/13/18
DESIGNED BY: SO
DRAWN BY: JMH
CHECKED BY: KP

WBC CASHWRAP & BACKWRAP DETAILS

DRAWING NUMBER:
A11.5

Order Plans @ WWW.LDLINE.COM