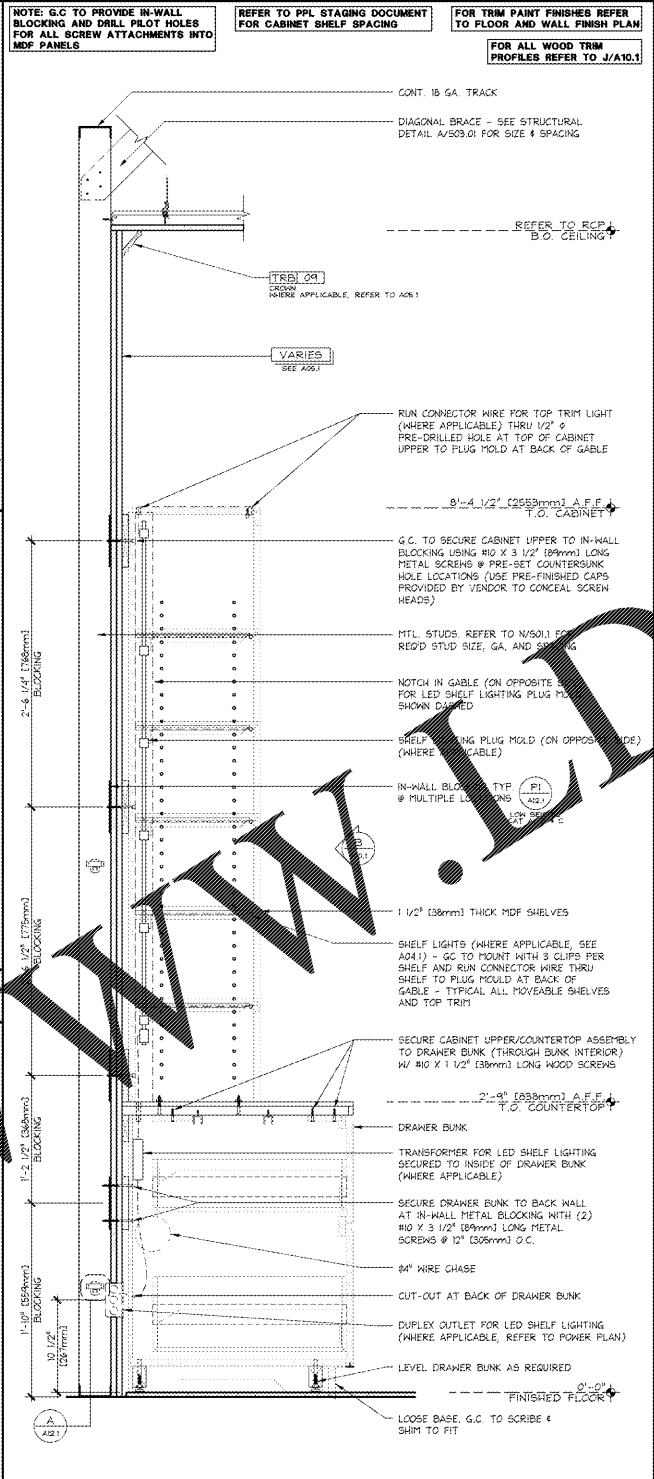
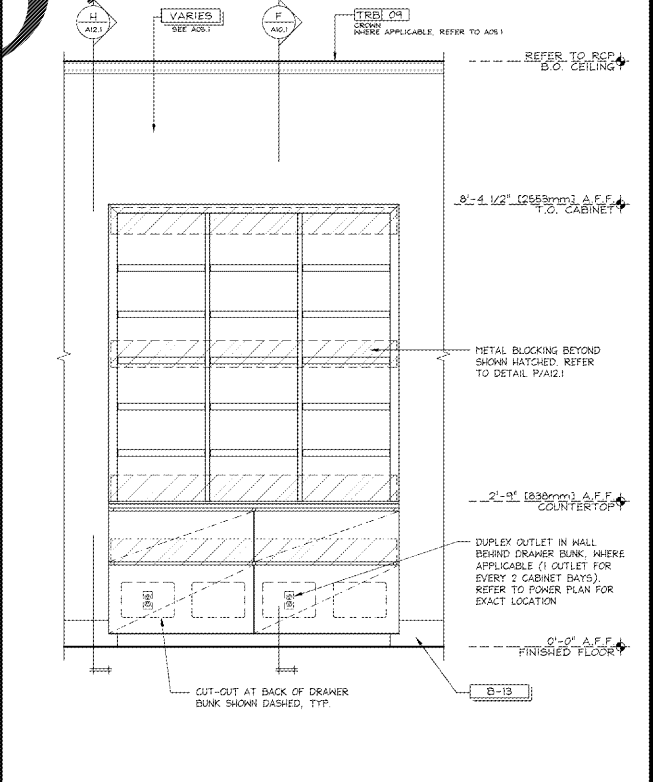


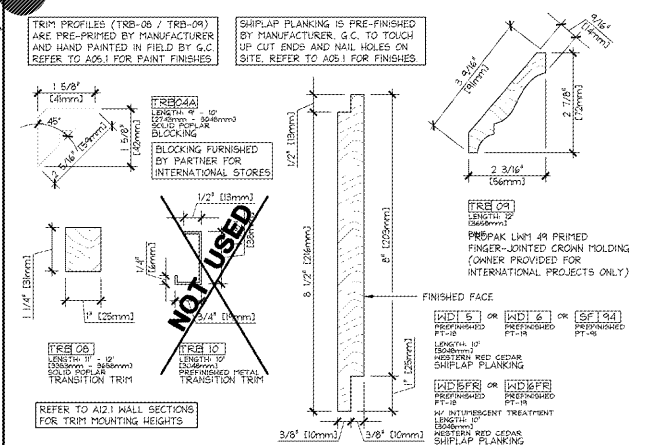
WALL CABINET INSTALLATION SEQUENCING
 1/2" = 1'-0"
 42D-A101-M00-DETL
 M
 11.20.17



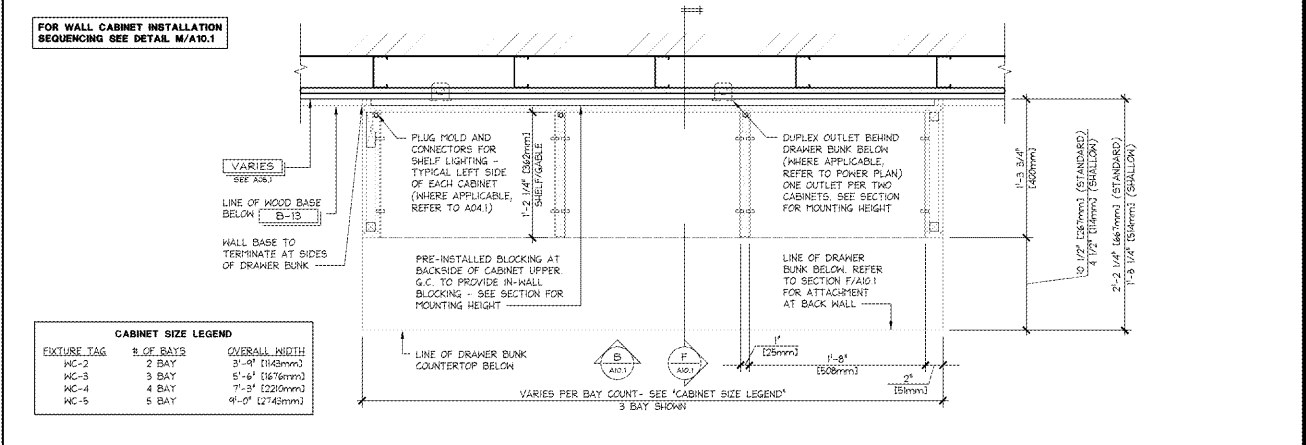
SECTION @ WALL CABINET BWWC#-V##-XX
 1 1/2" = 1'-0"
 42B-A101-F00-BECT
 F
 06.13.17



ELEVATION @ WALL CABINET BWWC#-V##-XX
 3/4" = 1'-0"
 42E-A101-B00-ELEV
 B
 12.24.17



TRIM PROFILE DETAILS
 1" = 1'-0"
 42B-A101-N00-SECT
 N
 11.15.17



ENLARGED PLAN @ WALL CABINET - BWWC#-V##-XX AND BWWC#-S-V##-XX
 1 1/2" = 1'-0"
 42D-A101-A00-DETL
 A
 06.13.17

NOT USED
 1 1/2" = 1'-0"
 42D-A101-L00-DETL
 L
 11.20.17

NOT USED
 1/2" = 1'-0"
 42E-A101-K00-ELEV
 K
 11.15.17

NOT USED
 1" = 1'-0"
 42B-A101-N00-SECT
 N
 11.15.17

PROJECT INFORMATION:
104.01.2445.01
BATH & BODY WORKS
CHARLOTTE PREMIUM OUTLETS
 5404 NEW FASHION WAY
 SPACE NO. 240
 CHARLOTTE, NC 28278
 SCOPE: TYPE: BBW ES/MS/CZ/15
 USBC PROJECT #: 031017078
 I/A/E PROJECT #:
 NEW PACKAGE
 DATE: 03/13/18
 18151502
 31831212

REVISIONS:
 ELITE CONSTRUCTION GROUP
 LANCE JACKSON, IN
 PHONE: 707.838.7711
 NOTE: THESE PRINTS HAVE BEEN
 REVISIONS BY: [REDACTED]
 WILL BE 50 PERCENT OF WHAT IS
 NOTED ON PLANS

DATE ISSUED: 03/13/18
 DESIGNED BY: SO
 DRAWN BY: KP
 CHECKED BY: JMH
BBW PERIMETER CABINETRY DETAILS
 DRAWING NUMBER:
A10.1

Order Plans @ www.dline.com