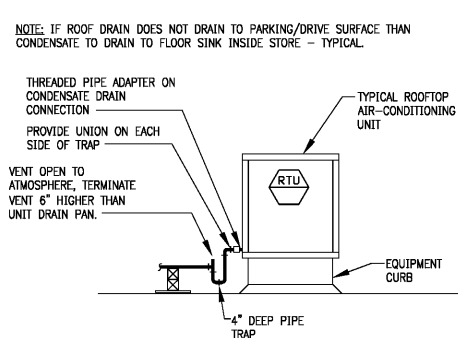
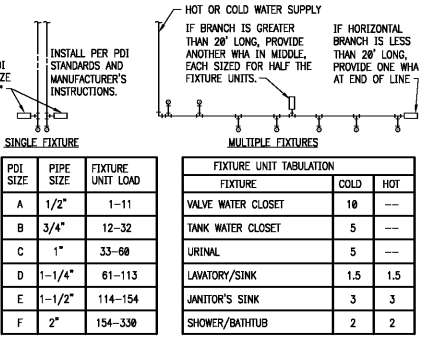


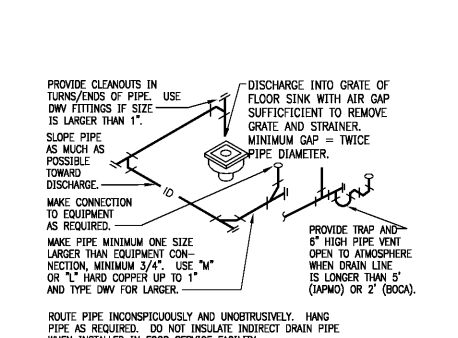
1 TANKLESS GAS WATER HEATER DETAIL
NOT TO SCALE



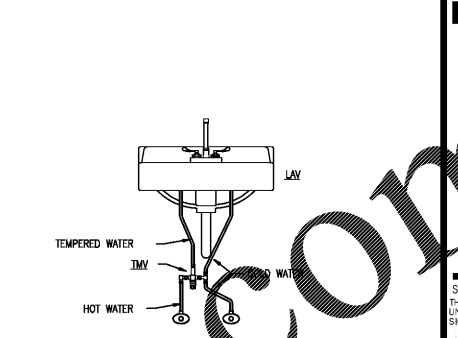
2 A.C. UNIT CONDENSATE DRAIN
NOT TO SCALE



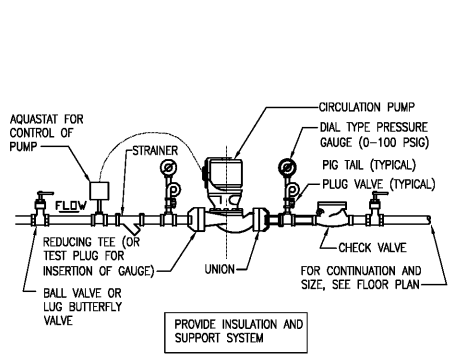
3 WATER HAMMER ARRESTORS
NOT TO SCALE



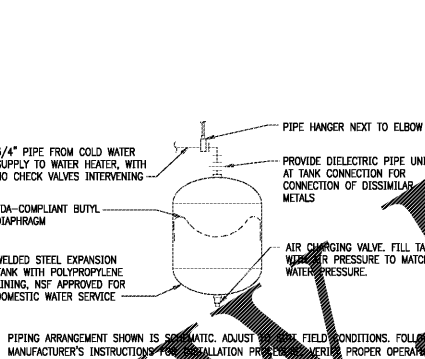
4 INDIRECT DRAIN
NOT TO SCALE



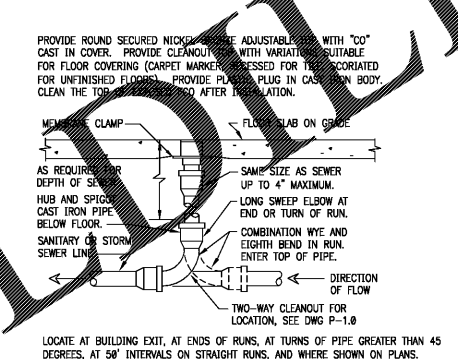
5 FLOOR MIXING VALVE
NOT TO SCALE



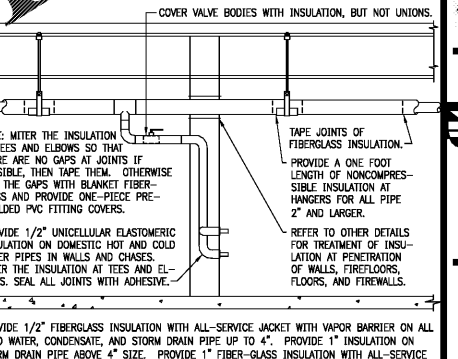
6 IN-LINE CIRCULATING PUMP DETAIL
NOT TO SCALE



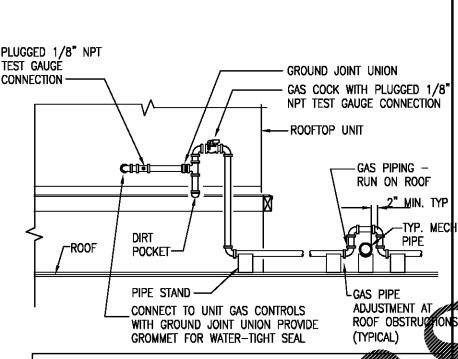
7 SMALL EXPANSION TANK
NOT TO SCALE



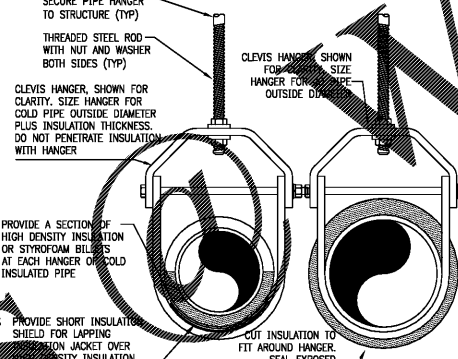
8 FLOOR CLEAN OUT
NOT TO SCALE



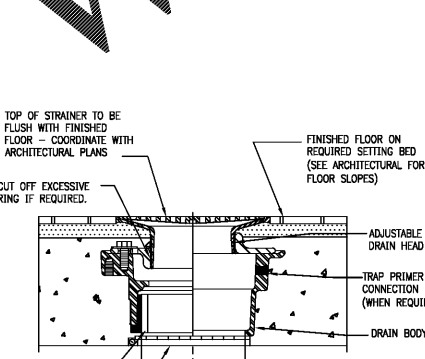
9 PIPE INSULATION
NOT TO SCALE



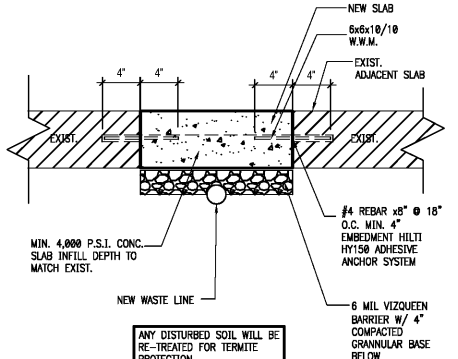
11 RTU GAS PIPE CONNECTION DETAIL
NOT TO SCALE



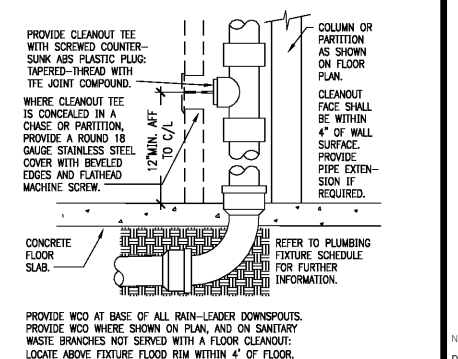
12 INSULATED PIPE HANGER DETAIL
NOT TO SCALE



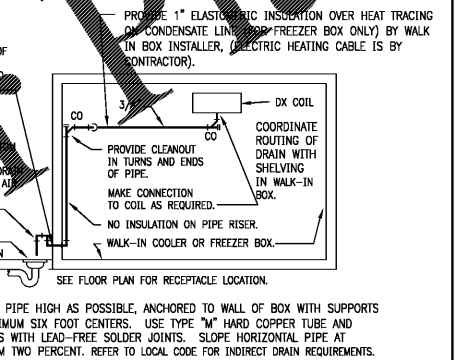
13 FLOOR DRAIN DETAIL
NOT TO SCALE



14 SLAB REPAIR DETAIL
NOT TO SCALE



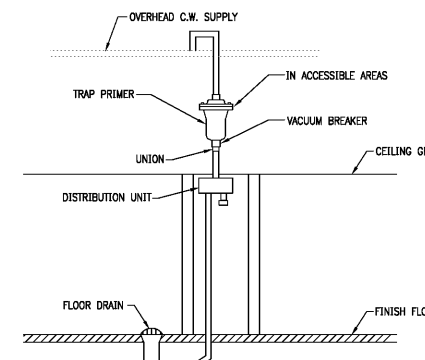
15 WALL CLEAN OUT
NOT TO SCALE



16 WALK-IN BOX CONDENSATE DRAIN
NOT TO SCALE



18 TYPICAL TRAP PRIMER DETAIL
NOT TO SCALE



19 3-COMPARTMENT SINK DETAIL
NOT TO SCALE

INTERPLAN
ARCHITECTURE
INTERIOR DESIGN
PROJECT MANAGEMENT

604 CORTLAND STREET
SUITE 100
TALLAHASSEE, FLORIDA 32304
PH 407.645.5008
FX 407.629.9124

SEAL: THIS DOCUMENT IS NOT FOR CONSTRUCTION UNLESS THE ARCHITECT OR ENGINEER'S SIGNATURE AND SEAL APPEAR BELOW.

Larson Engineering, Inc.
1498 Bond Street, Suite 100
Naperville, Illinois 60563-5503
(P) 630.357.0540 (F) 630.357.0194
ILLINOIS LICENSE NO. 184-001442
LEI Comm. No. 24180018.006
COPYRIGHT © 2018

04.11.18 PERMIT SUBMIT
04.04.18 OWNER REVIEW

NO DATE REMARKS

REVISIONS

Nothing But Cakes

CREEKSIDE PLAZA
4110 N. MT. JULIET RD.
MT. JULIET, TN 37122

PROJECT NO: 2018.0044
DATE: 04.11.18

P3.0
PLUMBING DETAILS

CHECKED: MFG DRAWN: JMA

Order Interplan.com