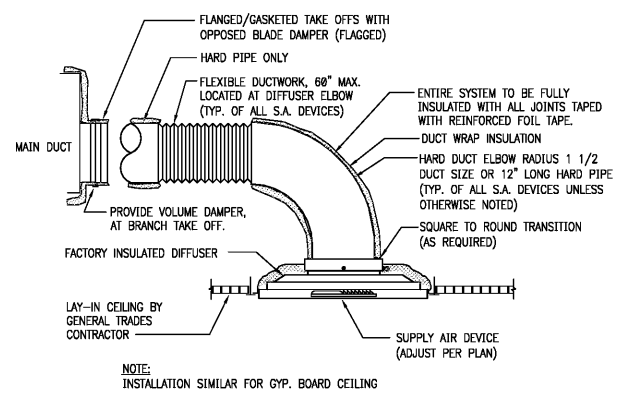
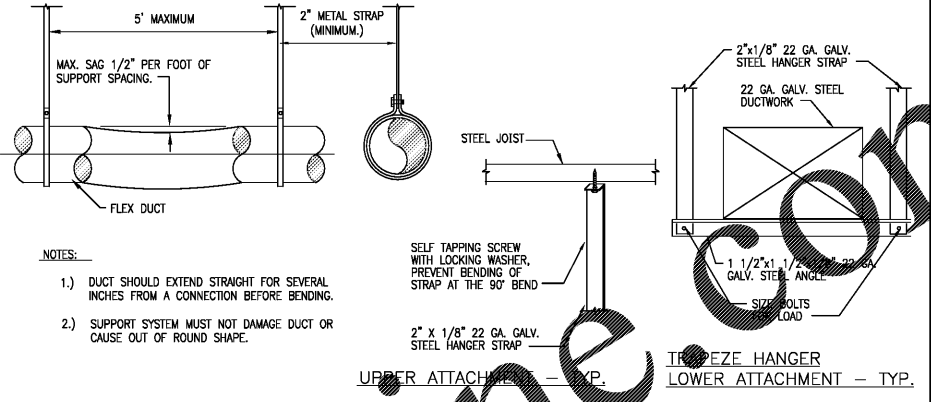


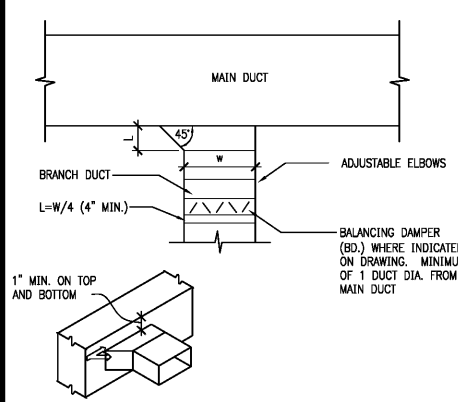
1 CONNECTION DIFFUSER DETAIL NTS



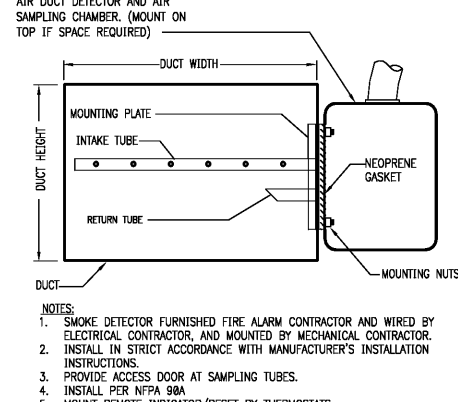
2 CONNECTION DUCT FITTING DETAIL NTS



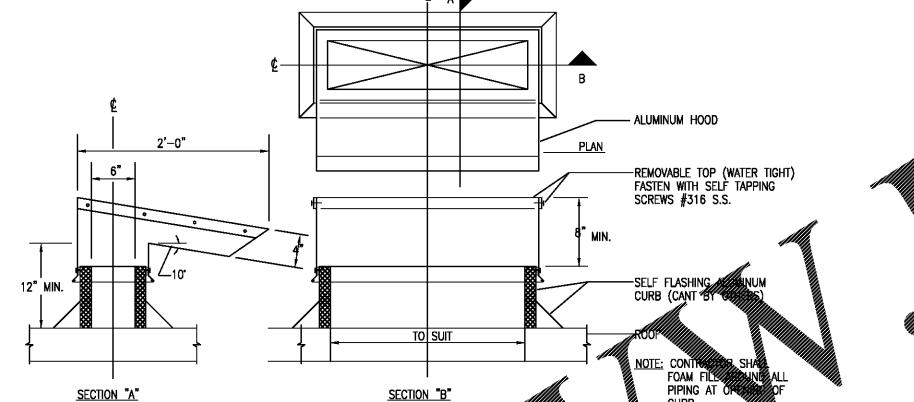
3 TYPICAL DUCT HANGING DETAIL NTS



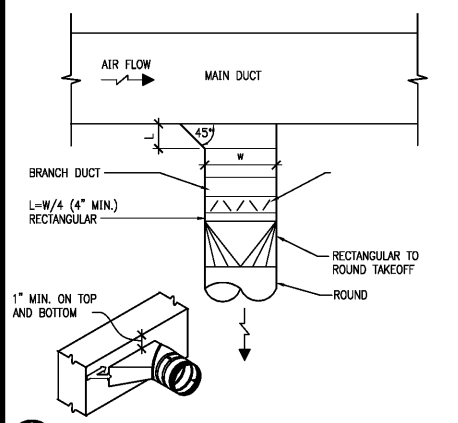
4 RECTANGULAR BRANCH CONNECT NTS



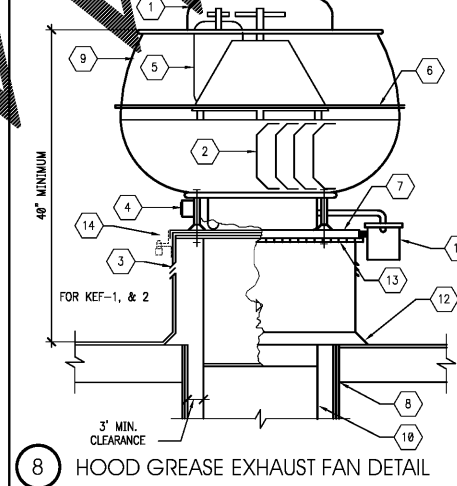
5 SMOKE DETECTOR MOUNTING DETAIL NTS



6 REFRIGERANT PIPING CURB DETAIL NTS

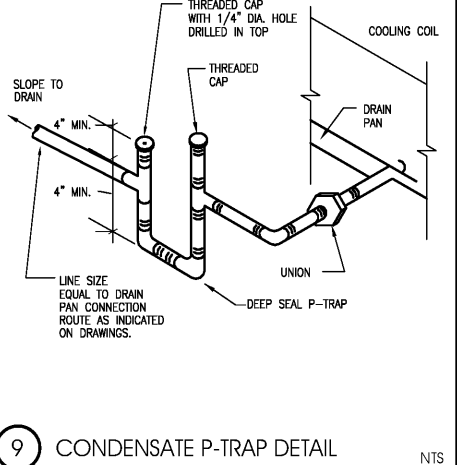


7 ROUND BRANCH CONNECTION NTS

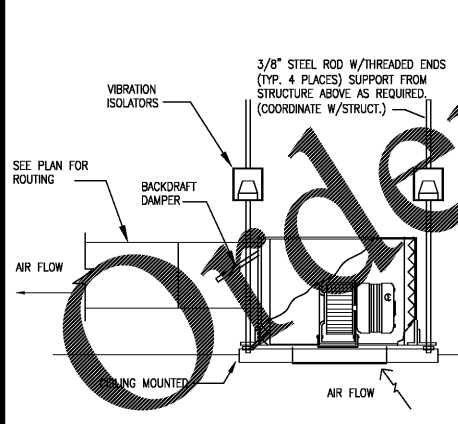


8 HOOD GREASE EXHAUST FAN DETAIL NTS

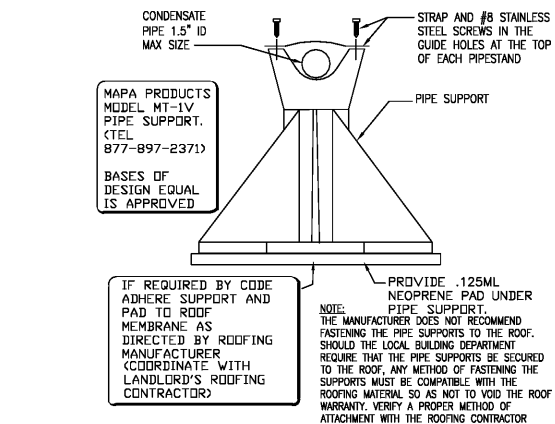
- 1 MOTOR DOME - ALUMINUM, REMOVABLE
- 2 FAN WHEEL - ALUMINUM, CENTRIFUGAL, BACKWARD INCLINED BLADES.
- 3 CURB - EXTENDED, STEEL, WELDED BY FAN MANUF.
- 4 ELECTRICAL CONDUIT STUB.
- 5 MOTOR - BELT DRIVE, ADJUSTABLE PULLEY, OUT OF AIR STREAM
- 6 BIRDSCREEN - ALUMINUM
- 7 FAN BASE - HEAVY GAUGE STEEL, ONE PIECE CONSTRUCTION, HINGED
- 8 ROOF OPENING - VERIFY WITH GENERAL CONTRACTOR AND MFR'S SUBMITTALS
- 9 WIND BAND - SPUN ALUMINUM, UPBLAST TYPE
- 10 EXHAUST DUCT - HEAVY GAUGE STEEL WITH FIRE PROOFING, INSULATION EQUAL TO FIRE MASTER
- 11 GREASE TROUGH - SECURE TO BASE
- 12 ROOF CURB
- 13 HINGED CURB FOR CLEANING, FLEXIBLE ELECTRICAL CONDUIT FOR EXTENSION AND CHAIN LOCK FOR OPEN POSITION.
- 14 PROVIDE LOREN COOK HINGED BASE KIT OR EQUAL. THE HINGED BASE KIT IS A FIELD INSTALLED



9 CONDENSATE P-TRAP DETAIL NTS

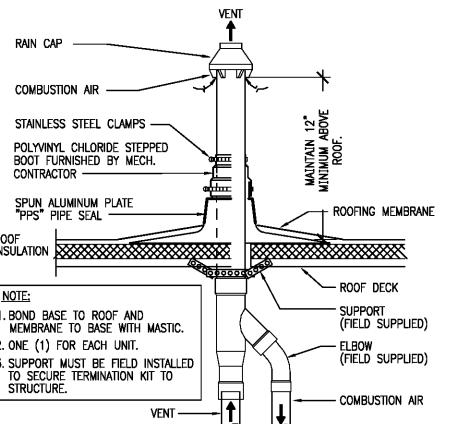


10 CABINET EXHAUST FAN DETAIL NTS



11 CONDENSATE PIPE SUPPORT DETAIL NTS

- NOTE:
1. THE MANUFACTURER DOES NOT RECOMMEND FASTENING THE PIPE SUPPORTS TO THE ROOF. SHOULD THE LOCAL BUILDING DEPARTMENT REQUIRE THAT THE PIPE SUPPORTS BE SECURED TO THE ROOF, ANY METHOD OF FASTENING THE SUPPORTS MUST BE COMPATIBLE WITH THE ROOFING MATERIAL SO AS NOT TO VOID THE ROOF WARRANTY. VERIFY A PROPER METHOD OF ATTACHMENT WITH THE ROOFING CONTRACTOR PRIOR TO INSTALLATION.
  2. IF A SUPPORT PAD IS TO BE UTILIZED PLACE PAD IN THE DESIGNATED SUPPORT AREA. IF SPECIFIED, ADHERE SUPPORT PAD TO ROOF MEMBRANE AS DIRECTED BY THE ROOFING MANUFACTURER.
  3. PLACE SUPPORT AS APPROPRIATE ON EITHER THE ROOF MEMBRANE OR CENTERED ON THE SUPPORT PAD, WHERE SPECIFIED ADHERE SUPPORT TO PAD. MAPA PRODUCTS RECOMMENDS E-6000 ADHESIVE.



12 CONCENTRIC VENT DETAIL NTS

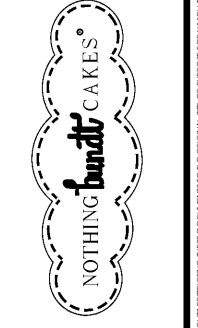
**INTERPLAN**  
 ARCHITECTURE  
 ENGINEERING  
 INTERIOR DESIGN  
 PROJECT MANAGEMENT

604 COURTLAND STREET SUITE 100  
 MIAMI, FLORIDA 33204  
 PH 407.645.5008  
 FX 407.629.9124

SEAL:  
 THIS DOCUMENT IS NOT FOR CONSTRUCTION UNLESS THE ARCHITECT OR ENGINEER'S SIGNATURE AND SEAL APPEAR BELOW.

**Larson Engineering, Inc.**  
 1498 Bond Street, Suite 100  
 Naperville, Illinois 60563-6503  
 (P) 630.357.0540 (F) 630.357.0154  
 ILLINOIS LICENSE NO. 184-001142  
 ILL. Comm. No. 24180016.006  
 COPYRIGHT © 2016

04.11.18 PERMIT SUBMIT  
 04.04.18 OWNER REVIEW  
 NO DATE REMARKS  
 REVISIONS



CREEKSIDE PLAZA  
 4110 N. MT. JULIET RD.  
 MT. JULIET, TN 37122

PROJECT NO: 2018.0044  
 DATE: 04.11.18

**M3.0**  
 MECHANICAL DETAILS

CHECKED: MFG DRAWN: ADW

Order Plans @ WWW.LDILLINE.com