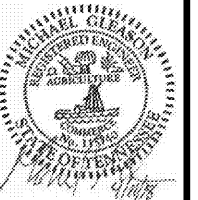
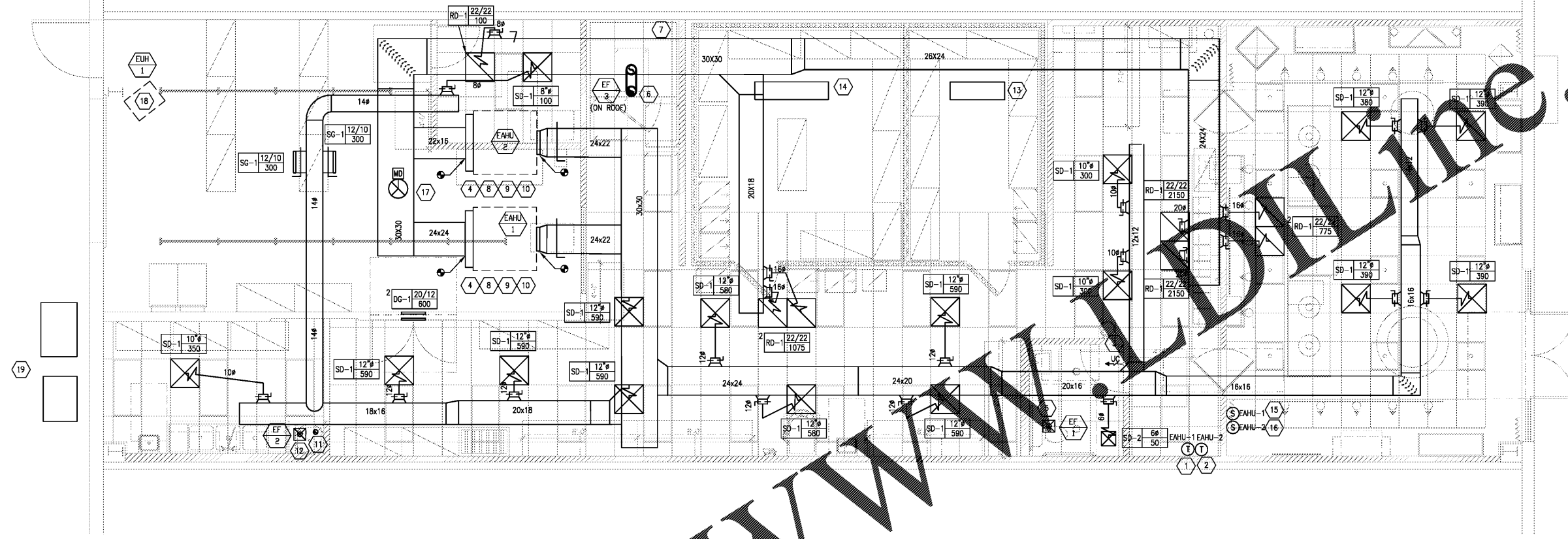
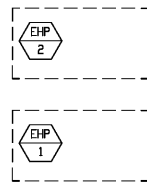


SEAL:
THIS DOCUMENT IS NOT FOR CONSTRUCTION
UNLESS THE ARCHITECT OR ENGINEER'S
SIGNATURE AND SEAL APPEAR BELOW.

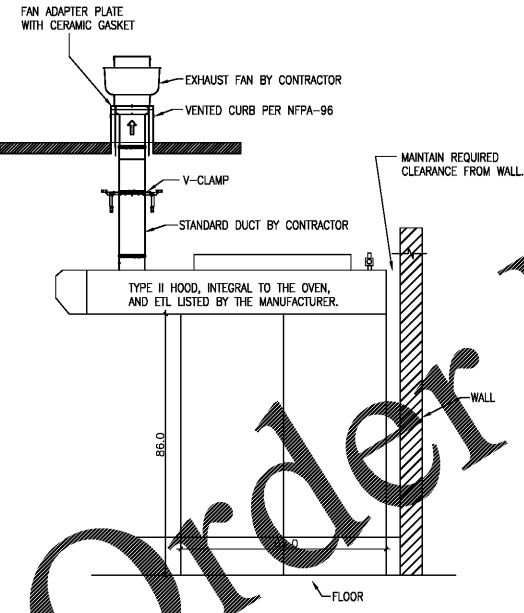


Larson
Engineering, Inc.

1498 Bond Street, Suite 100
Naperville, Illinois 60563-5903
(P) 630.357.0540 (F) 630.357.0154
ILLINOIS LICENSE NO. 184-001142
LEL Comm. No. 24180016.006
COPYRIGHT © 2016



1 MECHANICAL PLAN
SCALE: 1/4" = 1'-0"

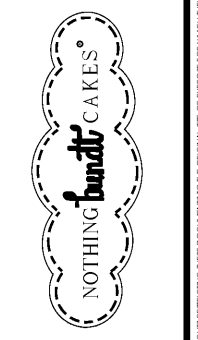


- PLAN KEYED NOTES
- PROVIDE NEW 7-DAY PROGRAMMABLE THERMOSTAT FOR EAHU-1. INSTALL W/ REMOTE SENSOR PER MANUFACTURER'S INSTRUCTIONS.
 - PROVIDE NEW 7-DAY PROGRAMMABLE THERMOSTAT FOR EAHU-2. INSTALL W/ REMOTE SENSOR PER MANUFACTURER'S INSTRUCTIONS.
 - UNDERCUT DOOR 1" FOR AIR PASSAGE.
 - ALL DUCTWORK SHALL HAVE AN IMPROVED PRESSURE SYSTEM BASED ON LOCAL CODE REQUIREMENTS. ALL SEAMS SHALL BE PRESSURE TESTED BASED ON DUCT PRESSURE RATING.
 - PROVIDE A CABINET STYLE EXHAUST FAN, INTERLOCK EXHAUST FAN WITH LIGHT SWITCH, 4" EXHAUST DUCT SHALL BE MINIMUM 26GA. GALVANIZED STEEL. PROVIDE RAIN CAP WITH INTEGRAL BIRD SCREEN, BACKDRAFT DAMPER, AND ACCESSORIES AS REQUIRED INCLUDING SPEED CONTROLLER CONCEALED AND ACCESSIBLE. PROVIDE ROOF CAP AND DISCHARGE VENT. MAINTAIN 10'-0" CLEARANCE ON ROOF FROM ANY FRESH AIR INTAKE. REFER TO EXHAUST FAN SCHEDULE SHEET M2.0.
 - 8" 90° CFM EXHAUST FAN FOR TYPE 2 HOOD COLLAR, TRANSITION TO EXHAUST FAN DUCT OPENING. FAN SIZED FOR 1" STATIC PRESSURE THROUGH OVEN AND DUCTWORK. LOCATE FAN ON ROOF 10'-0" FROM FRESH AIR INTAKE. PROVIDE BACK DRAFT DAMPER. FIELD VERIFY ROUTING PRIOR TO BID AND FABRICATION. VERIFY TERMINATION IS A MINIMUM 10' 0" FROM ALL OUTSIDE AIR INTAKE.
 - TYPE 2 EXHAUST FAN/HOOD, MECHANICAL CONTRACTOR SHALL INSTALL COMPLETE SYSTEM AS REQUIRED.
 - INTERLOCK EXHAUST FAN AND EAHU-2 FAN WITH OVEN EXHAUST FAN SO THAT WHEN THE OVEN IS IN USE, THE EXHAUST FAN (EF-3) AND AHU'S WILL RUN TOGETHER, TO MAINTAIN PROPER BUILDING PRESSURIZATION.
 - DUCT SIZES MUST BE VERIFIED FOR CLEARANCES AT THE JOB SITE BY G.G. PRIOR TO FABRICATION. CEILING HEIGHT, GAS LINE, AND SPRINKLER LINES RESTRICT DUCTWORK ROUTING. RESIZE AND ROUTE DUCTWORK THROUGH JOIST WEBBING AS REQUIRED. SIZE AT FRICTION LOSS OF 0.08 INCH OF WATER PER 100FT.
 - BRANCH TAKE-OFFS ARE NOT TO BE LOCATED CLOSER THAN 5'-0" DOWNSTREAM FROM ANY ELBOW INCLUDING THE SUPPLY AIR DROP FROM CURB. TRANSITION IN VERTICAL DROP FROM FULL SIZE OF CURB OPENING TO SIZE SHOWN. PROVIDE TURNING VANES IN SUPPLY ELBOW.
 - 4" CONCENTRIC VENT/CA KIT TO FROM GAS WATER HEATER VENTED UP THRU ROOF. ADJUST LOCATION AS NECESSARY TO ACCOMMODATE FIELD CONDITIONS. ALLOW FOR UP TO 10'-0" HORIZONTAL RUN IN BID FOR VENT FLUE.
 - PROVIDE CABINET STYLE EXHAUST FAN, INTERLOCK EXHAUST FAN WITH TIMELOCK, 4" EXHAUST DUCT SHALL BE MINIMUM 26GA. GALVANIZED STEEL. PROVIDE RAIN CAP WITH INTEGRAL BIRD SCREEN, BACKDRAFT DAMPER, AND ACCESSORIES AS REQUIRED INCLUDING SPEED CONTROLLER CONCEALED AND ACCESSIBLE. PROVIDE ROOF CAP AND DISCHARGE VENT. MAINTAIN 10'-0" CLEARANCE ON ROOF FROM ANY FRESH AIR INTAKE. REFER TO EXHAUST FAN SCHEDULE SHEET M2.0.
 - EVAPORATOR FOR COOLER INSTALLED ABOVE COOLER.
 - EVAPORATOR FOR CHILLER INSTALLED ABOVE CHILLER.
 - PROVIDE REMOTE SENSOR FOR EAHU-1. INSTALL PER MANUFACTURER'S INSTALLATION INSTRUCTIONS.
 - PROVIDE REMOTE SENSOR FOR EAHU-2. INSTALL PER MANUFACTURER'S INSTALLATION INSTRUCTIONS.
 - 16" OUTSIDE AIR DUCT UP TO IH-1 ON ROOF.
 - EXISTING UNIT HEATER TO REMAIN. G.C. TO VERIFY UNIT HEATER IS IN PROPER WORKING CONDITION & HAS ADEQUATE COMBUSTION AIR. IF UNIT IS FOUND TO NOT BE IN WORKING ORDER, GC TO VERIFY ELECTRICAL AND GAS REQUIREMENTS AND REPLACE WITH SIMILAR UNIT.
 - APPROXIMATE LOCATION OF REFRIGERATION EQUIPMENT CONDENSING UNIT. COORDINATE WITH FOOD SERVICE, ARCHITECTURAL AND ELECTRICAL DRAWINGS. PROVIDE RAILS FOR CONDENSING UNITS. COORDINATE RAIL SYSTEM WITH MANUFACTURER'S REQUIREMENTS AND STRUCTURAL ENGINEERS. CONTRACTOR INSTALLING REMOTE CONDENSERS SHALL VERIFY EXACT SIZE OF CONDENSER STAND.

- GENERAL PLAN NOTES
- DRAWINGS ARE DIAGNOSTIC ONLY AND REPRESENT THE GENERAL SCOPE OF THE WORK. PRIOR TO SUBMITTING BID, VISIT THE JOB SITE TO OBSERVE THE EXISTING CONDITIONS OF THE PROJECT. REVIEW GENERAL NOTES, SPECIFICATIONS AND PLANS FOR ADDITIONAL REQUIREMENTS THAT MAY NOT BE SPECIFICALLY CALLED OUT IN THIS PORTION OF THE CONSTRUCTION DOCUMENTS. NOTIFY ARCHITECT OF ANY CONFLICTS OR DISCREPANCIES PRIOR TO SUBMISSION OF BID.
 - INSTALLATION OF EQUIPMENT SHALL COMPLY WITH EQUIPMENT MANUFACTURER'S INSTALLATION AND CLEARANCE REQUIREMENTS.
 - BOTH OUTDOOR AIR SUPPLY AND EXHAUST DUCTS SHALL BE EQUIPPED WITH DAMPERS THAT WILL AUTOMATICALLY SHUT WHEN SYSTEMS OR SPACES SERVED ARE NOT IN USE.
 - ALL NEW SUPPLY AND RETURN DUCTWORK SHALL BE GALVANIZED STEEL, EXTERNALLY INSULATED WITH 2 INCH THICK, 1 POUND DENSITY FIBERGLASS DUCTWRAP. INSTALLED R VALUE SHALL BE A MINIMUM OF 8. SEAL ALL JOINTS AND SEAMS WITH GLASS FABRIC AND MASTIC MEETING UL 181. VERIFY R VALUE PRIOR TO BID.
 - DUCT SIZES SERVING DIFFUSERS AND GRILLES ARE SAME SIZE AS DIFFUSER OR GRILLE NECK UNLESS NOTED OTHERWISE.
 - ALL RESTROOM EXHAUST DUCTWORK SHALL BE GALVANIZED STEEL.
 - CONTRACTOR IS RESPONSIBLE FOR COORDINATING DIFFUSERS/REGISTERS BORDER STYLES WITH ARCHITECTURAL CEILING TYPES.
 - PROVIDE VOLUME BALANCING DAMPER AT ALL NINETY-DEGREE DUCT TAKE-OFFS. THIS ALSO APPLIES TO TAKE-OFFS TO DIFFUSERS OR REGISTERS LOCATED DIRECTLY UNDER DUCTS.
 - MAXIMUM LENGTH OF FLEX DUCTWORK SHALL BE 8 FEET OR PER LOCAL CODE.

- GENERAL PLAN NOTES
- MECHANICAL CONTRACTOR TO FIELD VERIFY WITH STRUCTURE ALL DUCT ROUTING PRIOR TO FABRICATION.
 - PROVIDE ACCESS TO ALL COMPONENTS REQUIRING PERIODIC INSPECTION AND SERVICE THAT ARE LOCATED WITHIN THE SPACE OR REQUIRE ACCESS THROUGH THE SPACE. LABEL ACCESS DOORS AND PANELS OR CEILING TILES UTILIZED FOR ACCESS WITH THE NAME OF THE HIDDEN COMPONENT(S). DEMONSTRATE ACCESS TO ALL HIDDEN COMPONENTS FOR THE FIELD REPRESENTATIVE PRIOR TO OCCUPANCY.
 - CONTRACTOR SHALL COMPLY WITH ALL LANDLORD'S TENANT CRITERIA. COORDINATE AND SCHEDULE ALL WORK WITH LANDLORD'S FIELD REPRESENTATIVE.
 - IDENTIFY ALL ROOF MOUNTED EQUIPMENT WITH STORE NAME AND UNIT NUMBER USING PERMANENT WEATHER PROOF 2" HIGH DIE-CUT LETTERS.
 - PROVIDE ALL NECESSARY TRANSITIONS AND OFFSETS IN SUPPLY AND RETURN AIR DUCTWORK TO AVOID EXISTING STRUCTURE, WATER, GAS, SPRINKLER PIPING, OTHER DUCTWORK, OTHER TRADES, ETC. DUCTWORK SHALL BE INSTALLED AS HIGH AS CONDITIONS WILL ALLOW.
 - ALL WORK SHALL CONFORM TO ALL APPLICABLE LOCAL AND STATE CODES AND REGULATIONS. APPLICABLE CODE: 2012 INTERNATIONAL BC, MC, PC, FC, 2012 ENERGY CODE, AND ELECTRICAL CODE 2014 W/ LOCAL AMENDMENTS.
 - ALL LOW AND MEDIUM PRESSURE AIR-CONDITIONING SUPPLY DUCTWORK SHALL BE SEALED PER 2012 INTERNATIONAL ENERGY CONSERVATION CODE.
 - METAL DUCT SHALL BE SUPPORTED PER THE MINIMUM REQUIREMENTS OF 2012 INTERNATIONAL MECHANICAL CODE SECTION 603.3 AND ROUND DUCT LESS THAN 41" DIAMETER SHALL BE BRACED AND GUYED TO PREVENT LATERAL OR HORIZONTAL SWING.
 - FACTORY MADE DUCTWORK SHALL BE SUPPORTED PER THE MINIMUM REQUIREMENTS OF 2012 INTERNATIONAL MECHANICAL CODE SECTION 603.3 OR AS SPECIFIED BY THE MANUFACTURER'S INSTALLATION INSTRUCTIONS PER INTERNATIONAL MECHANICAL CODE 603.4.

04.11.18 PERMIT SUBMIT
04.04.18 OWNER REVIEW
NO. DATE REMARKS
REVISIONS



CREEKSIDE PLAZA
4110 N. MT. JULIET RD.
MT. JULIET, TN 37122

PROJECT NO: 2018.0044
DATE: 04.11.18

M1.0
MECHANICAL FLOOR PLAN

CHECKED: MFG DRAWN: ADW

Order Plans @ WWW.ONLINE.COM

COPYRIGHT © 2016 INTERPLAN LLC. RESERVE RIGHTS RESTRICTING THESE DOCUMENTS TO THE ORIGINAL BEE OR TAMPOR FOR WHICH THEY WERE PREPARED. REPRODUCTIONS, CHANGES OR ASSIGNMENTS ARE PROHIBITED.