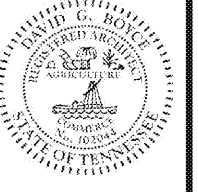


SEAL:
THIS DOCUMENT IS NOT FOR CONSTRUCTION
UNLESS THE ARCHITECT OR ENGINEER'S
SIGNATURE AND SEAL APPEAR BELOW



David G. Boyce
Digitally signed
by David G. Boyce
Date: 2018.04.11
14:23:45 -0400

SYMBOLS LEGEND

MARK	DESCRIPTION
	JACK & OUTLET IN CEILING FOR IP (SECURITY) CAMERA WITH COILED 10' FLEX. CONDUIT FOR SECURITY CAMERA ON SEPARATE CIRCUIT (IF REQUIRED).
	PHONE / FAX
	PHONE ONLY
	(2) CAT 5 DATA
	CEILING SPEAKER
	MEDIA PLAYER
	POINT OF SALES
	COMPUTER
	RECEIPT / TICKET PRINTER
	TELEPHONE
	ALL IN ONE PURPOSE PRINTER / FAX / SCAN

NOTES:

G.C. ELECTRICIAN TO CUT-IN AND INSTALL SINGLE GANG ELECTRICAL BOXES AND PULL CAT-5E CABLES FROM FLOOR LOCATIONS TO RNS VOICE/DATA PEG BOARD, REF. PLAN KEY NOTE 1). LEAVE 2" PIG TAIL AT EACH END FOR TERMINATION. BOXES TO BE MOUNTED AT COUNTER OUTLET HEIGHT UNLESS SPECIFIED. TERMINATION OF BOTH ENDS OF CABLES BY OTHERS.

G.C. ELECTRICIAN TO INSTALL OWNER PROVIDED CEILING MOUNTED SPEAKERS AND PULL 2 CONDUCTOR 14 GAUGE SPEAKER WIRE W/ 7'-0" DIGITAL AND TERMINATE AT MEDIA PLAYER AND AMP MUSIC SYSTEM. INSTALLATION OF EQUIPMENT BY OTHERS.

G.C. ELECTRICIAN TO PROVIDE (1) DUPLEX 110V OUTLET TO EACH OWNER DESIGNATED SECURITY CAMERA LOCATION AND PULL ONE CAT 5 CABLE TO DVR ITEM #11 WITH 2" PIG TAIL AT EACH END. INSTALLATION OF EQUIPMENT BY OTHERS.

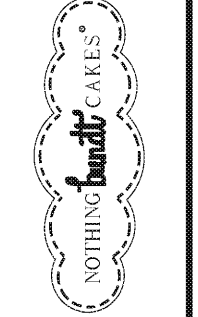
PLAN KEY NOTES

- NETWORK SOLUTIONS BOARD, REF. ELEV E
- 1" DIA. CONDUIT ROUTED IN WALL TO POS J BOX ABOVE CEILING FOR DEDICATED POS POWER
- HOMERUN TO ELEC. PANEL
- 1" DIA. CONDUIT FOR POS CAT 5 CABELING ROUTED IN WALL AND TERMINATE 6" ABV. CEILING. PROVIDE CAT 5 CABELING WITH 2" PIG TAIL AT NETWORK SOLUTION BOARD, SEE ELEV. "A"
- (1) 1" DIA. CONDUIT W/ DEDICATED CIRCUIT FOR P.O.S. (TERMINATE IN SINGLE ORANGE OUTLET AT 1'-6" A.F.F.)
- (1) 1" DIA. CONDUIT FOR DATA / COMMUNICATIONS CABELING. PROVIDE (2) CAT 5 CABELING WITH 2" PIG TAIL. (SEE-2/11.0)
- PROVIDE TELEPHONE LINE TO PHONE SYSTEM KNOCK DOWN PANEL 6" BELOW CEILING
- PROVIDE FAX LINE TO PHONE SYSTEM KNOCK DOWN PANEL
- PHONE SYSTEM KNOCK DOWN PANEL 6" BELOW CEILING
- MEDIA PLAYER AND AMP FOR MUSIC SYSTEM
- DIGITAL VIDEO RECORDER
- (1) 1" DIA. CONDUIT W/ DEDICATE CIRCUIT FOR REFRIG. UNIT (TERMINATE IN DUPLEX OUTLET) 1'-6" A.F.F.

04.11.18 PERMIT SUBMIT
04.04.18 OWNER REVIEW

NO. DATE REMARKS

REVISIONS

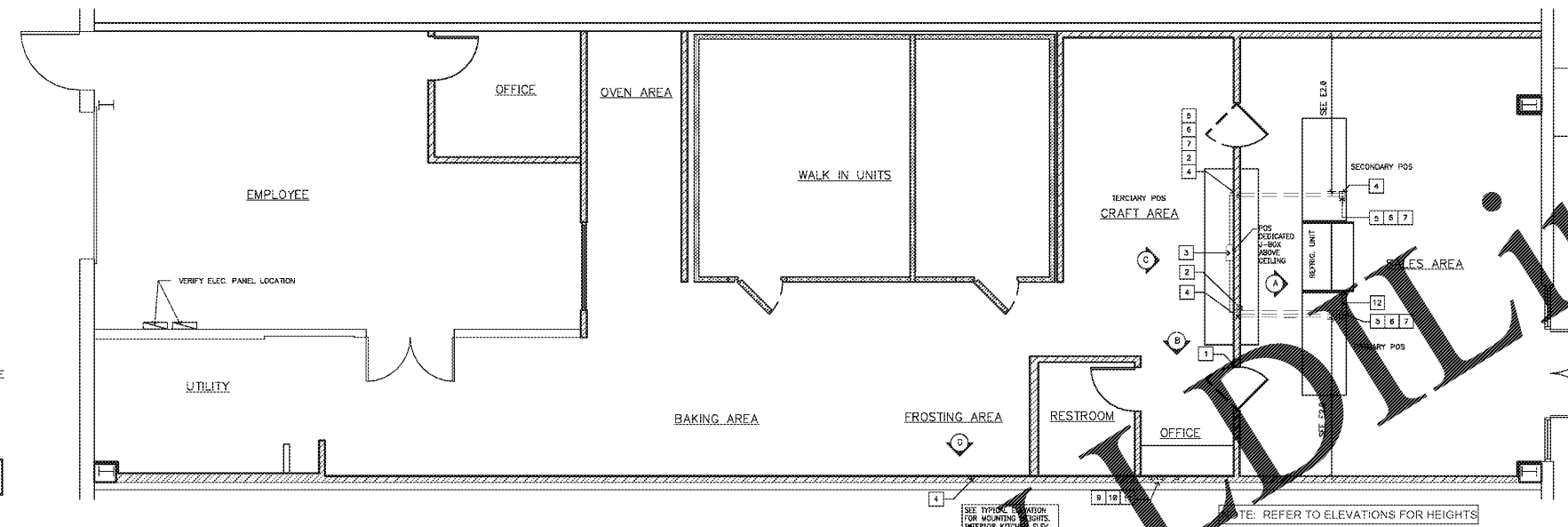


CREEKSIDE PLAZA
4110 N MT. JULIET RD.
MT. JULIET, TN 37122

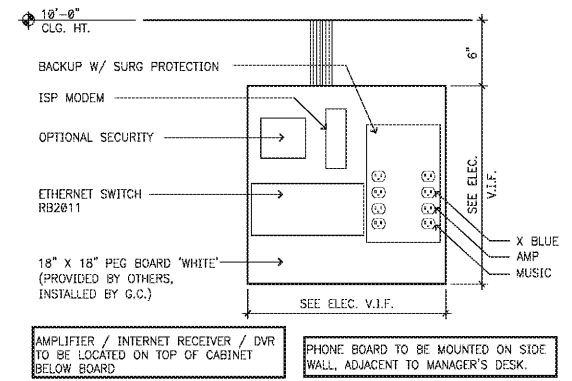
PROJECT NO: 2018.0044
DATE: 2018.03.14

A7.1
STANDARD PHONE/
DATA
CABLE/WIRING

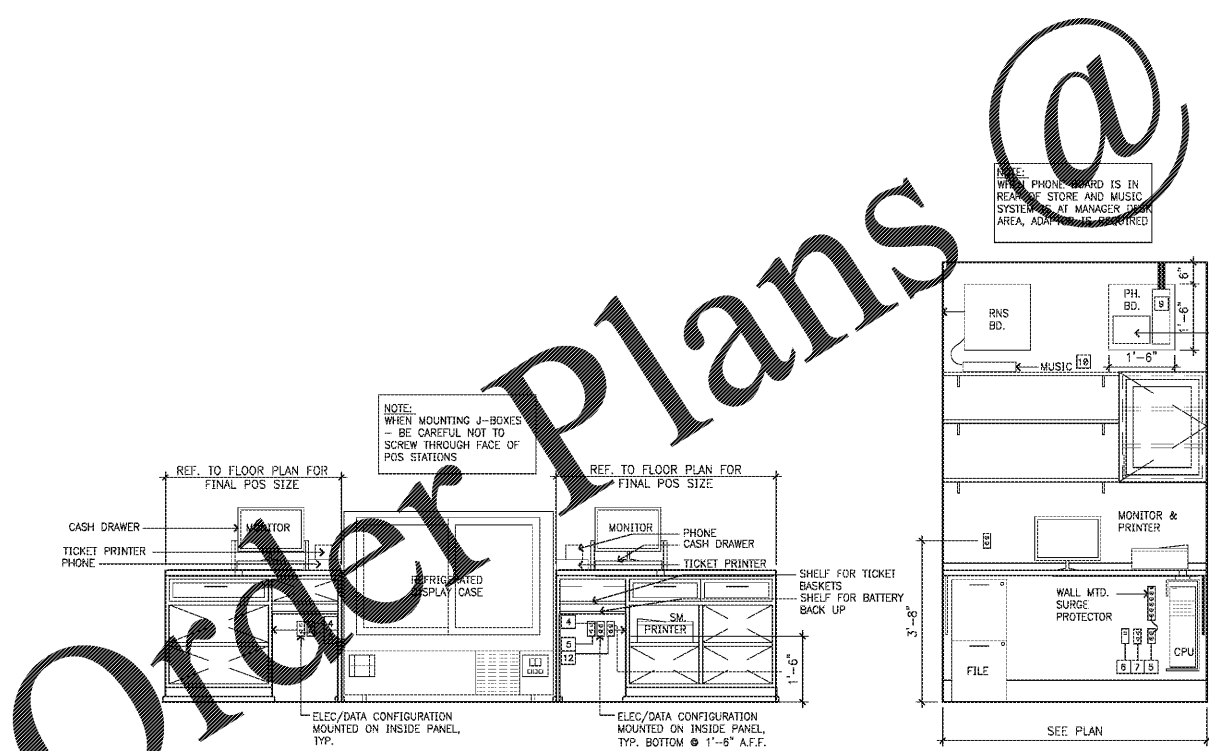
CHECKED: KCP DRAWN: ABKE



3 | TYPICAL COMMUNICATIONS PLAN
SCALE: 3/16" = 1'-0"
(CABLING AND WIRING)



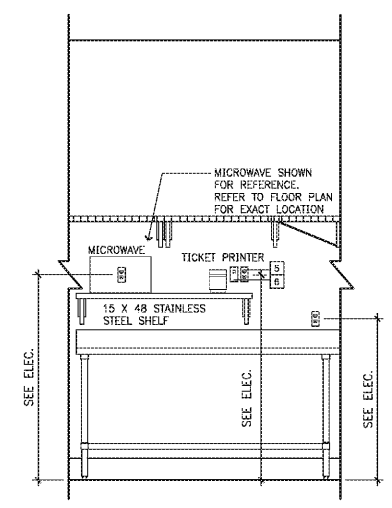
E COMM. BOARD DIAGRAM
SCALE: 1 1/2" = 1'-0"



A POS STATION
SCALE: 1/2" = 1'-0"

B MANAGER DESK
SCALE: 1/2" = 1'-0"

C CRAFTING COUNTER
SCALE: 1/2" = 1'-0"



D FROSTING AREA
SCALE: 1/2" = 1'-0"

Order Plans @

WWW.LDMLINE.COM

COPYRIGHT © 2018 INTERPLANE, LLC. RESERVED. ALL RIGHTS RESERVED. THIS DOCUMENT IS THE ORIGINAL. SITE OR PROJECT FOR WHICH THEY WERE PREPARED. REPRODUCTIONS, CHANGES OR ASSIGNMENTS ARE PROHIBITED.