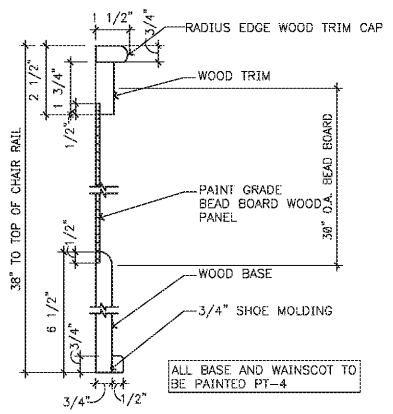
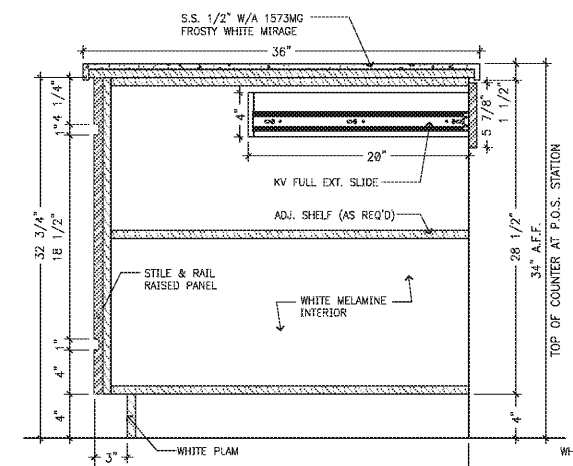


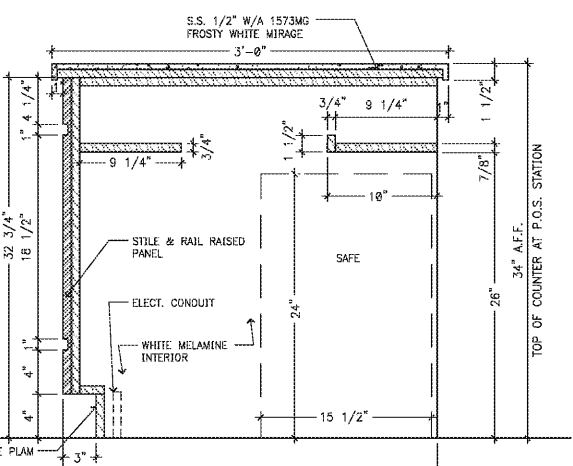
NOTE: BEADBOARD PANEL TO BE APPLIED WITH CONSTRUCTION ADHESIVE TO GYP. BD. SECURE TRIM AND BASE WITH FINISHING SCREWS TO MTL. STUD, COUNTERSINK, FILL, & SMOOTH FINISH PRIOR TO PAINT



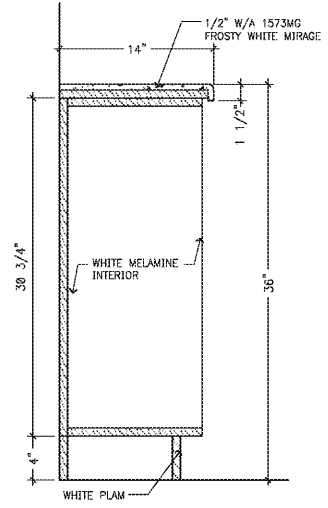
9 WAINSCOT DETAIL
SCALE: 3" = 1'-0"



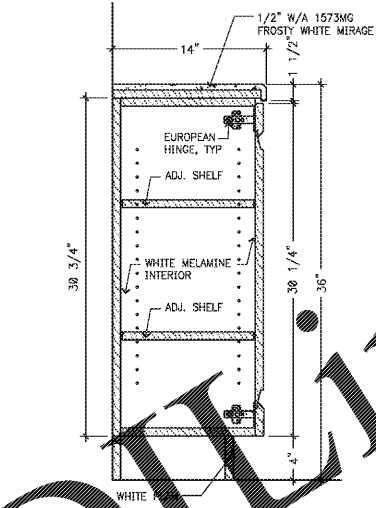
8 COUNTER SECTION @ DRAWER
SCALE: 1 1/2" = 1'-0"



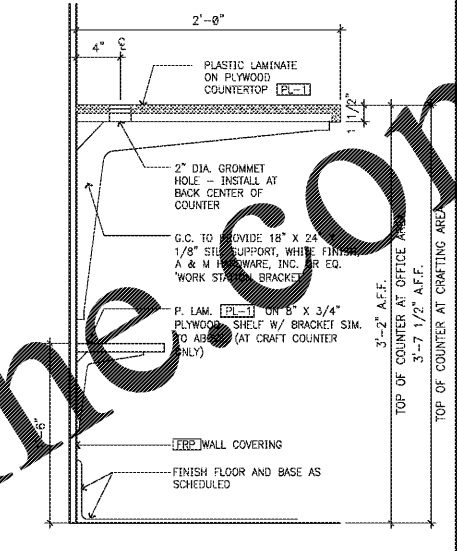
7 COUNTER SECTION @ SAFE
SCALE: 1 1/2" = 1'-0"



6 COUNTER SECTION
SCALE: 1 1/2" = 1'-0"



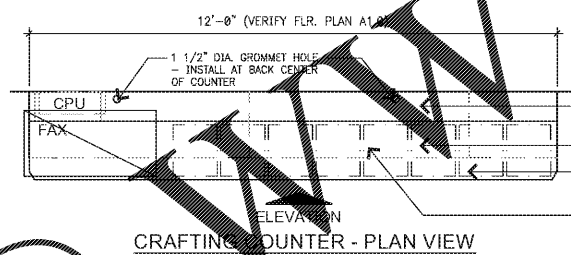
5 COUNTER SECTION
SCALE: 1 1/2" = 1'-0"



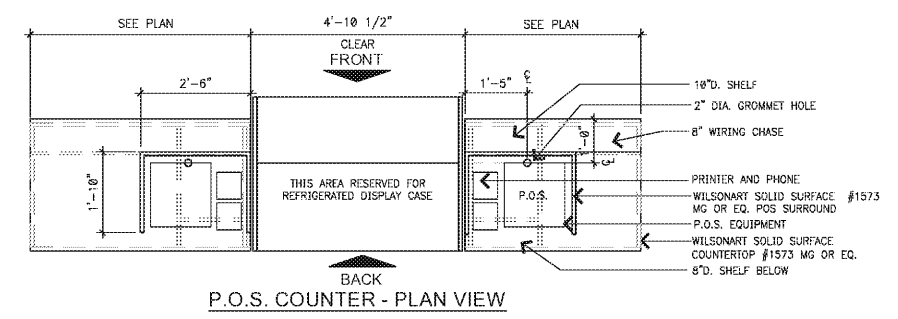
4 COUNTER SECTION
SCALE: 1 1/2" = 1'-0"

MILLWORK SECTIONS

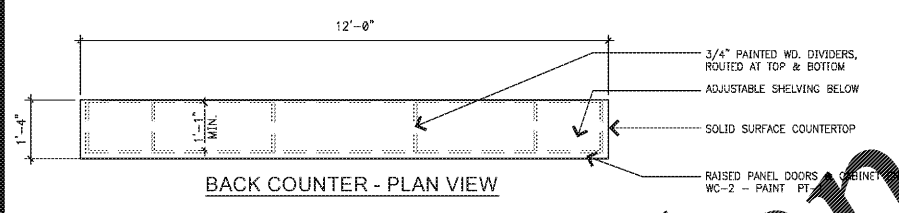
NOTE: P.O.S. COUNTERS, BACK COUNTER, AND WAINSCOT ARE SHIPPED TO STORE PRE-ASSEMBLED AS PART OF THE TENANT'S FIXTURE PACKAGE - G.C. TO INSTALL AND FINISH AS INDICATED.



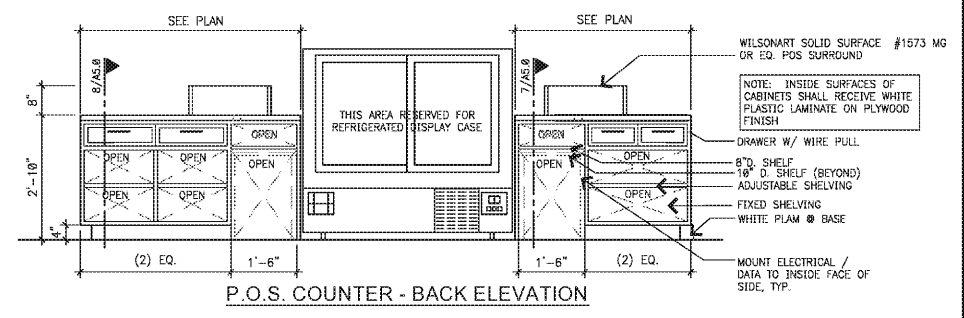
CRAFTING COUNTER - PLAN VIEW



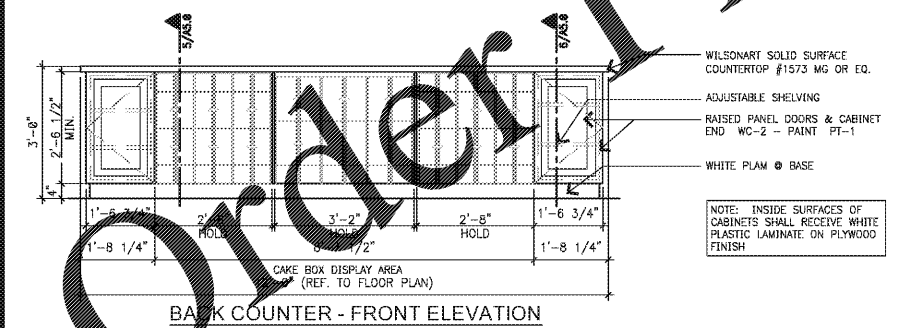
P.O.S. COUNTER - PLAN VIEW



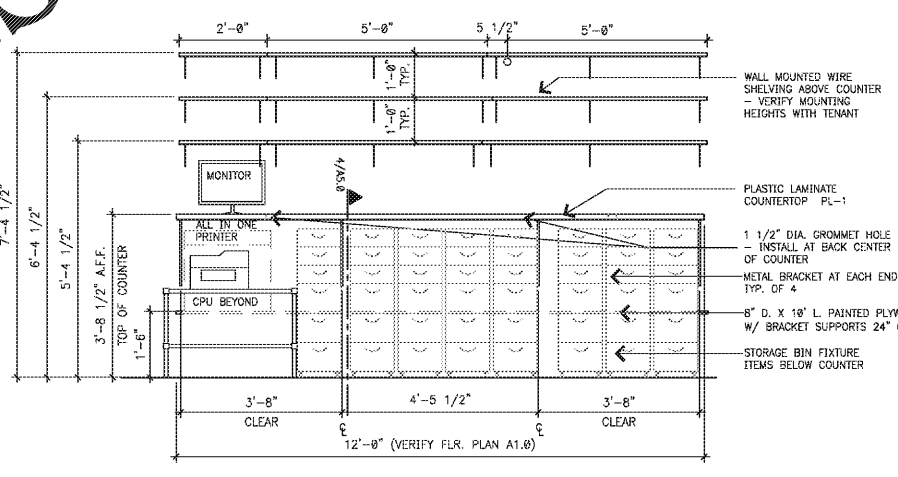
BACK COUNTER - PLAN VIEW



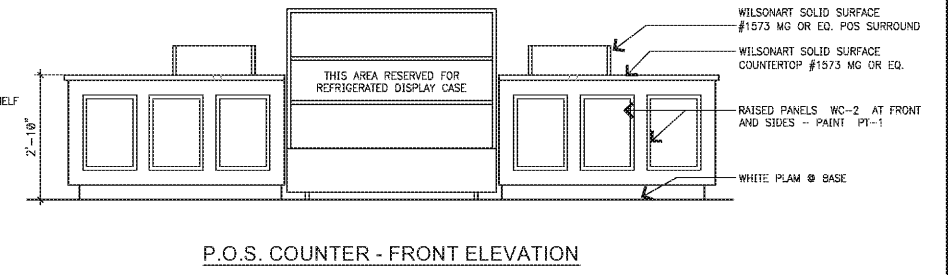
P.O.S. COUNTER - BACK ELEVATION



BACK COUNTER - FRONT ELEVATION



2 CRAFTING COUNTER MILLWORK
SCALE: 1/2" = 1'-0"



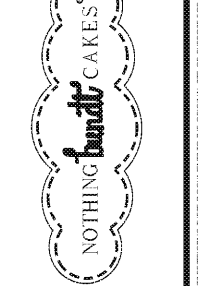
P.O.S. COUNTER - FRONT ELEVATION

3 P.O.S. BACK COUNTER MILLWORK
SCALE: 1/2" = 1'-0"

1 P.O.S. FRONT COUNTER MILLWORK
SCALE: 1/2" = 1'-0"

04.11.18 PERMIT SUBMIT
04.04.18 OWNER REVIEW

NO. DATE REMARKS



CREEKSIDE PLAZA
4110 N MT. JULIET RD.
MT. JULIET, TN 37122

PROJECT NO: 2018.0044
DATE: 2018.04.11

A5.0
MILLWORK/ COUNTER
DETAILS & SECTIONS

CHECKED: MCP DRAWN: ABKE

Order Plans @

WWW.LDOnline.com

COPYRIGHT © 2018 INTERPLANS, LLC. REPRODUCE OR TRANSMIT IN ANY FORM OR BY ANY MEANS, WITHOUT PERMISSION IN WRITING IS STRICTLY PROHIBITED.