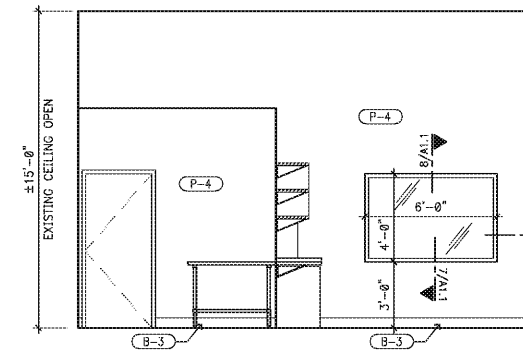
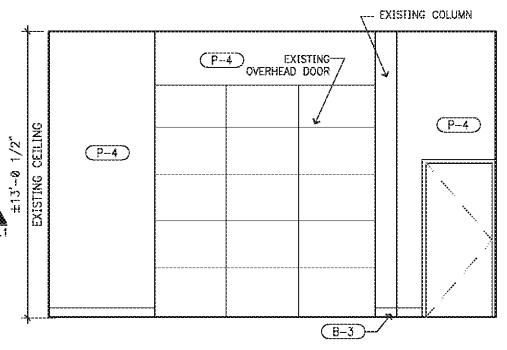


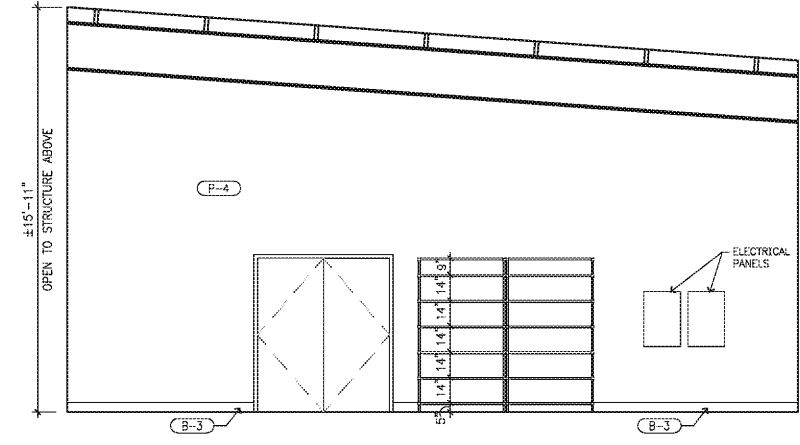
David G. Boyce
Digitally signed by David G. Boyce
Date: 2018.04.11 14:19:17 -0400



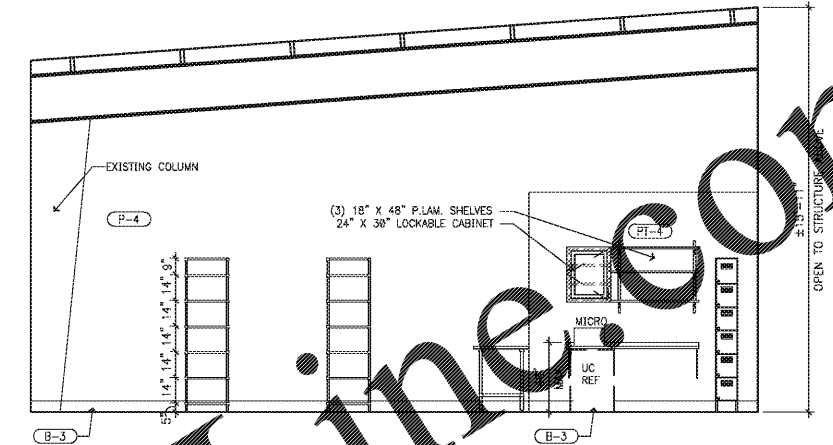
13 INTERIOR ELEVATION
SCALE: 1/4" = 1'-0"



14 INTERIOR ELEVATION
SCALE: 1/4" = 1'-0"

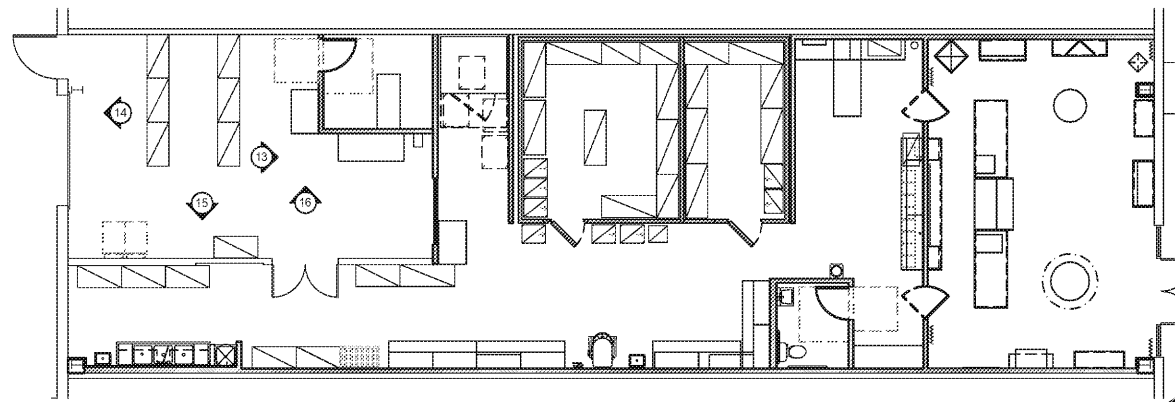


15 INTERIOR ELEVATION
SCALE: 1/4" = 1'-0"

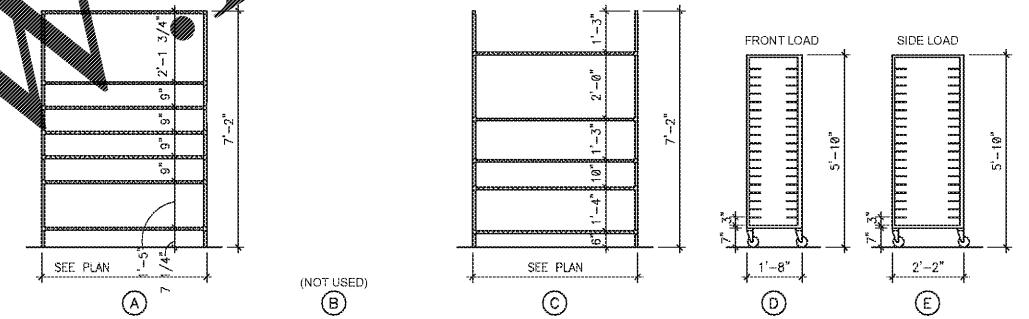


16 INTERIOR ELEVATION
SCALE: 1/4" = 1'-0"

INTERIOR ELEVATIONS CONTINUED...



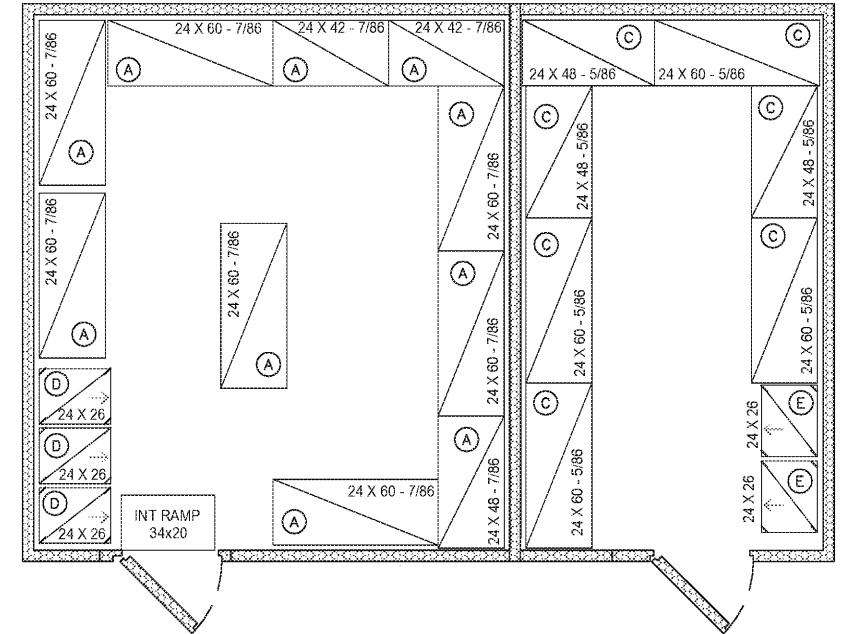
A KEY PLAN
SCALE: 1/8" = 1'-0"



TYPICAL SHELVING ELEVATIONS
SCALE: 3/8" = 1'-0"

STANDARD WALK-IN SHELVING PLAN & ELEVATIONS

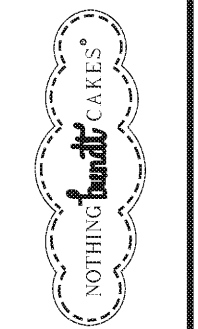
NOTE:
ALL WALK-IN UNITS VARY IN DEPTH AND LENGTH. THIS IS ONLY A SHELVING GUIDE FOR G.C. INSTALLATION OF SHELVING. CONSULT WITH OWNER FOR FINAL CONFIG. OF ALL SHELVING. DO NOT USE THIS PLAN FOR WALK-IN UNIT SIZING OR ORDERING.



1 FIXTURE / EQUIPMENT PLAN
SCALE: 3/8" = 1'-0"

Order Plans @

NO.	DATE	REMARKS
04.11.18	PERMIT SUBMIT	
04.04.18	OWNER REVIEW	



CREEKSIDE PLAZA
4110 N. MT. JULIET RD.
MT. JULIET, TN 37122

PROJECT NO: 2018.0344
DATE: 2018.04.11

A4.1
STANDARD SHELVING DETAILS
& INTERIOR ELEVATIONS

CHECKED: KCP DRAWN: AB/FE

COPYRIGHT © 2018 INTERPLAN, LLC. ALL RIGHTS RESERVED. REPRODUCTIONS, REVISIONS, CHANGES OR ASSUMPTIONS ARE PROHIBITED.