

Owner:  
Georgetown County  
716 Prince Street  
Georgetown, SC 29442

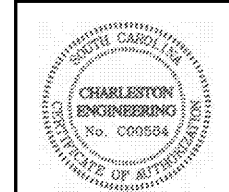
SGA ARCHITECTURE  
ARCHITECTURAL ARCHITECTURE  
Pawleys Island / Charleston / GREENVILLE  
8243 Ocean Hwy. / PO Box 1859  
Pawleys Island, SC 29585  
Phone: 843.237.2421 / Fax: 843.237.1992  
www.sgaarchitecture.com

Civil Consultant:  
**ETS**  
ENGINEERING AND TECHNICAL  
SERVICES, INC.  
CONSULTING ENGINEERS  
58 Calhoun Lane  
P.O. Box 2392  
Georgetown, SC 29426  
Phone: (843) 237-3002 Fax: (843) 237-2269

MEP Consultant:  
**Charleston Engineering**  
125 B. Wagon Creek Dr.  
Charleston, SC 29412  
843-762-4242  
Mechanical, Plumbing & Electrical

Structural Consultant:  
**WEATHERLY STRUCTURAL ENGINEERS**  
100 West Bay Blvd. Suite 200, Charleston, SC

Irrigation Consultant:



MEMBERS OF  
THE AMERICAN INSTITUTE OF ARCHITECTS  
COPYRIGHT 2018. ALL RIGHTS RESERVED.  
PRINTED OR ELECTRONIC DRAWINGS AND  
DOCUMENTATION MAY NOT BE REPRODUCED  
IN ANY FORM WITHOUT WRITTEN PERMISSION  
FROM SGA ARCHITECTURE

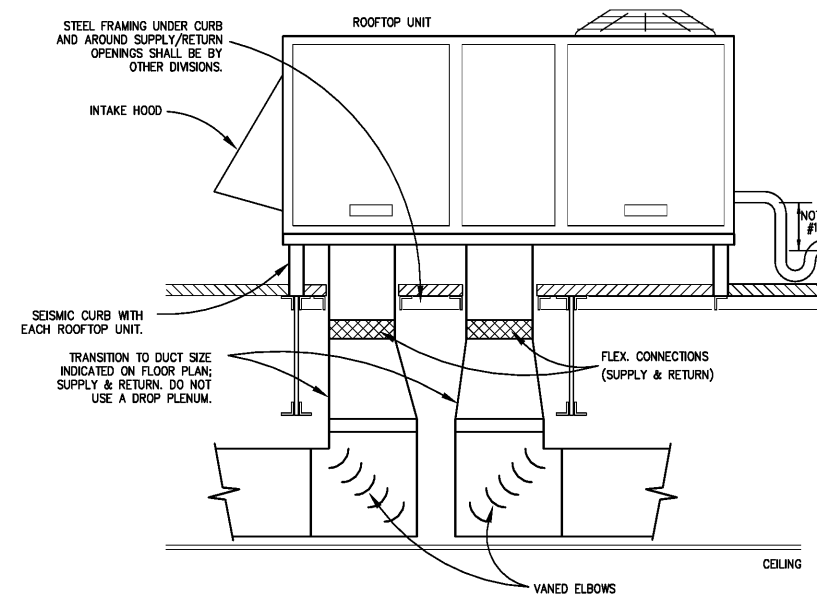
Job Number: 1788  
Date: 2/6/18  
Drawn by: TURNER  
Checked by: TURNER

Notes:  
**BIDDING DOCUMENTS**  
Not for Construction

Revisions:

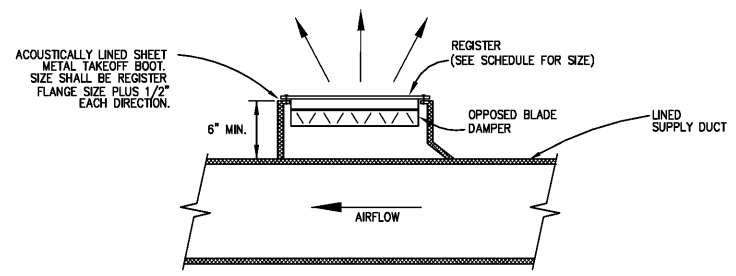
HVAC DETAILS

**M211**

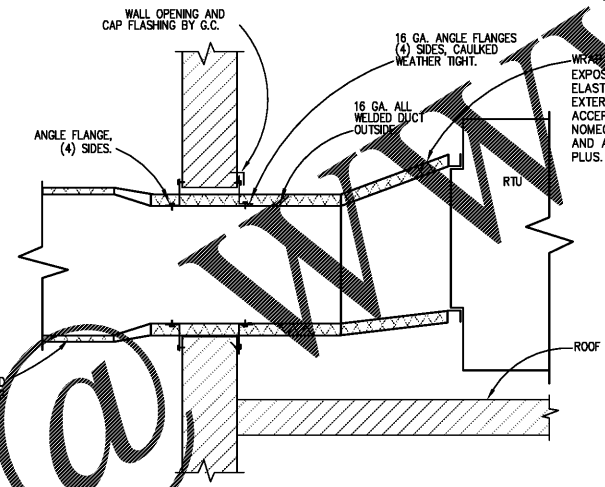


TYPICAL ROOFTOP UNIT DETAIL  
NO SCALE

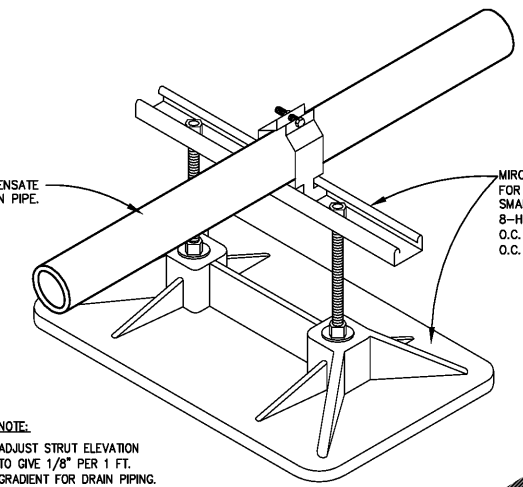
- NOTES:
- 1.) DISTANCE SHALL BE 2" OR 1/2" GREATER THAN THE FAN SUCTION PRESSURE (WHICH EVER IS GREATER).
  - 2.) GAS FIRED UNITS SHALL HAVE GAS PIPE RUN UP THROUGH ROOF CURB AND TURNED OUT THROUGH CURB FOR GAS CONNECTION. SEE PLUMBING DRAWINGS FOR GAS PIPE.



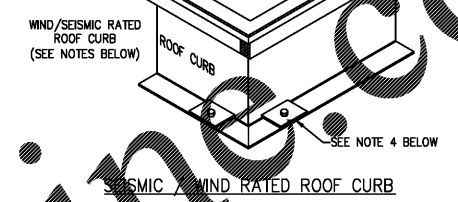
DUCT MOUNTED  
WALL REGISTER DETAIL  
NO SCALE



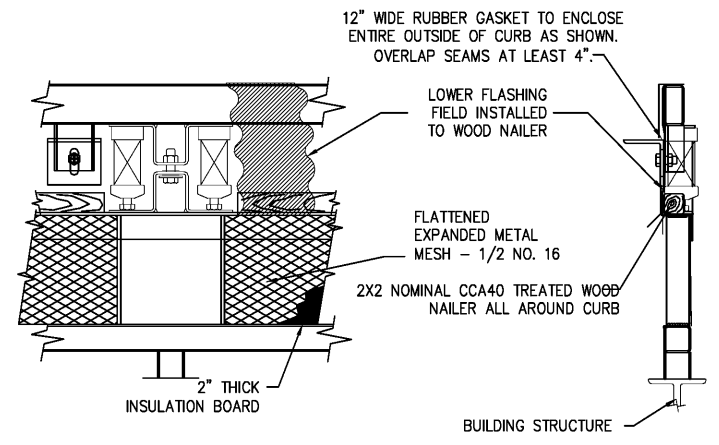
DETAIL OF DUCT PENETRATION THROUGH AN EXTERIOR WALL  
NO SCALE



ROOF PIPE SUPPORT DETAIL  
NO SCALE



NON ISOLATION ROOF CURB  
(5 TON AND LESS)  
(ALL ERV'S)



VIBRATION ISOLATION ROOF CURB  
SEISMIC AND / OR WIND RATED

MANUFACTURER	MODEL	ALL ROOF CURBS, THEIR ATTACHMENT TO STRUCTURE & THE UNIT ATTACHMENT TO THE CURB MUST BE EVALUATED FOR WIND LOADING. WHERE SEISMIC RESTRAINT IS REQUIRED, THE MORE DEMANDING FORCE OF WIND & SEISMIC MUST BE USED.
AMBER / BOOTH	RTIC	
VMC GROUP	P-6200	
MASON IND.	RSC	

(7.5 TON AND GREATER)

Order Plans