

Owner:  
Georgetown County  
716 Prince Street  
Georgetown, SC 29442

SGA ARCHITECTURE  
ARCHITECTURAL ARCHITECTURE

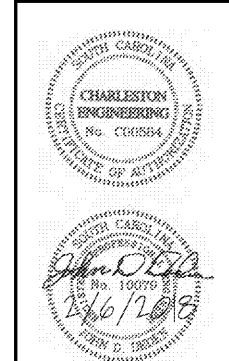
Pawleys Island / Charleston / GREENVILLE  
8243 Ocean Hwy., / PO Box 1859  
Pawleys Island, SC 29585  
Phone: 843.237.2421 / Fax: 843.237.1992  
www.sgaarchitecture.com

Civil Consultant:  
**ETS**  
ENGINEERING AND TECHNICAL  
SERVICES, INC.  
CONSULTING ENGINEERS  
58 Calhoun Street  
P.O. Box 2392  
Georgetown, SC 29442  
Phone: (843) 237-3002 Fax: (843) 237-2269

MEP Consultant:  
**Charleston Engineering**  
121 B Wiggins Creek Dr.  
Charleston, SC 29412  
843-762-4242  
Mechanical, Plumbing & Electrical

Structural Consultant:  
**WEATHERLY STRUCTURAL ENGINEERS**  
1000 North Main Street, Suite 200  
Georgetown, SC 29442  
843-762-4242

Irrigation Consultant:



MEMBERS OF  
THE AMERICAN INSTITUTE OF ARCHITECTS  
COPYRIGHT 2018. ALL RIGHTS RESERVED.  
PRINTED OR ELECTRONIC DRAWINGS AND  
DOCUMENTATION MAY NOT BE REPRODUCED  
IN ANY FORM WITHOUT WRITTEN PERMISSION  
FROM SGA ARCHITECTURE

Job Number: 1788  
Date: 2/6/18  
Drawn by: SMITH  
Checked by: DEEDEN

Notes:

**BIDDING DOCUMENTS**  
Not for Construction

Revisions:

PLUMBING SPECS.  
& SCHEDULES  
**P211**

**Plumbing Fixture Schedule**

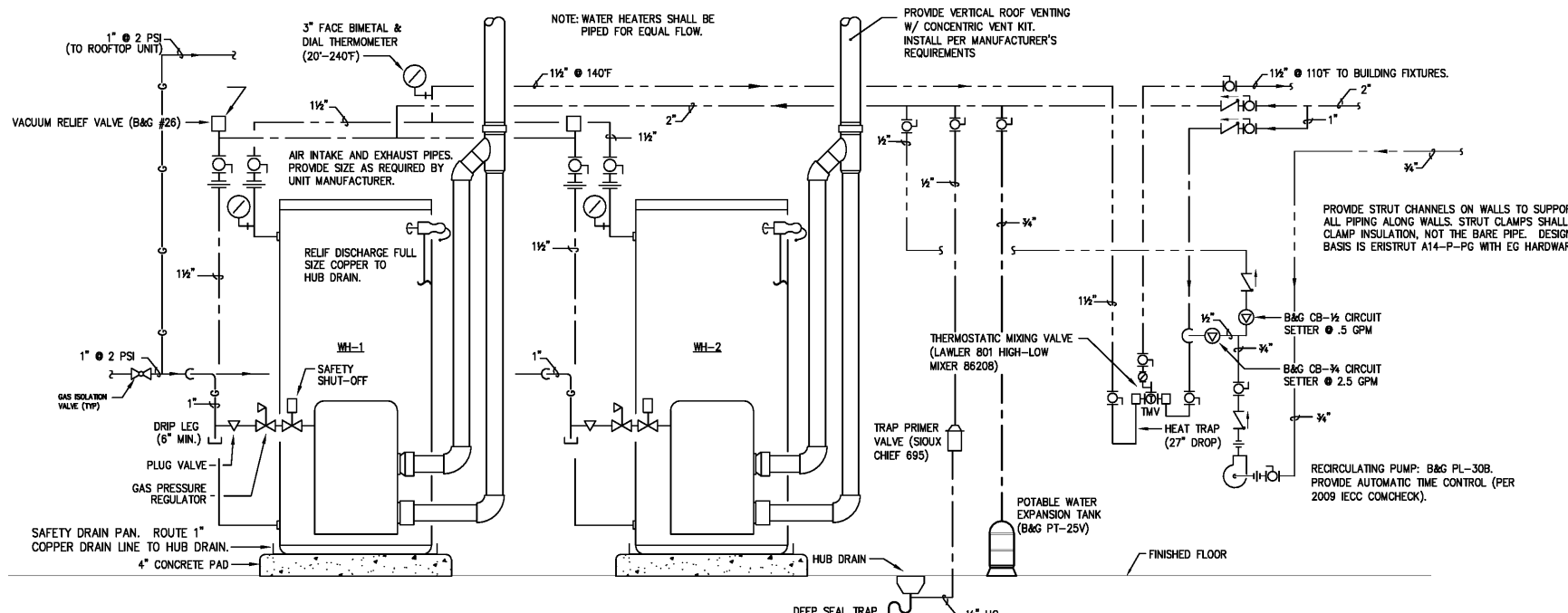
SYMBOL	DESCRIPTION	WASTE	WATER		VENT	REMARKS
			COLD	HOT		
P-1	HANDICAP WATERCLOSET	3"	1"	-	2"	1
P-2	WATERCLOSET	3"	1"	-	2"	2
P-3	URNAL	2"	3/4"	-	2"	3
P-4	HANDICAP LAVATORY	1 1/4"	1/2"	1/2"	1 1/4"	4
P-5	SERVICE SINK	3"	1/2"	1/2"	2"	5
P-6	SHOWER	3"	1/2"	1/2"	2"	6
P-7	WASHER BOX	2"	1/2"	1/2"	2"	7
P-8	BI-LEVEL WATER COOLER	1 1/4"	1/2"	-	1 1/4"	8
P-9	3 COMP SINK	1 1/4"	1/2"	1/2"	1 1/4"	9
P-10	DISHWASHER	1 1/4"	-	-	-	10
P-11	HAND SINK	1 1/4"	1/2"	1/2"	1 1/4"	11
P-12	ICE MAKER BOX	-	1/2"	-	-	12
P-13	WALL HYDRANT	-	3/4"	-	-	13
P-14	LAUNDRY SINK	1 1/2"	1/2"	1/2"	1 1/2"	14
P-15	SERVICE SINK	3"	1/2"	1/2"	2"	15
P-16	HANDICAP WATERCLOSET	3"	1"	-	2"	16

- REMARKS:
- PROVIDE WHITE VITREOUS CHINA WALL MOUNTING WATERCLOSET (1.6 GPF) INSTALLED AT ADA COMPLIANT HEIGHT. FIXTURE SHALL BE EQUAL TO KOHLER K-4330 W/ OPEN WHITE TOILET SEAT (K-4670-CA). PROVIDE EXPOSED FLUSH VALVE (ZURN Z6000AV-WSI-YK) AND WATER CLOSET SUPPORT WITH EXPOSED FLUSH VALVE SUPPORT ELEVATED SUPPORT BASE, AND ANCHOR FOOT.
  - PROVIDE WHITE VITREOUS CHINA WALL MOUNTING WATERCLOSET (1.6 GPF) INSTALLED AT STANDARD HEIGHT. FIXTURE SHALL BE EQUAL TO KOHLER K-4330 W/ OPEN WHITE TOILET SEAT (K-4670-CA). PROVIDE EXPOSED FLUSH VALVE (ZURN Z6000AV-WSI-YK) AND WATER CLOSET SUPPORT WITH EXPOSED FLUSH VALVE SUPPORT ELEVATED SUPPORT BASE, AND ANCHOR FOOT.
  - PROVIDE WHITE VITREOUS CHINA WALL MOUNTING URINAL (1.6 GPF) INSTALLED AT ADA COMPLIANT HEIGHT. FIXTURE SHALL BE EQUAL TO KOHLER K-4960-ET. PROVIDE EXPOSED FLUSH VALVE (ZURN Z6000AV-WSI-YK) AND URINAL SUPPORT WITH UPPER AND LOWER BEARING PLATE.
  - PROVIDE SELF DRAINING LAVATORY (DESIGN BASIS IS KOHLER K-2196) WITH FAUCET (ZURN Z6915-XL-L) AND P-TRAP ASSEMBLY (EBC TA140-CF). GROUND MAIN (EBC S67), HEAVY DUTY STOPS (EBC LAH12-CF), AND INSTITUTIONAL A.D.A. INSULATOR KIT (EBC IK).
  - PROVIDE TERRAZZO SERVICE SINK (DESIGN BASIS IS STERN-WILLIAMS SB-900 WITH FAUCET (ZURN Z841M1-CS-HCT-WHK-SK). PROVIDE PREFABRICATED ADA STAINLESS STEEL SHOWER UNIT (ZURN Z7500-DV-HW-12-QD) AND SHOWER DRAIN (ZURN ZN415S-6X6). PROVIDE WASHER DRAIN AND CUPSET BOX WITH ARRESTORS (SIOUX CHIEF 696-2313M).
  - PROVIDE BI-LEVEL WATER COOLER WITH BOTTLE FILLING STATION (ELKAY LZSLBWSLQ).
  - PROVIDE 3 COMPARTMENT SINK (TURBO AIR TSA-3-14-12) WITH FAUCET (T&S BRASS B-0230-LN W/NOZZLE 063X).
  - PROVIDE 1 1/2" SINK VALVE, PROVIDE LINE STRAINER AND 3/4" MALE GARDEN HOSE FITTING (SEE MANUFACTURER'S GUIDELINES). DISCHARGE TO SINK OR SINK (MAINTAIN MINIMUM 1" AIR GAP TO RIM OF FLOOR SINK).
  - PROVIDE WALL-MOUNT ENAMELED CAST IRON SINK (KOHLER K-2848) WITH FAUCET (SYMMONS S-20-2-G-W-IPS-0FG-1.0) AND THERMOSTATIC WATER TEMPERATURE LIMITING DEVICE (SYMMONS 5-225-OK-MS-W) SET @ 100°F.
  - PROVIDE CONNECTION BOX WITH ARRESTOR (SIOUX CHIEF 696-1010M).
  - PROVIDE SELF DRAINING NON-FREEZE, ANTI-SIPHON WALL HYDRANT. DESIGN BASIS IS ZURN Z1320-C-CL-RK-SS-WC.
  - PROVIDE FLOOR MOUNTED LAUNDRY TUB (FIAT FL-1) WITH FAUCET (DELTA 2133).
  - PROVIDE TERRAZZO SERVICE SINK (DESIGN BASIS IS STERN-WILLIAMS SB-900 WITH FAUCET (ZURN Z841M1-CS-HCT-WHK-SK).
  - PROVIDE WHITE VITREOUS CHINA WATERCLOSET (1.6 GPF). FIXTURE SHALL BE EQUAL TO KOHLER K-4302 W/OPEN WHITE TOILET SEAT (K-4670-CA). PROVIDE EXPOSED FLUSH VALVE (ZURN Z6000AV-WSI-BG-YK).

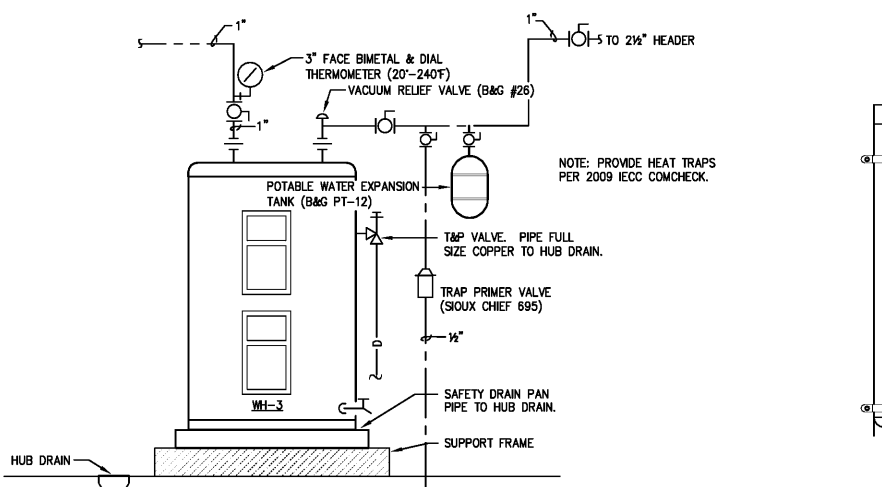
**PLUMBING SPECIFICATIONS**

- CONNECT SEWER, VENTS AND WATER LINES AS INDICATED ON THE PLUMBING PLANS. DETERMINE THE EXACT LOCATION OF ALL EXISTING SERVICE CONNECTIONS BEFORE STARTING THE INSTALLATION OF ANY WORK. THE PLUMBING CONTRACTOR IS RESPONSIBLE TO PAY ALL PLUMBING FEES FOR PERMITS PRIOR TO STARTING WORK. COORDINATE ALL WORK WITH OTHER TRADES, THE GENERAL CONTRACTOR AND OWNER'S FIELD REPRESENTATIVE.
- ALL PLUMBING WORK SHALL CONFORM TO 2012 INTERNATIONAL PLUMBING CODE, LOCAL CODE REQUIREMENTS, AND THE OWNER'S REQUIREMENTS. PLUMBING CONTRACTOR SHALL BE LICENSED IN THIS AREA TO PERFORM THE WORK.
- SANITARY SEWER, VENT AND RAIN LEADER PIPING SHALL BE PVC (TYPE DWV) (ASTM D 2685; ASTM D2949; CSA8181.2).
- ALL COLD AND HOT WATER LINES SHALL BE TYPE "L" COPPER WITH LEAD-FREE SOLDER AND FLUXES, AQUATHERM (SDR 11 GREENPIPE FOR COLD WATER AND SDR 7.4 GREENPIPE FOR HOT WATER), OR UPONOR PEX-A. INSTALLATION SHALL BE IN STRICT REQUIREMENTS OF THE PIPING MANUFACTURER, IPC 2012, AND THE PLASTIC PIPE AND FITTING ASSOCIATION (FOR PLASTIC PIPE). ANY WORK INSTALLED INCORRECTLY SHALL BE REPLACED AT NO COST TO THE OWNER.
- INSULATE ALL COLD, HOT, HOT WATER RETURN AND RAIN LEADER PIPING THROUGHOUT BUILDING COMPLETE (NO EXCEPTIONS) WITH 1/2" THICK PLENUM RATED INSULATION (EQUAL TO AP ARM-FLEX PIPE INSULATION) WITH SEALED JOINTS PER MANUFACTURER'S INSTALLATION REQUIREMENTS. MITER ALL ELS. SEAL ALL JOINTS PER MANUFACTURER'S REQUIRED SEALING METHOD. DO NOT TAPE ANY JOINTS: ALL JOINTS SHALL BE THOROUGHLY SEALED BY THE MANUFACTURER'S REQUIRED SEALING METHOD.
- PLUMBING CONTRACTOR SHALL INSTALL SHOCK ARRESTORS IN PIPING SYSTEM TO PREVENT NOISE AND DAMAGE DUE TO WATER HAMMER. BRANCH PIPING SHALL HAVE ACCESSIBLE SERVICE VALVES. PROVIDE SHUTOFF VALVES IN THE SUPPLY PIPING TO EVERY FIXTURE.
- PLUMBING CONTRACTOR SHALL PROVIDE 2 SETS OF "AS-BUILT" DRAWINGS TO THE OWNER.
- LABELING: LABELS ON ALL WATER PIPING IN ALL ROOMS AND ABOVE CEILINGS INDICATING FLUID TYPE (COLD WATER, HOT WATER AND HOT WATER RETURN) AND DIRECTION OF FLOW. LABELS SHALL BE INSTALLED NO GREATER THAN 20 FEET APART. DESIGN BASIS IS ELECTROMARK ADHESIVE PIPE MARKERS IN ANSI YELLOW.
- LABOR SHALL BE PERFORMED IN A WORKMAN LIKE MANNER BY MECHANICS SKILLED IN THEIR PARTICULAR TRADE. PIPE AND EQUIPMENT SHALL BE INSTALLED SQUARE AND PLUMB AND ACCESSIBLE FOR PROPER OPERATION AND SERVICE.
- CUTTING NECESSARY TO PERMIT THE INSTALLATION OF ANY WORK UNDER THIS CONTRACT SHALL BE THE RESPONSIBILITY OF THIS CONTRACTOR, HOWEVER MUST BE COORDINATED WITH THE GENERAL CONTRACTOR PRIOR TO ANY CUTTING. PATCHING SHALL BE BY GENERAL CONTRACTOR.
- PIPING
  - ALL PIPING SHALL BE RUN CONCEALED EXCEPT WHERE SHOWN OTHERWISE ON DRAWINGS.
  - VALVES, TRAPS, CLEANOUTS AND OTHER APPARATUS SHALL BE INSTALLED IN AN EASILY ACCESSIBLE LOCATION.
  - SOIL WASTE, VENT, OFFSETS AND HOUSE DRAINS SHALL BE INSTALLED WITH A MINIMUM UNIFORM GRADE OF 1/8" TO THE FOOT.
  - HOT AND COLD WATER LINES SHALL BE AT LEAST 12" APART WHERE PIPING IS PARALLEL.
  - ESCUTCHEON PLATES SHALL BE PROVIDED WHERE ALL PIPE PASSES THROUGH A FINISHED WALL.
  - PROVIDE HANGERS AND SPACING PER INTERNATIONAL PLUMBING CODE 2012.
- PIPING SHALL BE SUPPORTED AT INTERVALS NOT TO EXCEED 7'-0" AND AT EACH CHANGE IN HORIZONTAL OR VERTICAL.
- CLEAN OUT ALL LINES, ADJUST ALL VALVES AND CLEAN ALL PLUMBING FIXTURES AND EQUIPMENT.
- ALL PARTS OF THE PLUMBING FIXTURES AND ASSOCIATED EQUIPMENT SHALL BE MAINTAINED BY THE CONTRACTOR THROUGHOUT THE GUARANTEE PERIOD OF ONE YEAR AFTER FINAL ACCEPTANCE OF THE BUILDING.
- NOTE: ALL PIPE INSULATION (HOT, COLD PIPE INSULATION) SHALL CONFORM TO THE FIRE AND SMOKE RATINGS BELOW:
 

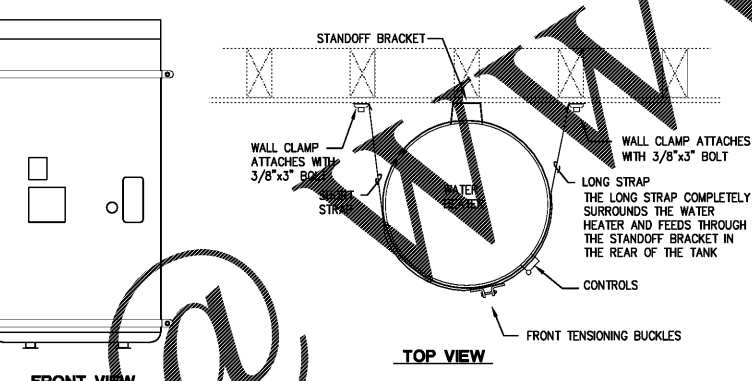
FLAME SPREAD	- 25 OR LESS
SMOKE DEVELOPED	- 50 OR LESS
- GENERAL REQUIREMENTS OF PLUMBING FIXTURES AND TRIM:
  - PLUMBING CONTRACTOR SHALL FURNISH AND INSTALL ALL STOPS, TRAPS, ESCUTCHEONS, CONNECTIONS, AS NECESSARY.
  - TERMINATE ALL WATER ROUGH-INS WITH SHUTOFF VALVES BEFORE CONNECTING EQUIPMENT AND FIXTURES.
  - PURGE ALL WATER LINES BEFORE MAKING FINAL CONNECTIONS.
  - SHOCK ARRESTORS SHALL BE PROVIDED AT AREAS SHOWN AND SHALL BE P.D.I. SIZE AS INDICATED BY SIOUX CHIEF HYDRA-RESTER (NO SUBSTITUTIONS). ALL ARRESTORS SHALL BE INSTALLED PER MANUFACTURER'S SPECIFICATIONS.
  - WHERE THE WORD "FURNISH" OR "INSTALL" APPEARS FOR THE PLUMBING CONTRACT, IT SHALL BE INTERPRETED TO MEAN THE PLUMBING CONTRACTOR SHALL FURNISH ALL LABOR, MATERIALS, EQUIPMENT AND SUPPLIES NECESSARY TO INSTALL AND PLACE IN OPERATING CONDITION.
- ALL BARE COPPER TUBING SHALL BE ISOLATED FROM CONCRETE AND CONCRETE BLOCK MATERIALS WITH AN INERT BARRIER, A WRAPPING OF INSULATING TAPE, A COATING OF AN ASPHALTUM PAINT OR SOME OTHER APPROVED MATERIAL TO PROTECT PIPING FROM CORROSION.
- ALL SANITARY DWV AND DOMESTIC WATER SYSTEMS SHALL BE TESTED IN ACCORDANCE WITH IPC SECTION 312.
- GAS PIPING SHALL BE PER INTERNATIONAL FUEL GAS CODE 2012 AND LOCAL CODES. GAS VALVES SHALL BE UL LISTED FOR GAS SERVICE.
- ALL BALL VALVES IN WATER SERVICE SHALL BE HEAVY DUTY, FULL PORT, QUARTER-TURN BY APOLLO (77FLF-100 SERIES - NO SUBSTITUTIONS).



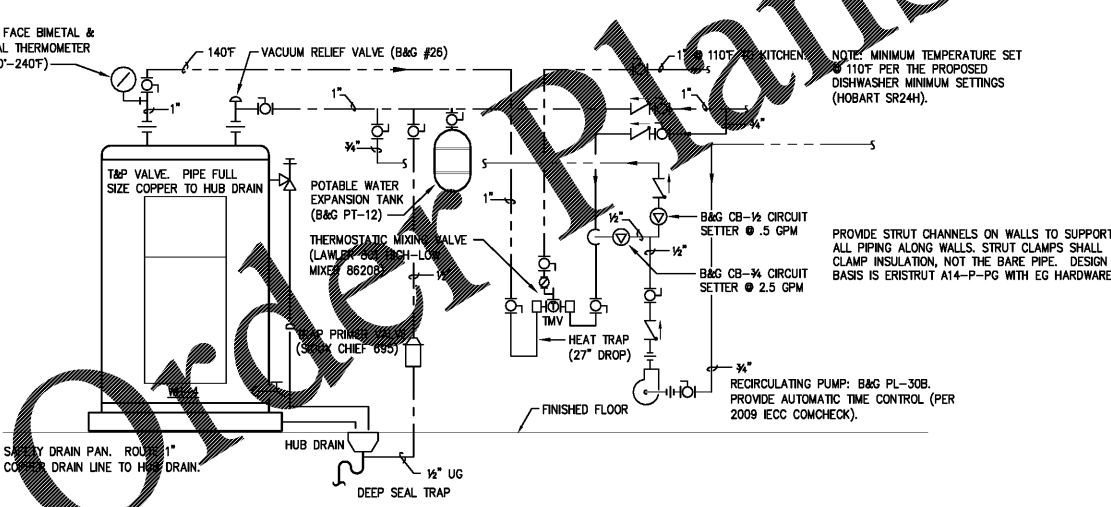
**GAS WATER HEATER WH-1/ WH-2 DETAIL**  
NOT TO SCALE



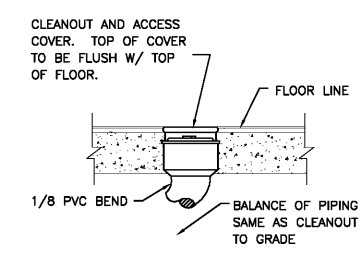
**ELECTRIC WATER HEATER WH-3 DETAIL**  
NOT TO SCALE



**WATER HEATER SEISMIC DETAILS (TYP)**  
NOT TO SCALE



**ELECTRIC WATER HEATER WH-4 DETAIL**  
NOT TO SCALE



**FLOOR CLEANOUT (FCO) DETAIL**  
NOT TO SCALE