

Owner:  
Georgetown County  
716 Prince Street  
Georgetown, SC 29442

SGA ARCHITECTURE  
ARCHITECTURE AND PLANNING  
LANDSCAPE ARCHITECTURE

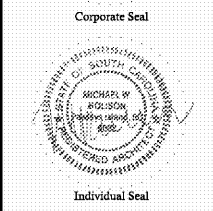
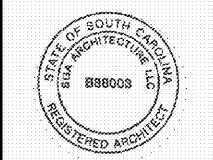
Pawleys Island / Charleston / GREENVILLE  
6263 Ocean Hwy. / PO Box 1859  
Pawleys Island, SC 29585  
Phone: 843.237.3421 / Fax: 843.237.1992  
www.SGAarchitecture.com

Civil Consultant:  
**ETS**  
ENGINEERING AND TECHNICAL  
SERVICES, INC.  
CONSULTING ENGINEERS  
88 Charleston Lane  
P.O. Box 209  
Pawleys Island, SC 29585  
Phone: (843) 237-3421 Fax: (843) 237-2283

MEP Consultant:  
**Charleston Engineering**  
123 B Wappoo Creek Dr.  
Charleston, SC 29412  
843-752-4242  
Mechanical, Plumbing & Electrical

Structural Consultant:  
**WEATHERLY STRUCTURAL ENGINEERS**  
2100 The Wood, Suite 100 & 100A, Charleston, SC 29405  
704-399-0000

Irrigation Consultant:



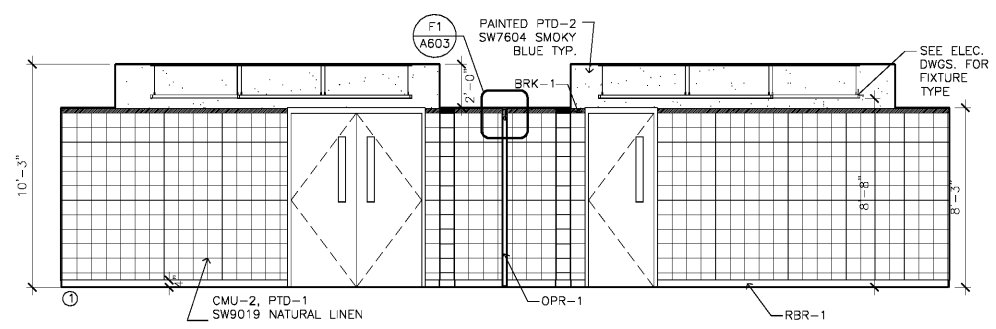
MEMBERS OF  
THE AMERICAN INSTITUTE OF ARCHITECTS  
COPYRIGHT 2018 ALL RIGHTS RESERVED  
PRINTED OR ELECTRONIC DRAWINGS AND  
DOCUMENTATION MAY NOT BE REPRODUCED  
IN ANY FORM WITHOUT WRITTEN PERMISSION  
FROM SGA ARCHITECTURE.

Job Number: 17070  
Date: 02/16/18  
Drawn by: PW,MR  
Checked by: MR

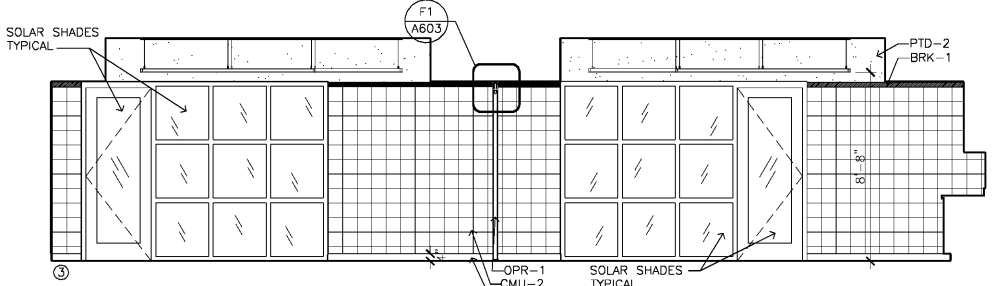
Notes:  
**BIDDING DOCUMENTS**  
Not for Construction

Revisions:

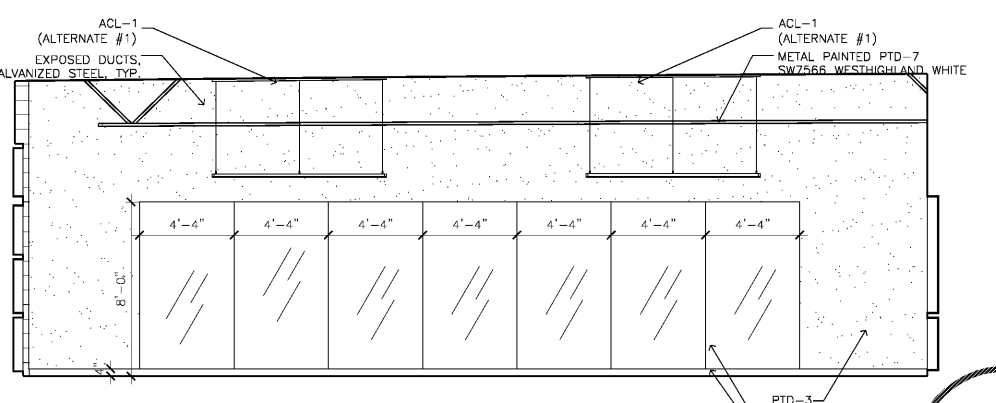
Interior  
Elevations  
**A704**  
40 of 43  
Bidding Documents



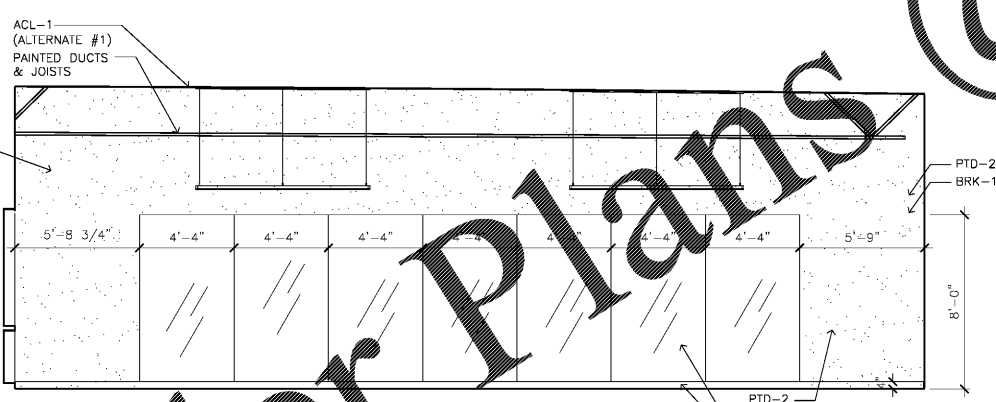
**E1 INTERIOR ELEVATION - PROGRAM SPACE 103**  
1/4"=1'-0"



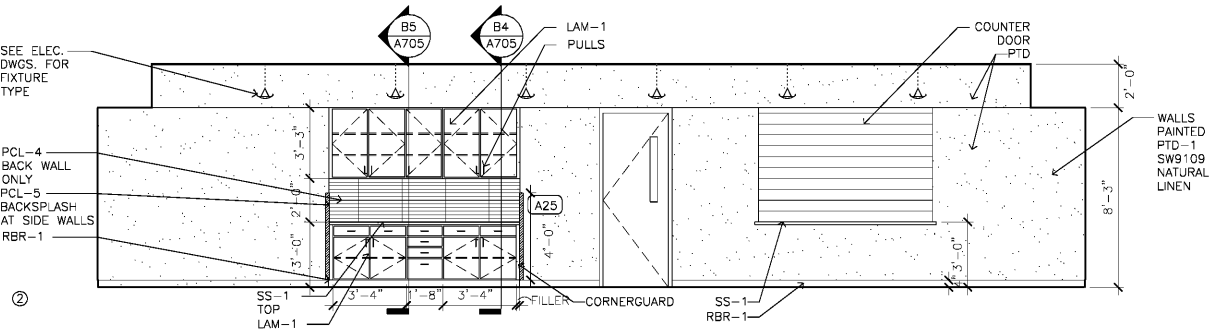
**D3 INTERIOR ELEVATION - PROGRAM SPACE 103**  
1/4"=1'-0"



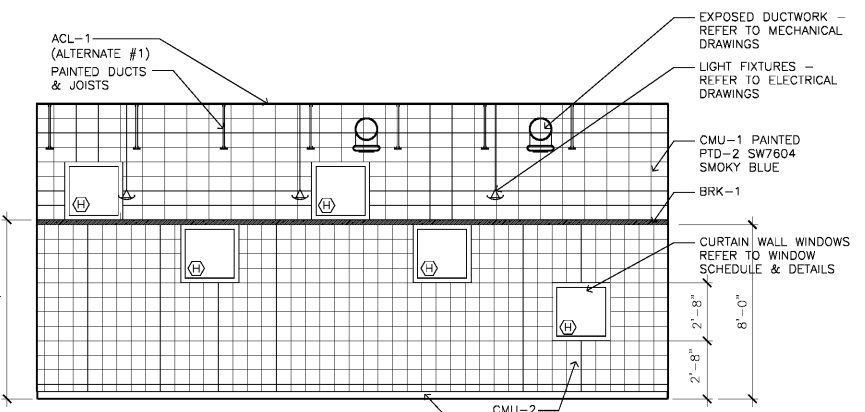
**C1 INTERIOR ELEVATIONS - WEIGHT ROOM 121**  
1/4"=1'-0"



**F1 INTERIOR ELEVATIONS - AEROBICS ROOM 120**  
1/4"=1'-0"



**E3 INTERIOR ELEVATION - PROGRAM SPACE 103**  
1/4"=1'-0"



**F3 INTERIOR ELEVATIONS - AEROBICS ROOM 120**  
1/4"=1'-0"

**NOTES:**  
1. SEE SHEETS A605 & A606 FOR ROOM FINISH LEGEND & SCHEDULE.  
2. ALL CURTAIN WALLS RECEIVE PAINT.

WWW.LDILine.com

Order Plans @