

Owner:  
Georgetown County  
716 Prince Street  
Georgetown, SC 29442

SGA ARCHITECTURE  
ARCHITECTURAL AND PLANNING  
LANDSCAPE ARCHITECTURE

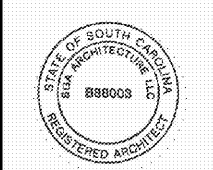
Pawleys Island / Charleston / GREENVILLE  
8263 Ocean Hwy. / PO Box 1859  
Fowling Island, SC 29555  
Phone: 843.237.3421 / Fax: 843.237.1992  
www.SGAarchitecture.com

Civil Consultant:  
**ETS**  
ENGINEERING AND TECHNICAL  
SERVICES, INC.  
CONSULTING ENGINEERS  
88 Columbia Lane  
P.O. Box 200  
Pawleys Island, SC 29555  
Phone: (843) 237-2222 Fax: (843) 237-2223

MEP Consultant:  
**Charleston Engineering**  
123 B Wappoo Creek Dr.  
Charleston, SC 29412  
843-752-4242  
Mechanical, Plumbing & Electrical

Structural Consultant:  
**WEATHERLY STRUCTURAL ENGINEERS**  
20 The Wood Way, Suite 100, Charleston, SC 29405

Irrigation Consultant:



Corporate Seal



Individual Seal

MEMBERS OF  
THE AMERICAN INSTITUTE OF ARCHITECTS  
COPYRIGHT 2018 ALL RIGHTS RESERVED  
PRINTED OR ELECTRONIC DRAWINGS AND  
DOCUMENTATION MAY NOT BE REPRODUCED  
IN ANY FORM WITHOUT WRITTEN PERMISSION  
FROM SGA ARCHITECTURE

Job Number: 17070  
Date: 02/16/18  
Drawn by: PW,MR  
Checked by: MR

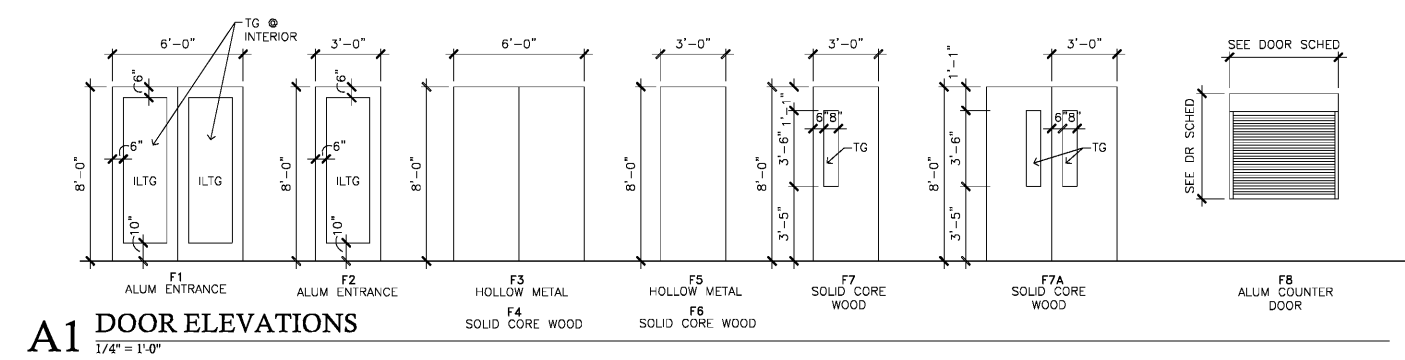
Notes:  
**BIDDING DOCUMENTS**  
Not for Construction

Revisions:

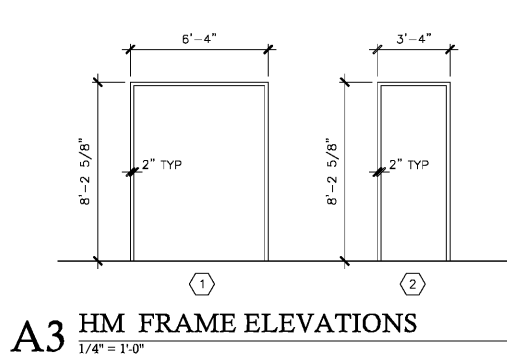
Door & Window  
Elevations

**A602**  
32 of 43

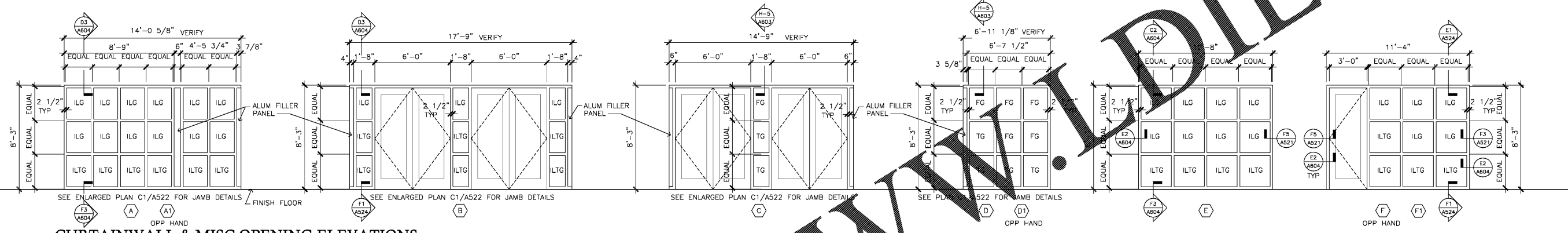
Bidding Documents



**A1 DOOR ELEVATIONS**  
1/4" = 1'-0"

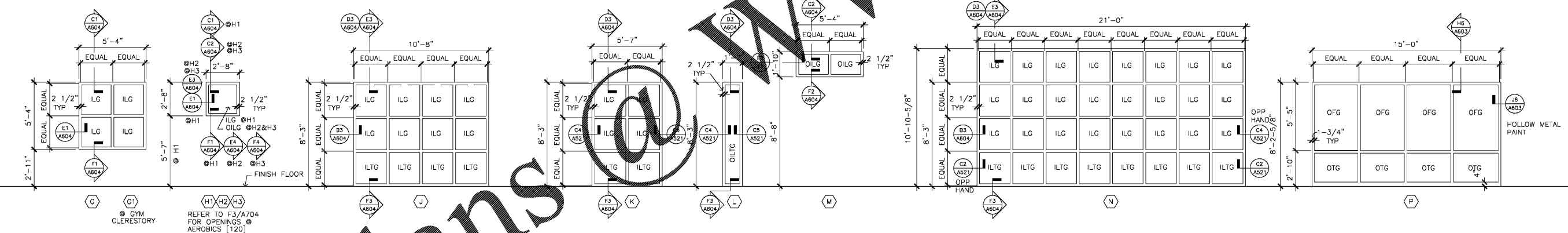


**A3 HM FRAME ELEVATIONS**  
1/4" = 1'-0"



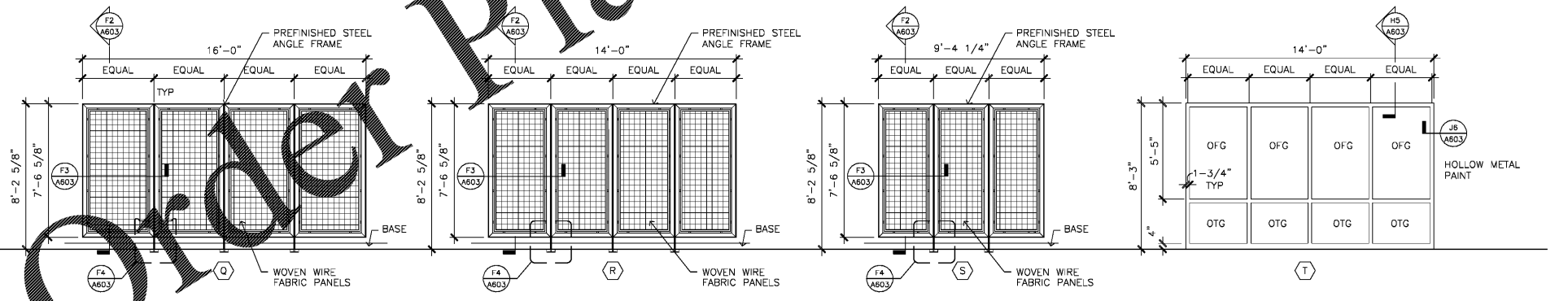
**C1 CURTAINWALL & MISC OPENING ELEVATIONS**  
1/4" = 1'-0"

ALL FRAMING IS ALUM CURTAIN WALL SYSTEM U.N.O.



**E1 CURTAINWALL & MISC OPENING ELEVATIONS**  
1/4" = 1'-0"

ALL FRAMING IS ALUM CURTAIN WALL SYSTEM U.N.O.



**F1 CURTAINWALL & MISC OPENING ELEVATIONS**  
1/4" = 1'-0"

ALL FRAMING IS ALUM CURTAIN WALL SYSTEM U.N.O.

LEGEND AND NOTES	
1.	SILL HEIGHT & DETAILS ARE FOR WINDOW TYPE (G) ONLY. SEE WALL SECTIONS & SHEETS A522 & A523 FOR INFORMATION @ WINDOW TYPE (G1).
2.	SEE SPECIFICATION SECTION 087100 FOR HARDWARE SCHEDULE.
3.	SEE SPECIFICATION SECTION 088000 FOR GLAZING REQUIREMENTS.
ILG	INSULATED LAMINATED GLASS
ILTG	INSULATED LAMINATED TEMPERED GLASS
OILG	OBSCURE INSULATED LAMINATED GLASS
OILTG	OBSCURE INSULATED LAMINATED TEMPERED GLASS
FG	FLOAT GLASS
TG	TEMPERED GLASS
OFG	OBSCURE FLOAT GLASS
OTG	OBSCURE TEMPERED GLASS
4.	ALL OPENING DIMENSIONS ARE TO MASONRY ROUGH OPENING (RO).