

Owner:  
Georgetown County  
716 Prince Street  
Georgetown, SC 29442

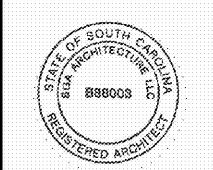
SGA ARCHITECTURE  
ARCHITECTURE AND INTERIORS  
PAWLEYS ISLAND / CHARLESTON / GREENVILLE  
8263 Ocean Hwy. / PO Box 1859  
Fenwick Island, SC 29555  
Phone: 843.237.3421 / Fax: 843.237.1992  
www.SGAarchitecture.com

Civil Consultant:  
**ETS**  
ENGINEERING AND TECHNICAL  
SERVICES, INC.  
CONSTRUCTION DIVISION  
88 Cartersville Lane  
P.O. Box 207  
Charleston, SC 29412  
Phone: (803) 353-2222 Fax: (803) 371-2223

MEP Consultant:  
**Charleston Engineering**  
1229 Wappoo Creek Dr.  
Charleston, SC 29412  
843-752-4242  
Mechanical, Plumbing & Electrical

Structural Consultant:  
**WEATHERLY STRUCTURAL ENGINEERS**  
2010 West 10th St. Charleston, SC 29405

Irrigation Consultant:



Corporate Seal



Individual Seal

MEMBERS OF  
THE AMERICAN INSTITUTE OF ARCHITECTS

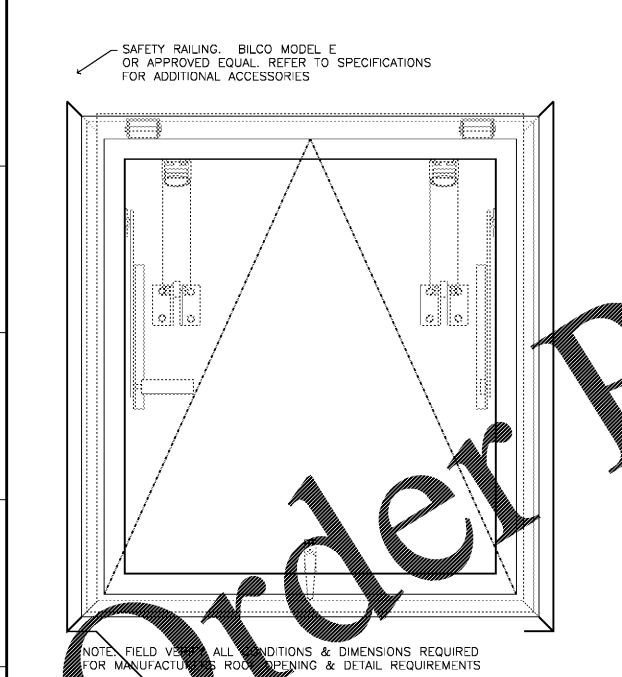
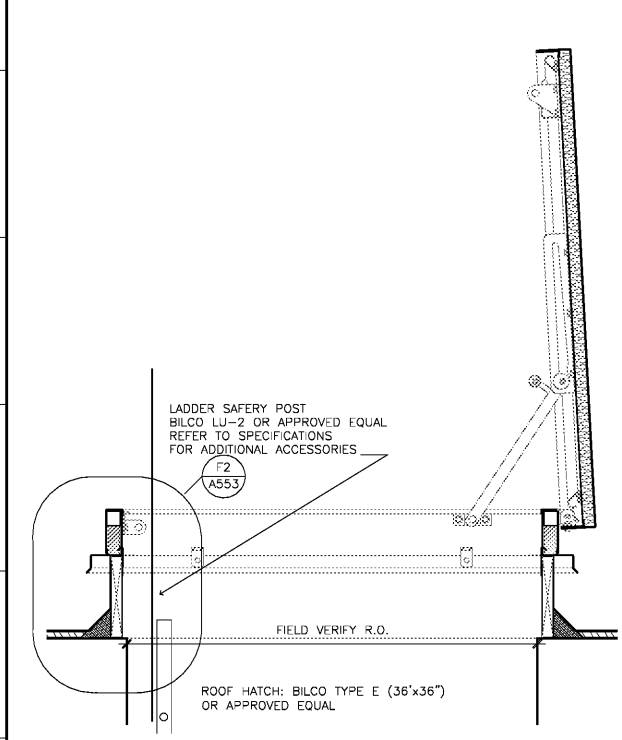
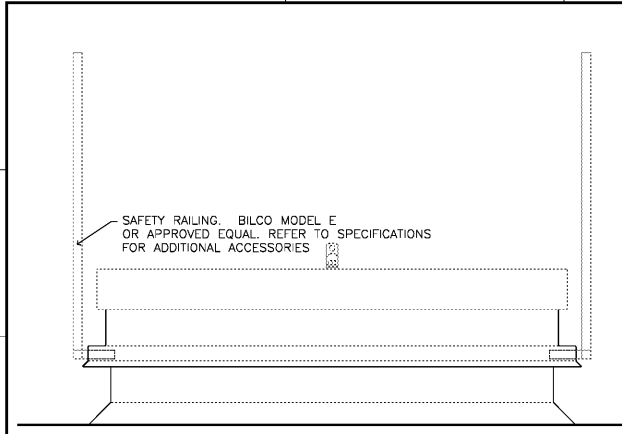
Job Number: 17070  
Date: 02/16/18  
Drawn by: PW,MR  
Checked by: MR

Notes:

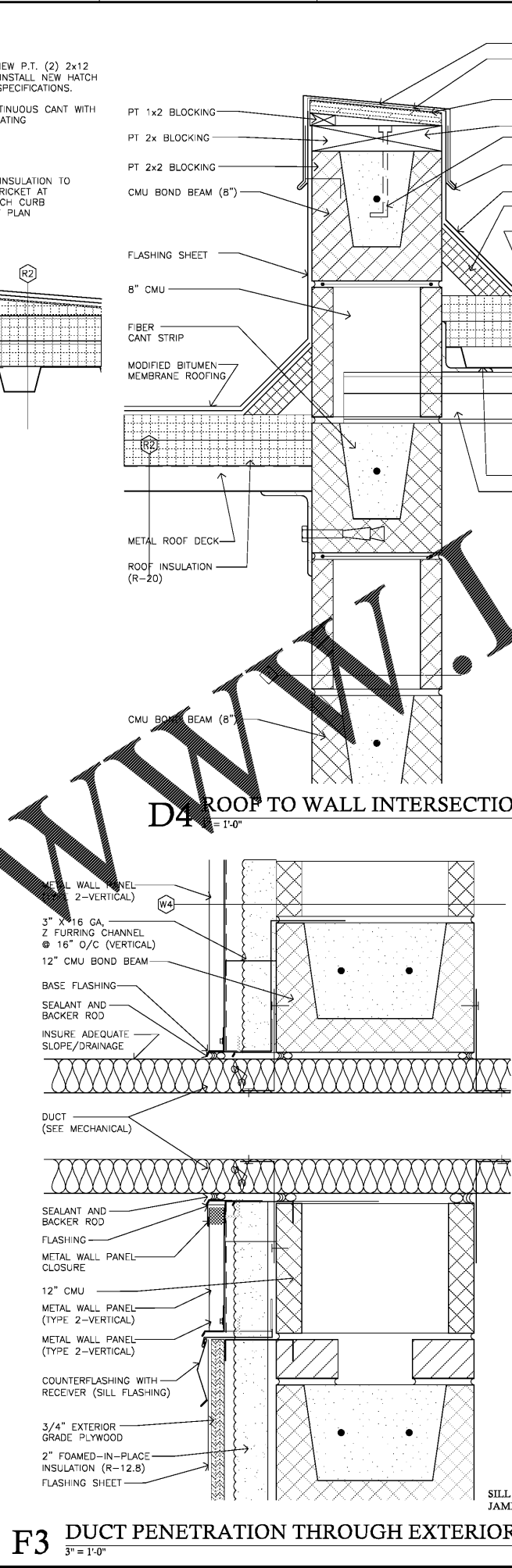
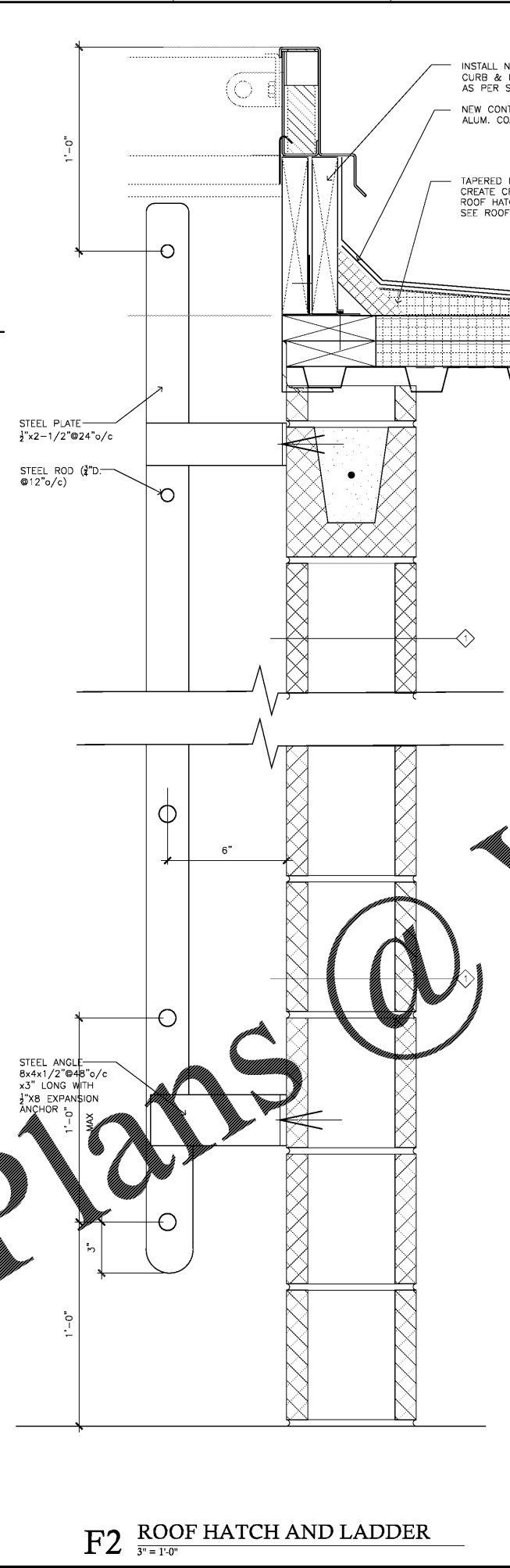
**BIDDING DOCUMENTS**  
Not for Construction

Revisions:

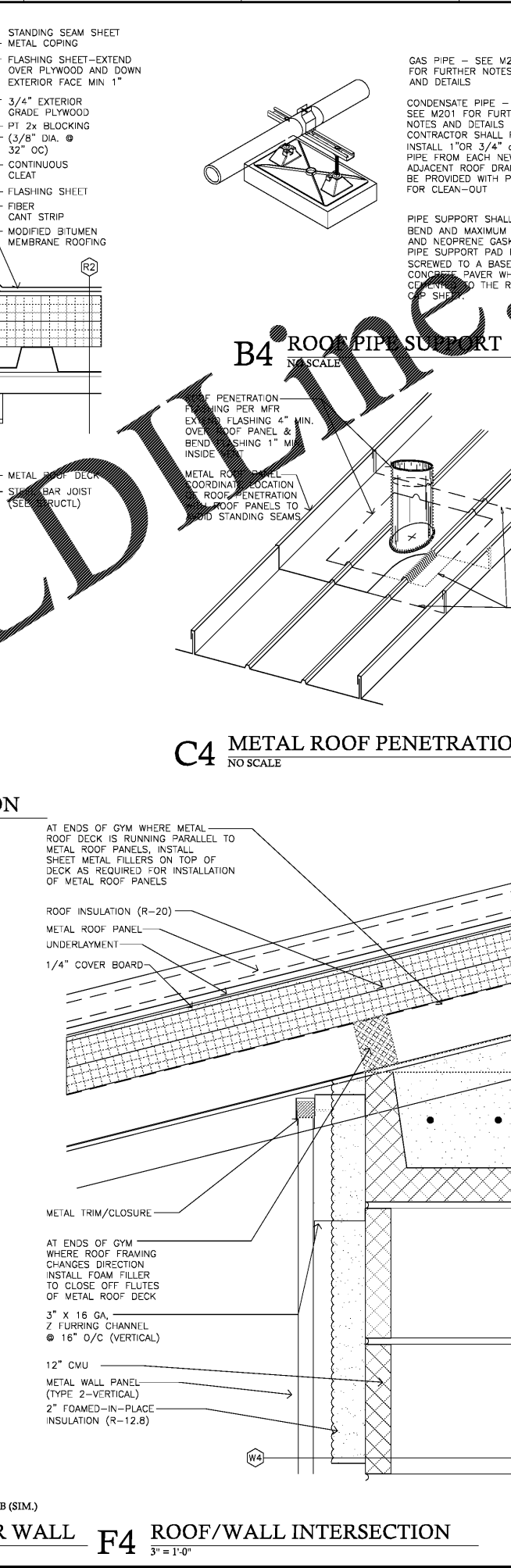
Roof  
Details  
**A553**  
30 of 43



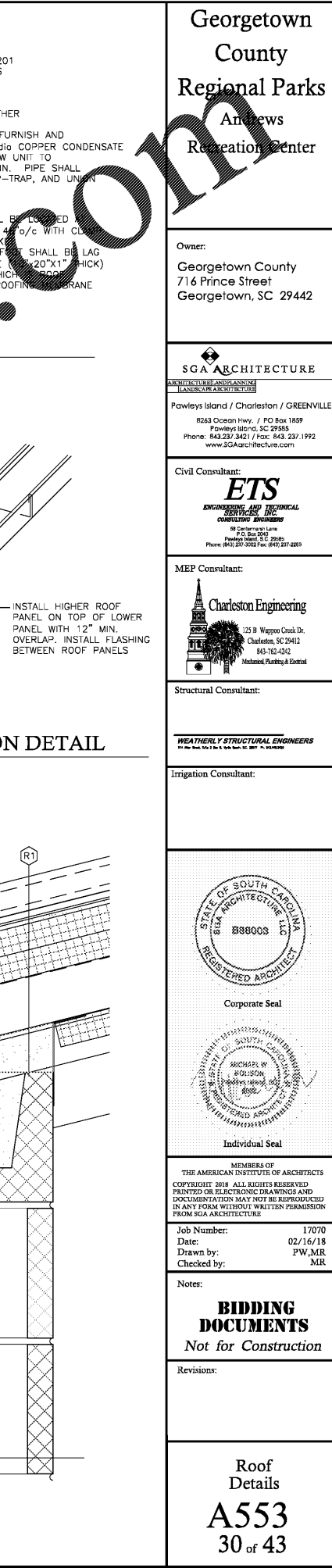
F1 ROOF HATCH PLAN  
1\"/>



F3 DUCT PENETRATION THROUGH EXTERIOR WALL  
3\"/>



F4 ROOF/WALL INTERSECTION  
3\"/>



B4 ROOF PIPE SUPPORT  
NO SCALE  
C4 METAL ROOF PENETRATION DETAIL  
NO SCALE  
D4 ROOF TO WALL INTERSECTION  
1\"/>

WWW.LDLINE.COM

Order Plans @

F1 ROOF HATCH PLAN  
1\"/>

F2 ROOF HATCH AND LADDER  
3\"/>

F3 DUCT PENETRATION THROUGH EXTERIOR WALL  
3\"/>

F4 ROOF/WALL INTERSECTION  
3\"/>

NOTE: FIELD VERIFY ALL CONDITIONS & DIMENSIONS REQUIRED FOR MANUFACTURER'S ROOF OPENING & DETAIL REQUIREMENTS

AT ENDS OF GYM WHERE METAL ROOF DECK IS RUNNING PARALLEL TO METAL ROOF PANELS, INSTALL SHEET METAL FILLERS ON TOP OF DECK AS REQUIRED FOR INSTALLATION OF METAL ROOF PANELS

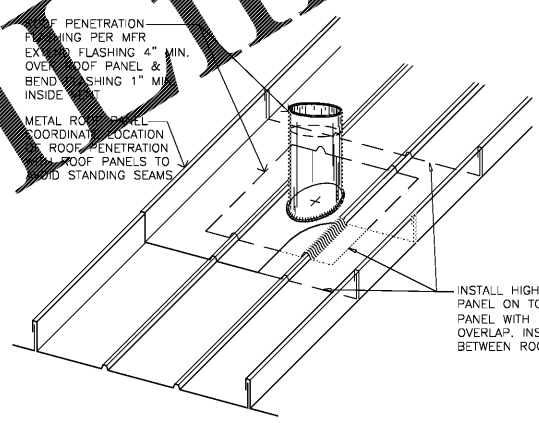
AT ENDS OF GYM WHERE ROOF FRAMING CHANGES DIRECTION, INSTALL FOAM FILLER TO CLOSE OFF FLUTES OF METAL ROOF DECK

GAS PIPE - SEE M201 FOR FURTHER NOTES AND DETAILS

CONDENSATE PIPE - SEE M201 FOR FURTHER NOTES AND DETAILS  
CONTRACTOR SHALL FURNISH AND INSTALL 1\"/>

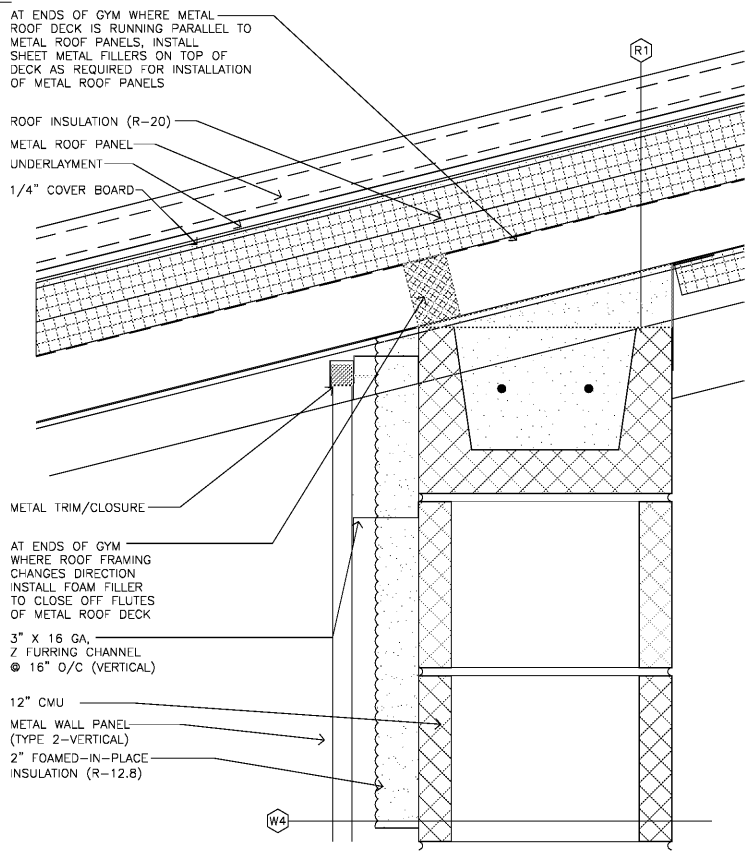
PIPE SUPPORT SHALL BE BOLTED TO BEND AND MAXIMUM 4\"/>

**B4 ROOF PIPE SUPPORT**  
NO SCALE

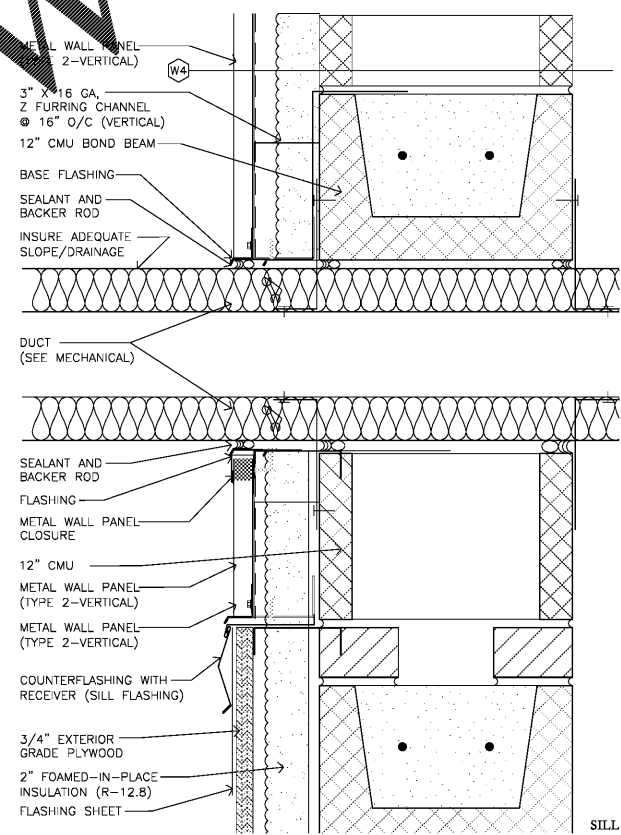


INSTALL HIGHER ROOF PANEL ON TOP OF LOWER PANEL WITH 1\"/>

**C4 METAL ROOF PENETRATION DETAIL**  
NO SCALE



**D4 ROOF TO WALL INTERSECTION**  
1\"/>



SILL JAMB (SIM.)