

Owner:
Georgetown County
716 Prince Street
Georgetown, SC 29442

SGA ARCHITECTURE
ARCHITECTURE AND INTERIORS
LANDSCAPE ARCHITECTURE

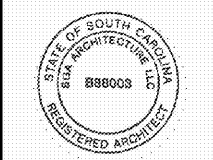
Pawleys Island / Charleston / GREENVILLE
6263 Ocean Hwy. / PO Box 1859
Fowling Island, SC 29555
Phone: 843.237.3421 / Fax: 843.237.1992
www.SGAarchitecture.com

Civil Consultant:
ETS
ENGINEERING AND TECHNICAL
SERVICES, INC.
CONSULTING ENGINEERS
88 Centerville Lane
P.O. Box 2929
Charleston, SC 29412
Phone: (803) 381-2822 Fax: (803) 381-2823

MEP Consultant:
Charleston Engineering
1229 Wappoo Creek Dr.
Charleston, SC 29412
843-752-4242
Mechanical, Plumbing & Electrical

Structural Consultant:
WEATHERLY STRUCTURAL ENGINEERS
2010 The Wood, Suite 100, Charleston, SC 29405
Phone: (803) 733-1111

Irrigation Consultant:



Corporate Seal



Individual Seal

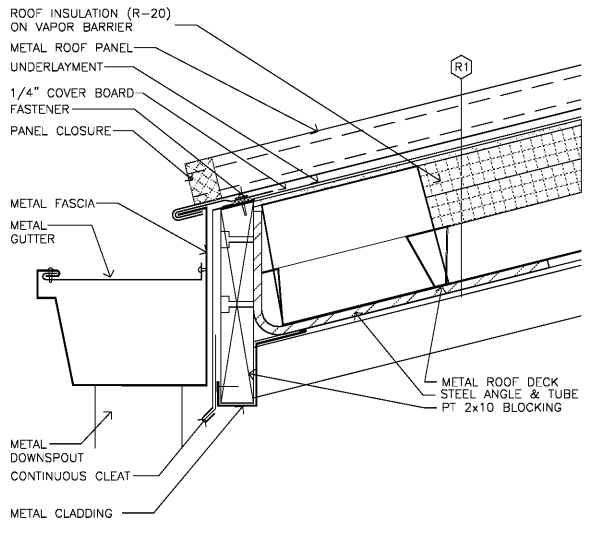
MEMBERS OF
THE AMERICAN INSTITUTE OF ARCHITECTS
COPYRIGHT 2018 ALL RIGHTS RESERVED
PRINTED OR ELECTRONIC DRAWINGS AND
DOCUMENTATION MAY NOT BE REPRODUCED
IN ANY FORM WITHOUT WRITTEN PERMISSION
FROM SGA ARCHITECTURE.

Job Number: 17070
Date: 02/16/18
Drawn by: PW, MR
Checked by: MR

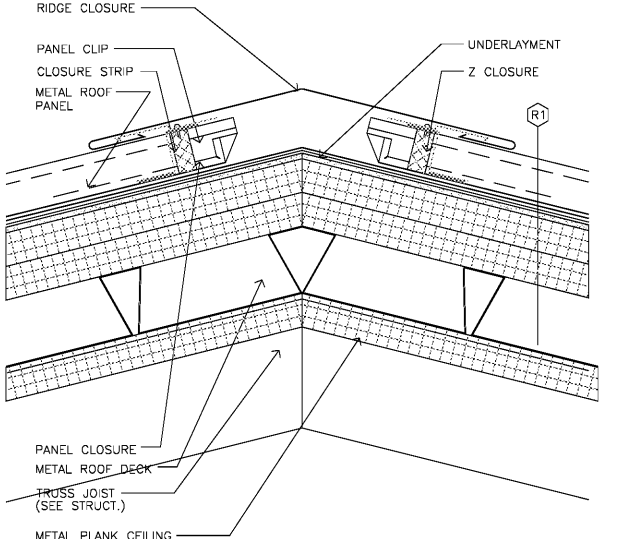
Notes:

BIDDING DOCUMENTS
Not for Construction

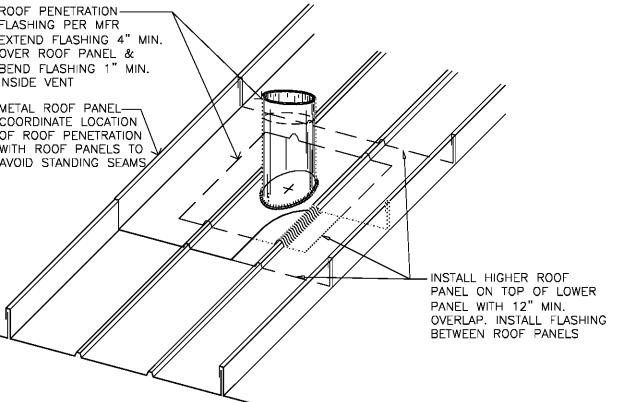
Revisions:



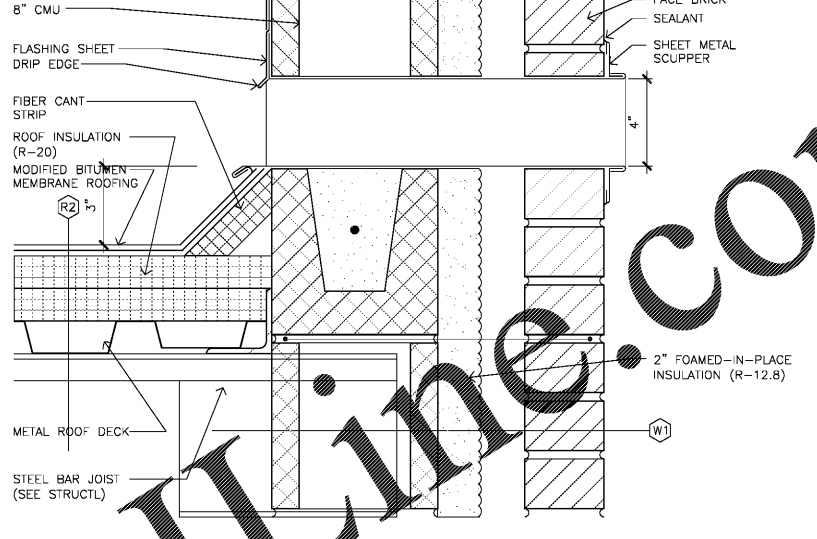
B1 METAL ROOF PANEL EAVE DETAIL
3" = 1'-0"



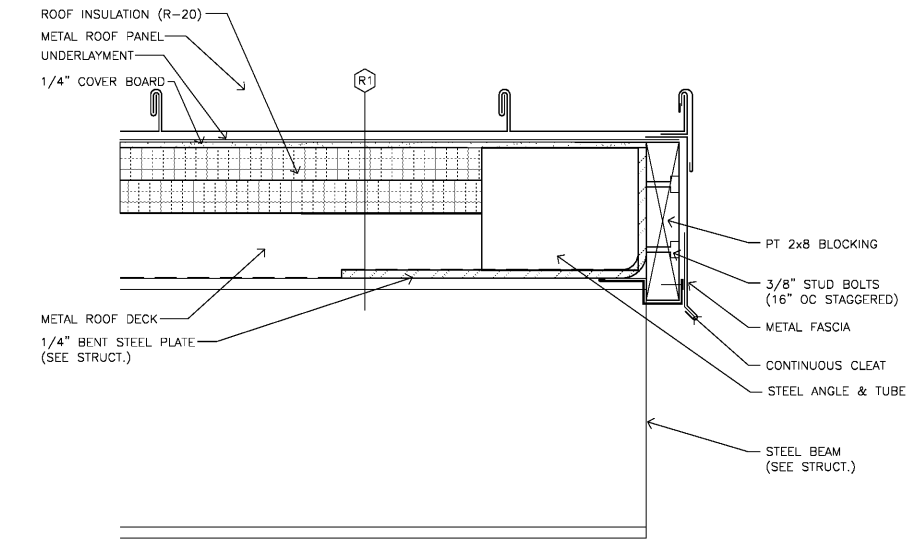
B2 METAL ROOF PANEL RIDGE DETAIL
3" = 1'-0"



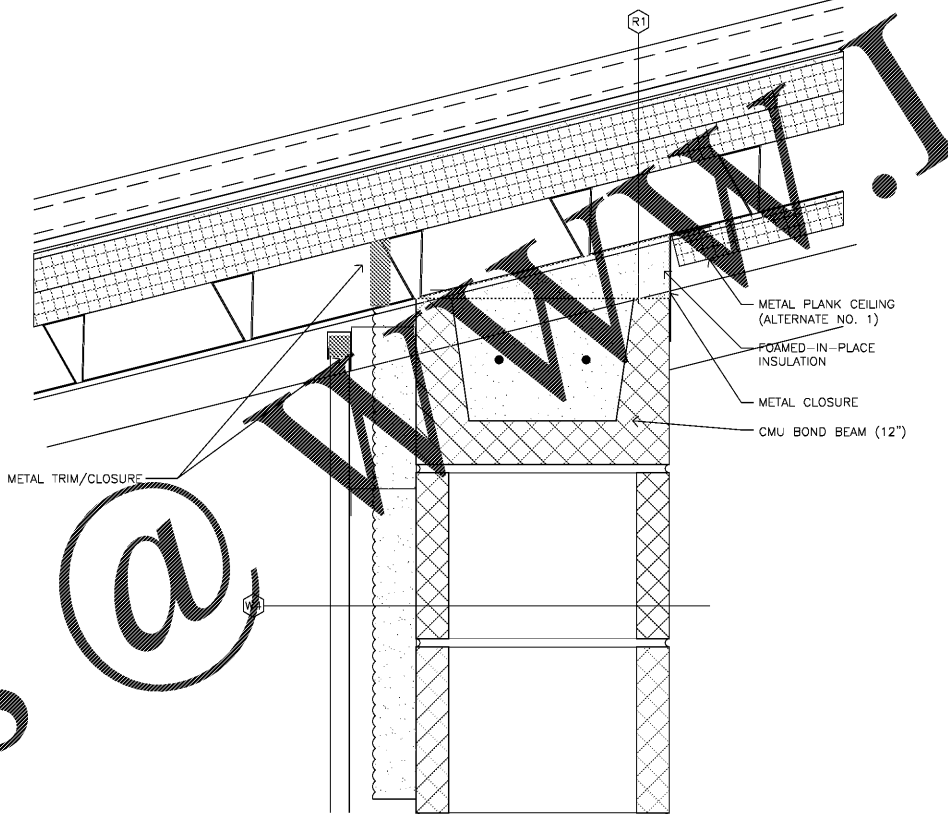
B3 VENT FLASHING
3" = 1'-0"



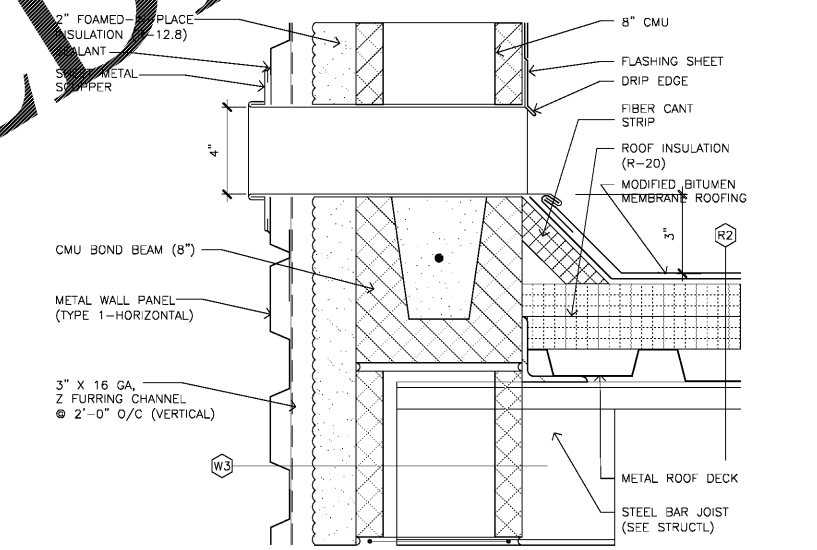
B4 OVERFLOW SCUPPER DETAIL
3" = 1'-0"



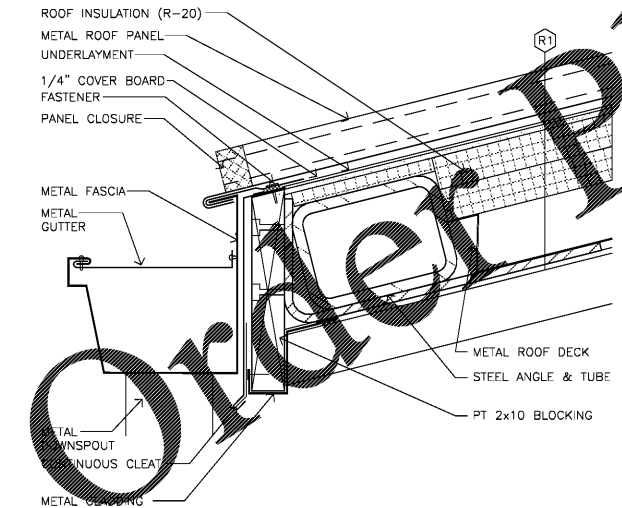
E1 RAKE EDGE ROOF DETAIL
3" = 1'-0"



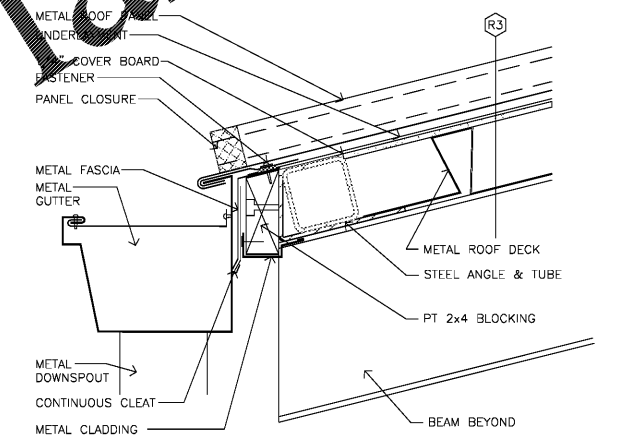
D3 ROOF/WALL INTERSECTION
3" = 1'-0"



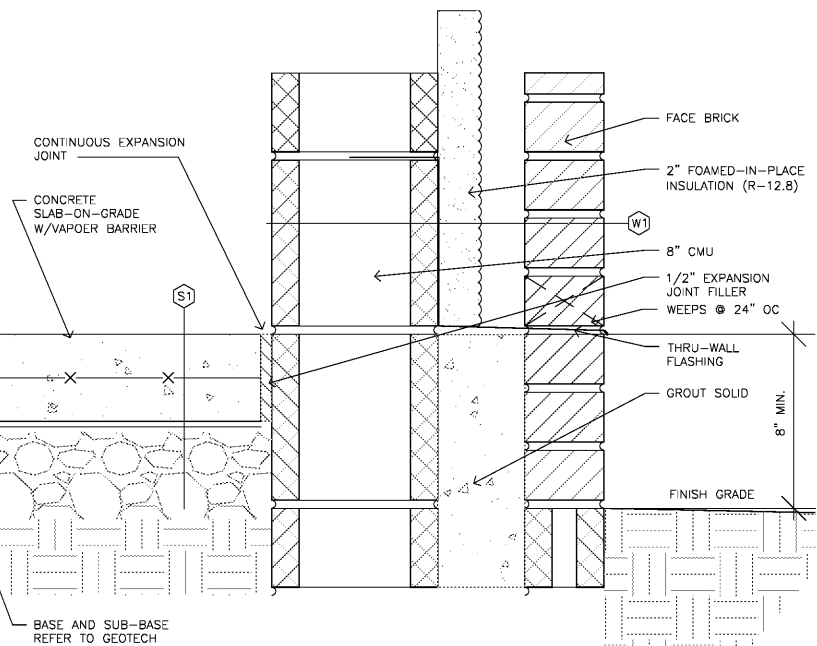
D4 OVERFLOW SCUPPER DETAIL
3" = 1'-0"



F1 METAL ROOF PANEL EAVE DETAIL
3" = 1'-0"



F3 EAVE AT PORTE COCHERE
3" = 1'-0"
(RAKE DETAIL SIMILAR)



F4 THRU-WALL FLASHING DETAIL
3" = 1'-0"

Order Plans @