

Owner:
Georgetown County
716 Prince Street
Georgetown, SC 29442

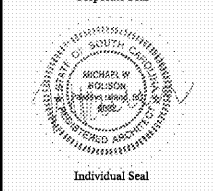
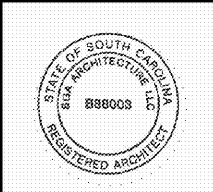
SGA ARCHITECTURE
ARCHITECTURE AND INTERIOR DESIGN
LANDSCAPE ARCHITECTURE
Pawleys Island / Charleston / GREENVILLE
8263 Ocean Hwy. / PO Box 1859
Fenwick Bluffs, SC 29555
Phone: 843.237.3421 / Fax: 843.237.1992
www.SGAarchitecture.com

Civil Consultant:
ETS
ENGINEERING AND TECHNICAL
SERVICES, INC.
CONSTRUCTION PROFESSIONALS
88 Denmark Lane
P.O. Box 250
Pawleys Island, SC 29555
Phone: 843.237.3421 ext. 4000 217 205

MEP Consultant:
Charleston Engineering
1219 Wappoo Creek Dr.
Charleston, SC 29412
843-752-4242
Mechanical, Plumbing & Electrical

Structural Consultant:
WEATHERLY STRUCTURAL ENGINEERS
1100 Park Ave. S. Ste 1000, SC 29405

Irrigation Consultant:



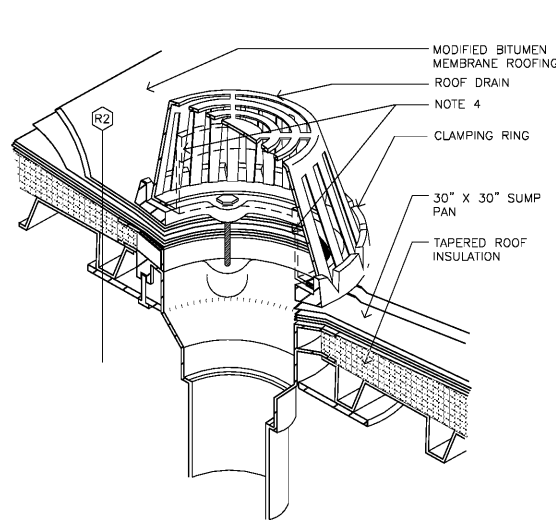
MEMBERS OF
THE AMERICAN INSTITUTE OF ARCHITECTS
COPYRIGHT 2018 ALL RIGHTS RESERVED
PRINTED OR ELECTRONIC DRAWINGS AND
DOCUMENTATION MAY NOT BE REPRODUCED
IN ANY FORM WITHOUT WRITTEN PERMISSION
FROM SGA ARCHITECTURE

Job Number: 17070
Date: 02/16/18
Drawn by: PW, MR
Checked by: MR

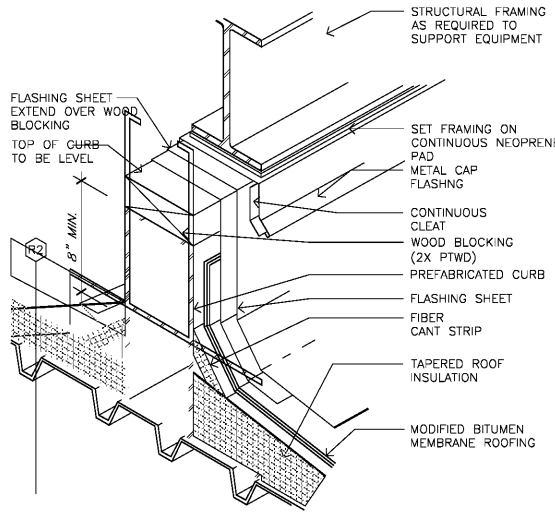
Notes:
BIDDING DOCUMENTS
Not for Construction

Revisions:

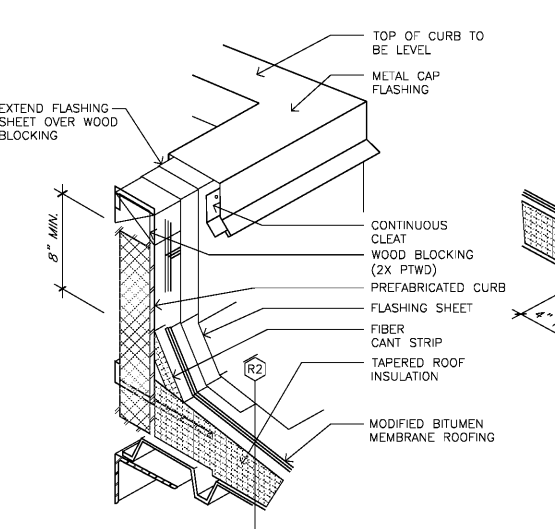
Roof
Details
A551
28 of 43
Bidding Documents



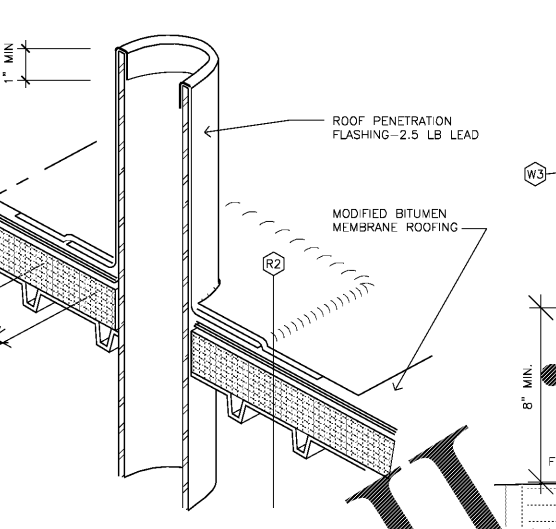
B1 ROOF & OVERFLOW DRAIN
3" = 1'-0"



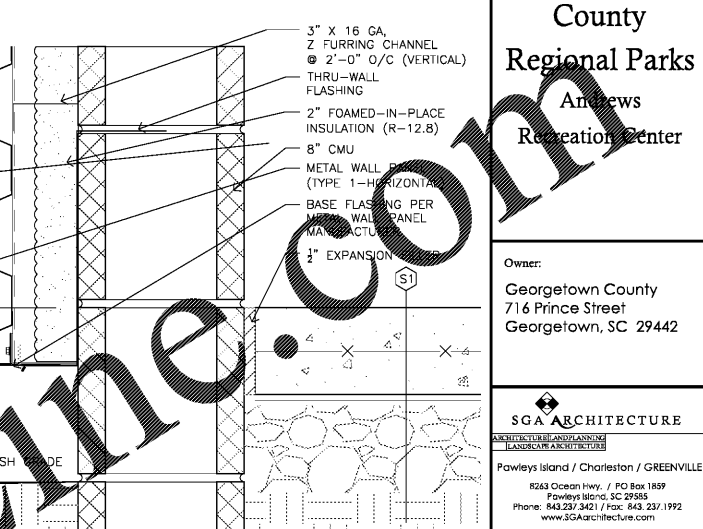
B2 EQUIPMENT SUPPORT
3" = 1'-0"



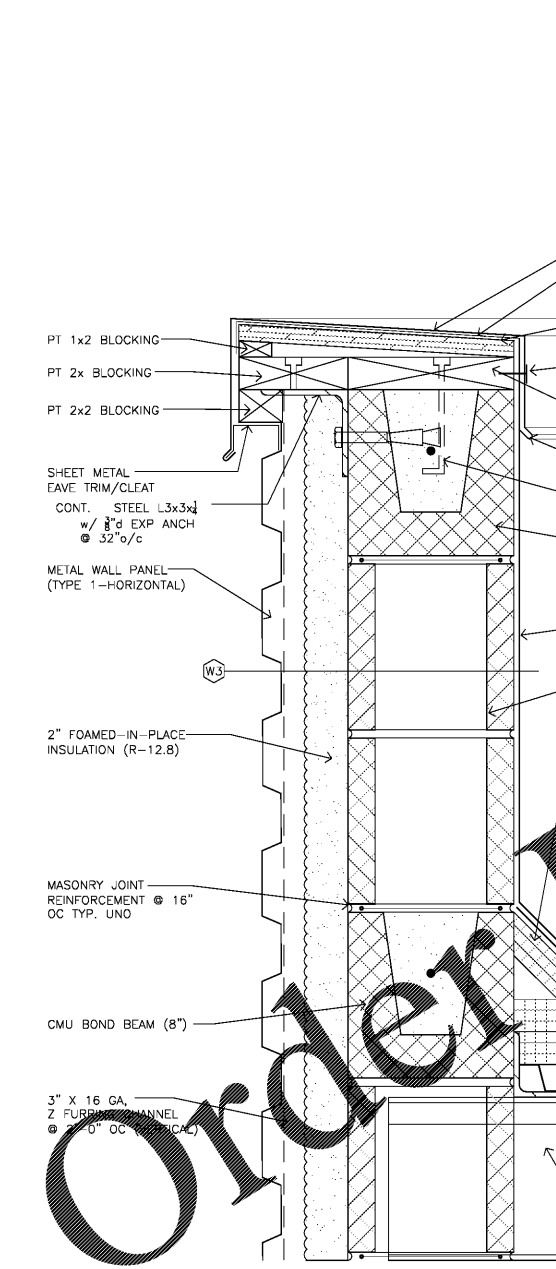
B3 EQUIPMENT CURB
3" = 1'-0"



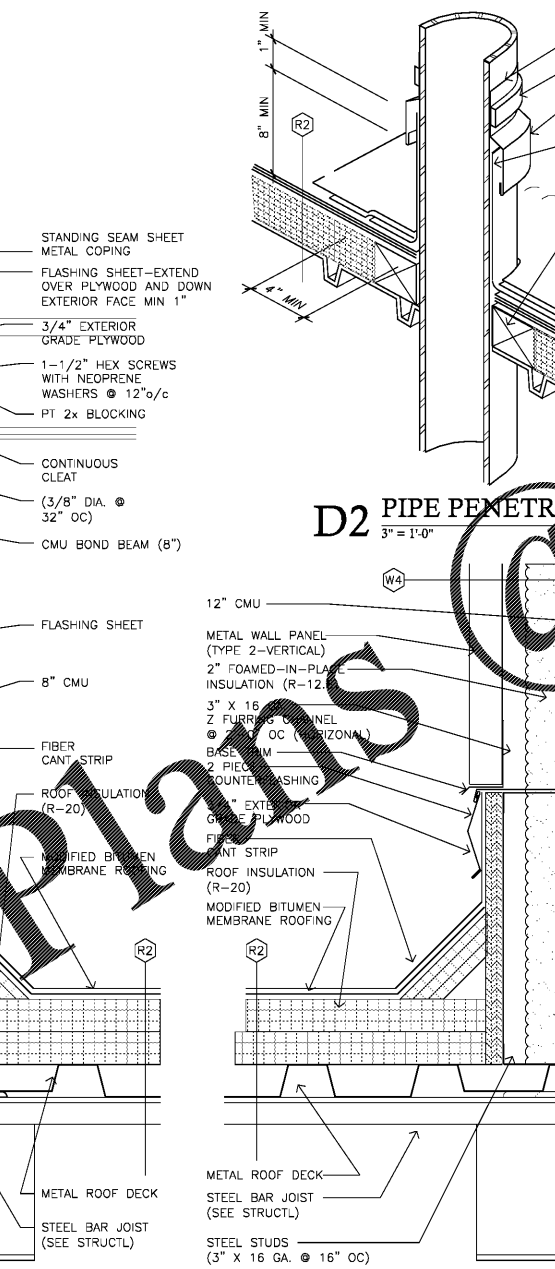
B4 VENT FLASHING
3" = 1'-0"



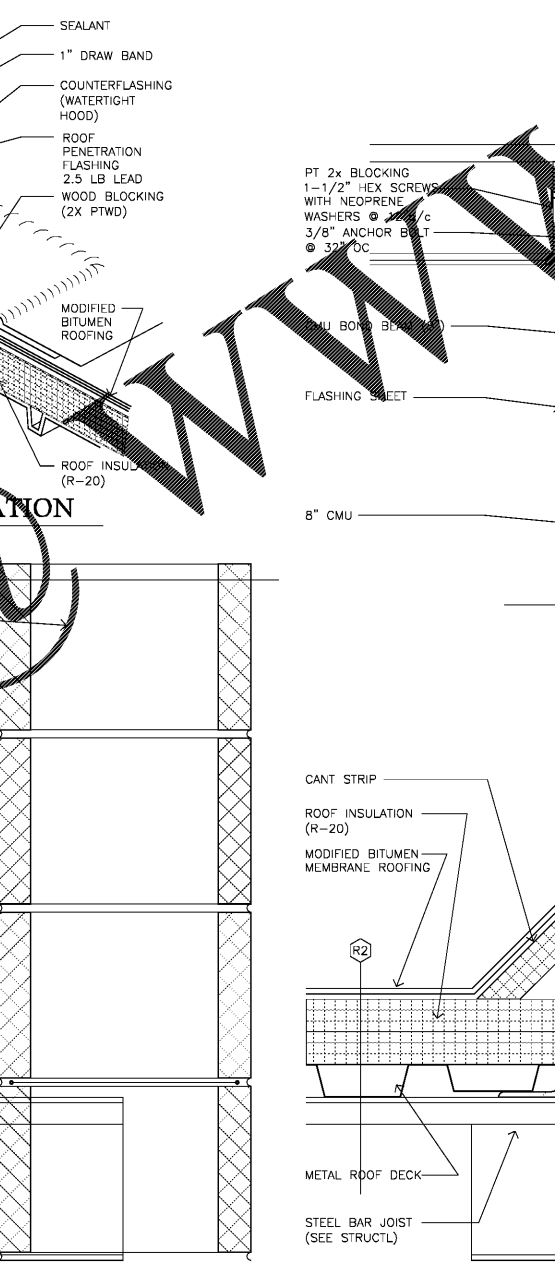
B5 WALL DETAIL
3" = 1'-0"



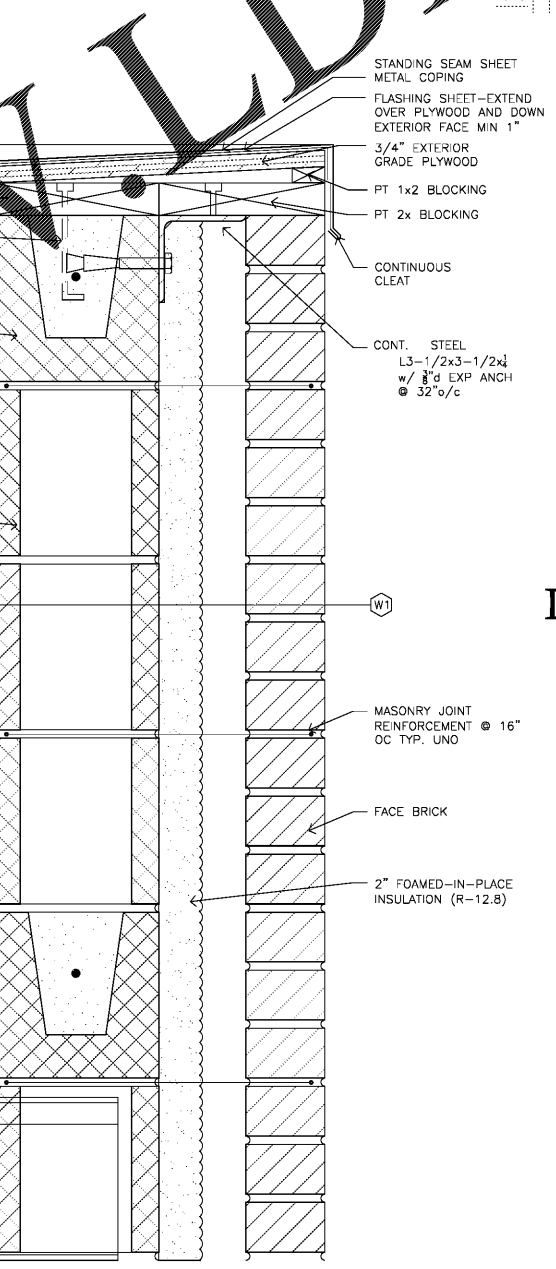
F1 PARAPET DETAIL
3" = 1'-0"



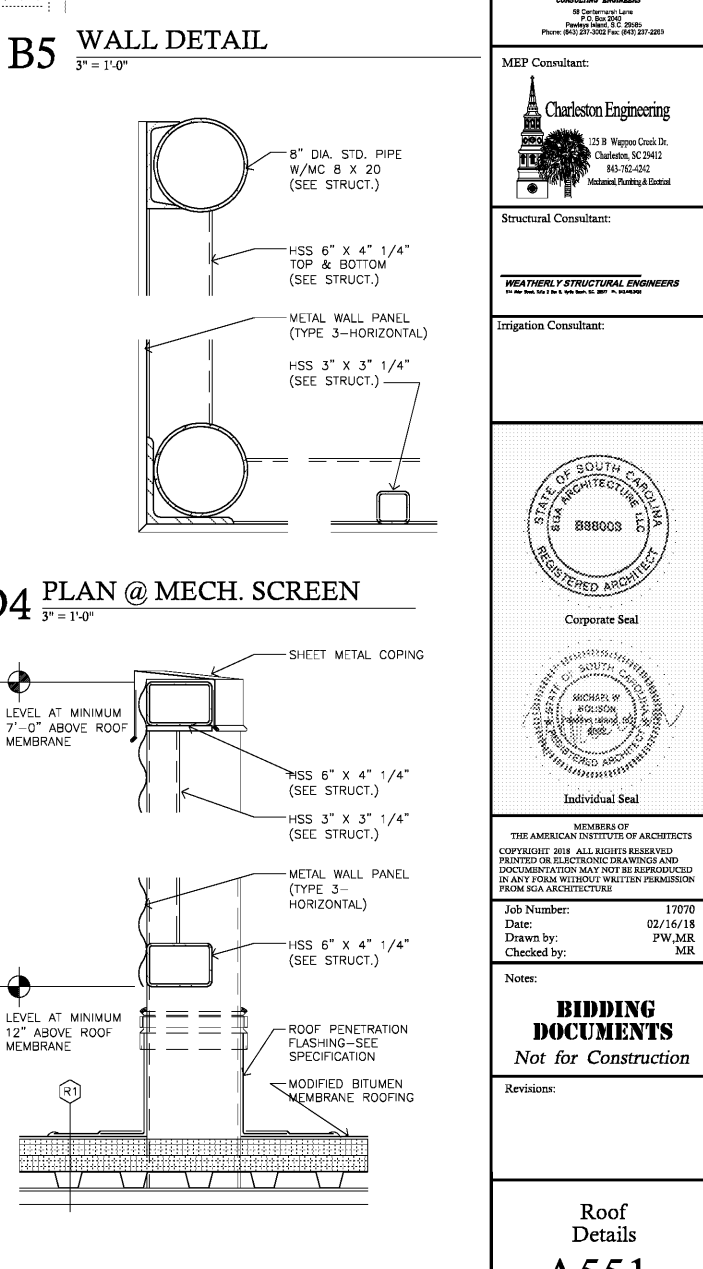
D2 PIPE PENETRATION
3" = 1'-0"



F2 ROOF TO WALL INTERSECTION
3" = 1'-0"



F3 PARAPET DETAIL
3" = 1'-0"



D4 SECTION AT MECH. SCREEN
3" = 1'-0"

Order Plans @

WWW.LDILLINE.COM