

Owner:
Georgetown County
716 Prince Street
Georgetown, SC 29442

SGA ARCHITECTURE
ARCHITECTURE AND PLANNING
LANDSCAPE ARCHITECTURE

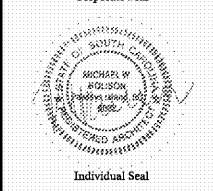
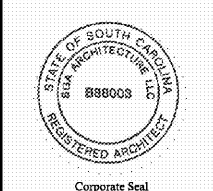
Pawleys Island / Charleston / GREENVILLE
8263 Ocean Hwy. / PO Box 1859
Fowling Island, SC 29555
Phone: 843.237.3421 / Fax: 843.237.1992
www.SGAarchitecture.com

Civil Consultant:
ETS
ENGINEERING AND TECHNICAL
SERVICES, INC.
CONSTRUCTION DIVISION
88 Centerville Lane
P.O. Box 2929
Pawleys Island, S.C. 29555
Phone: (843) 237-3421 Fax: (843) 237-2283

MEP Consultant:
Charleston Engineering
123 B Wappoo Creek Dr.
Charleston, SC 29412
843-752-4242
Mechanical, Plumbing & Electrical

Structural Consultant:
WEATHERLY STRUCTURAL ENGINEERS
2100 The South, Suite 100 & 100A, Charleston, SC 29405

Irrigation Consultant:



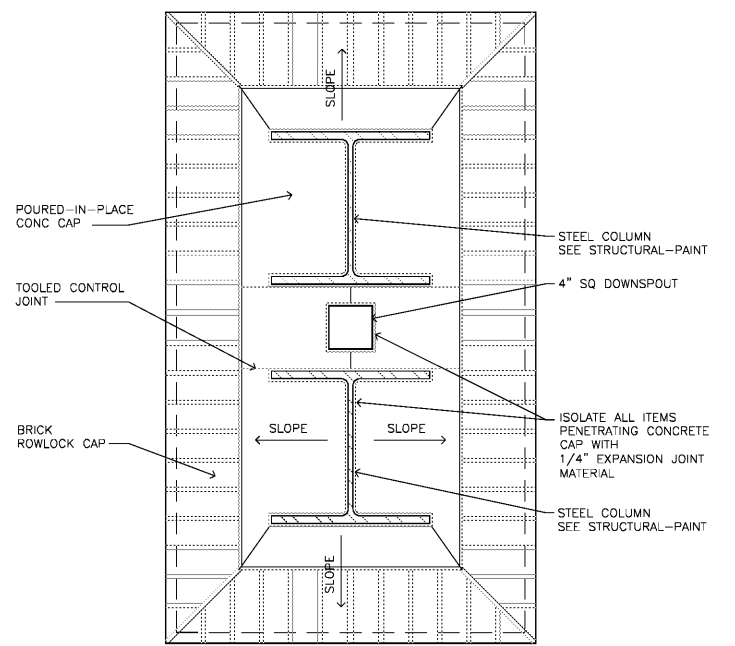
MEMBERS OF
THE AMERICAN INSTITUTE OF ARCHITECTS
COPYRIGHT 2018 ALL RIGHTS RESERVED
PRINTED OR ELECTRONIC DRAWINGS AND
DOCUMENTATION MAY NOT BE REPRODUCED
IN ANY FORM WITHOUT WRITTEN PERMISSION
FROM SGA ARCHITECTURE.

Job Number: 17070
Date: 02/16/18
Drawn by: PW,MR
Checked by: MR

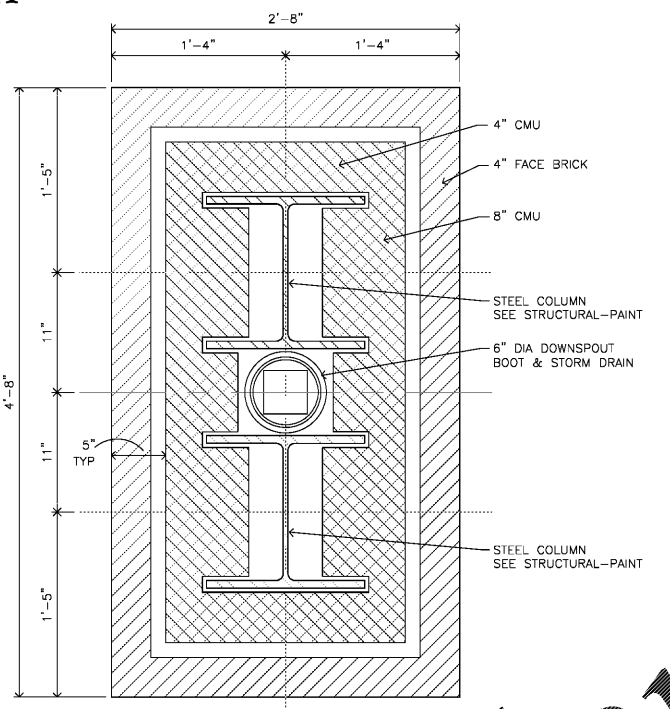
Notes:
BIDDING DOCUMENTS
Not for Construction

Revisions:

Porte Cochere
Details
A527
27 of 43
Bidding Documents

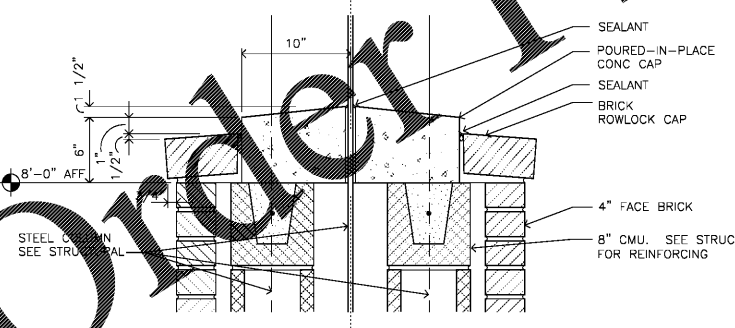


A1 PLAN AT MASONRY CAP

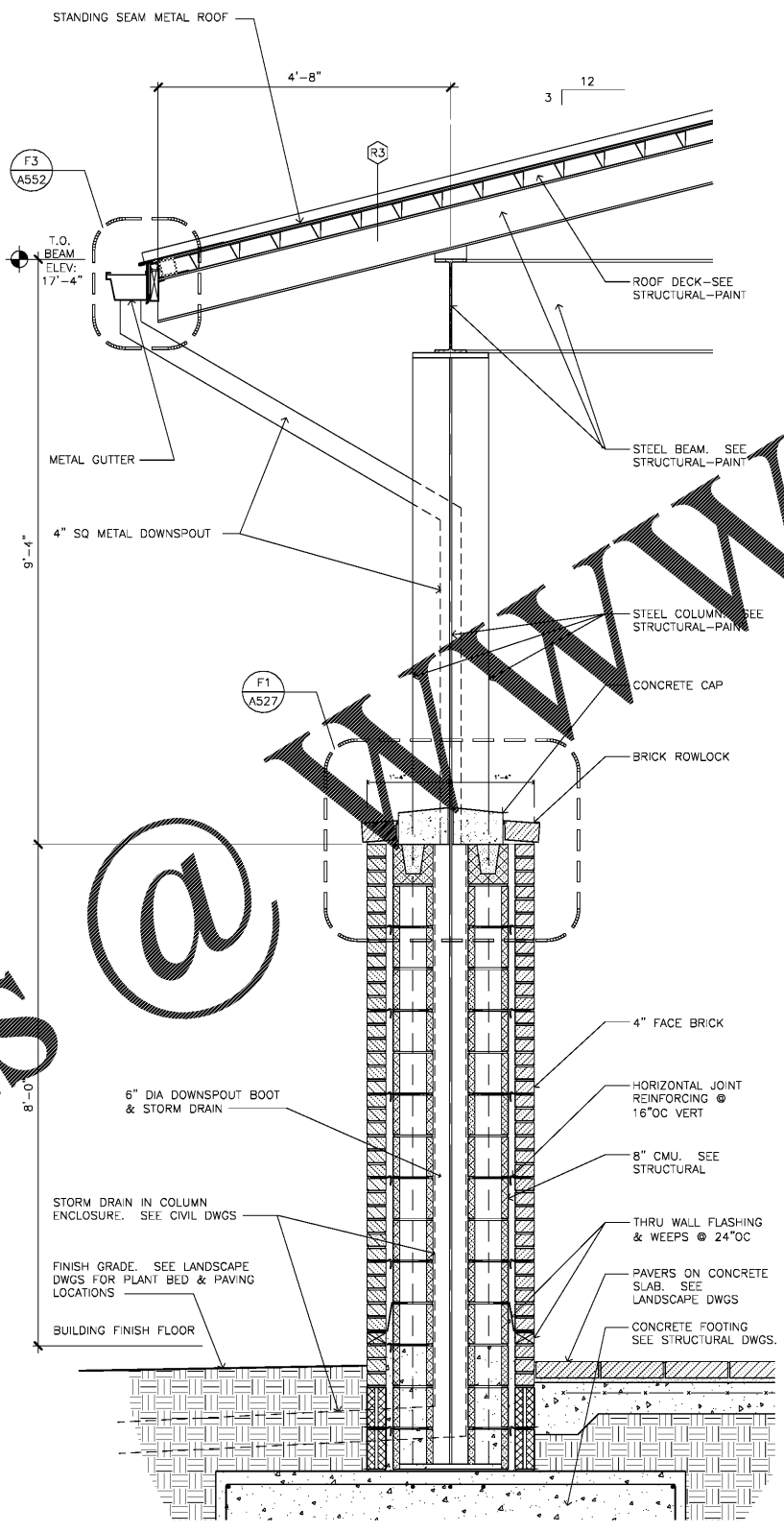


PLAN AT MASONRY ENCLOSURE

E1 COLUMN PLAN @ PORTE COCHERE
1 1/2" = 1'-0"



F1 COLUMN SECTION @ PORTE COCHERE
1 1/2" = 1'-0"



F3 COLUMN SECTION @ PORTE COCHERE
3/4" = 1'-0"

WWW.LDILine.com

Order Plans