

Owner:
Georgetown County
716 Prince Street
Georgetown, SC 29442

SGA ARCHITECTURE
ARCHITECTURE AND PLANNING
LANDSCAPE ARCHITECTURE

Pawleys Island / Charleston / GREENVILLE
8263 Ocean Hwy. / PO Box 1859
Fowling Island, SC 29555
Phone: 843.237.3421 / Fax: 843.237.1992
www.SGAarchitecture.com

Civil Consultant:
ETS
ENGINEERING AND TECHNICAL
SERVICES, INC.
CONSTRUCTION DIVISION
88 Centerville Lane
P.O. Box 2929
Pawleys Island, SC 29555
Phone: (843) 237-3421 Fax: (843) 237-2283

MEP Consultant:
Charleston Engineering
123 B Wappoo Creek Dr.
Charleston, SC 29412
843-752-4242
Mechanical, Plumbing & Electrical

Structural Consultant:
WEATHERLY STRUCTURAL ENGINEERS
200 The South, Suite 1 & 2, Charleston, SC 29401
704-204-0000

Irrigation Consultant:

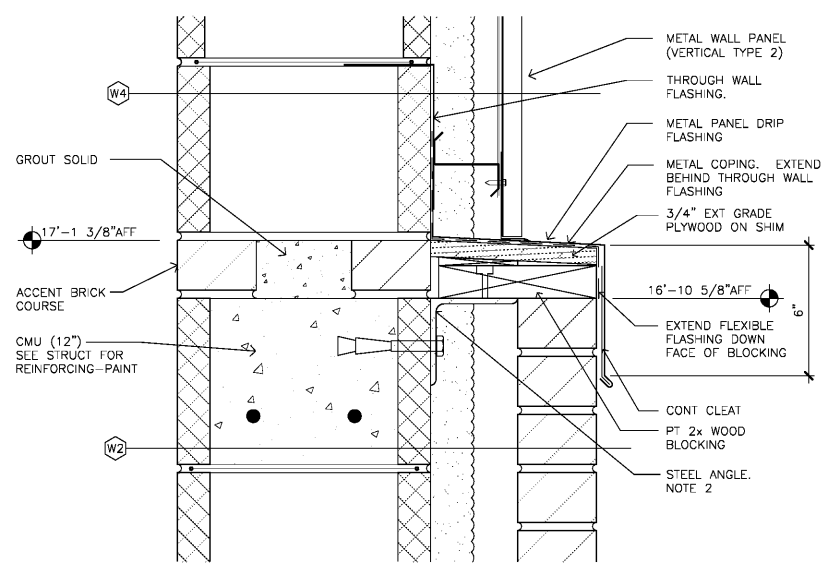
STATE OF SOUTH CAROLINA
REGISTERED ARCHITECT
838003
Corporate Seal

MEMBERS OF
THE AMERICAN INSTITUTE OF ARCHITECTS
COPYRIGHT 2018 ALL RIGHTS RESERVED
PRINTED OR ELECTRONIC DRAWINGS AND
DOCUMENTATION MAY NOT BE REPRODUCED
IN ANY FORM WITHOUT WRITTEN PERMISSION
FROM SGA ARCHITECTURE
Individual Seal

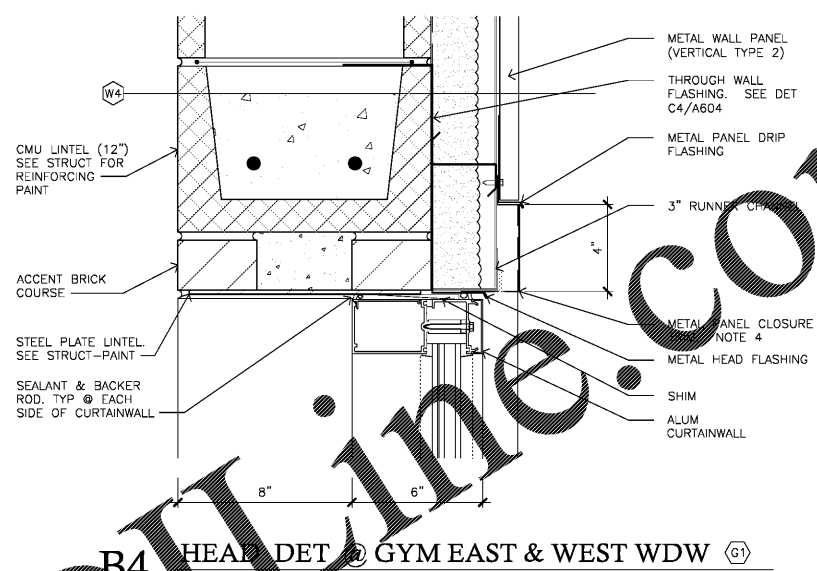
Job Number: 17070
Date: 02/16/18
Drawn by: PW, MR
Checked by: MR

Notes:
BIDDING DOCUMENTS
Not for Construction

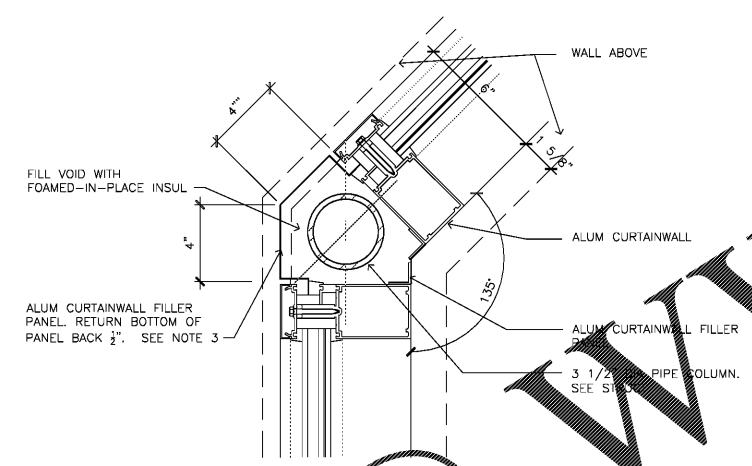
Revisions:
Miscellaneous
Details
A522
22 of 43
Bidding Documents



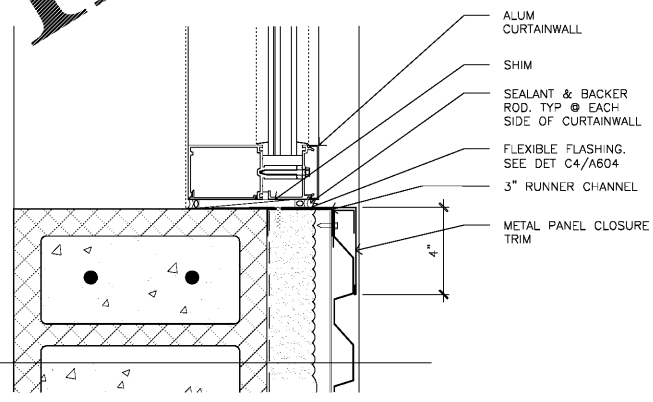
B3 GYM WEST WALL TRANSITION
3" = 1'-0"



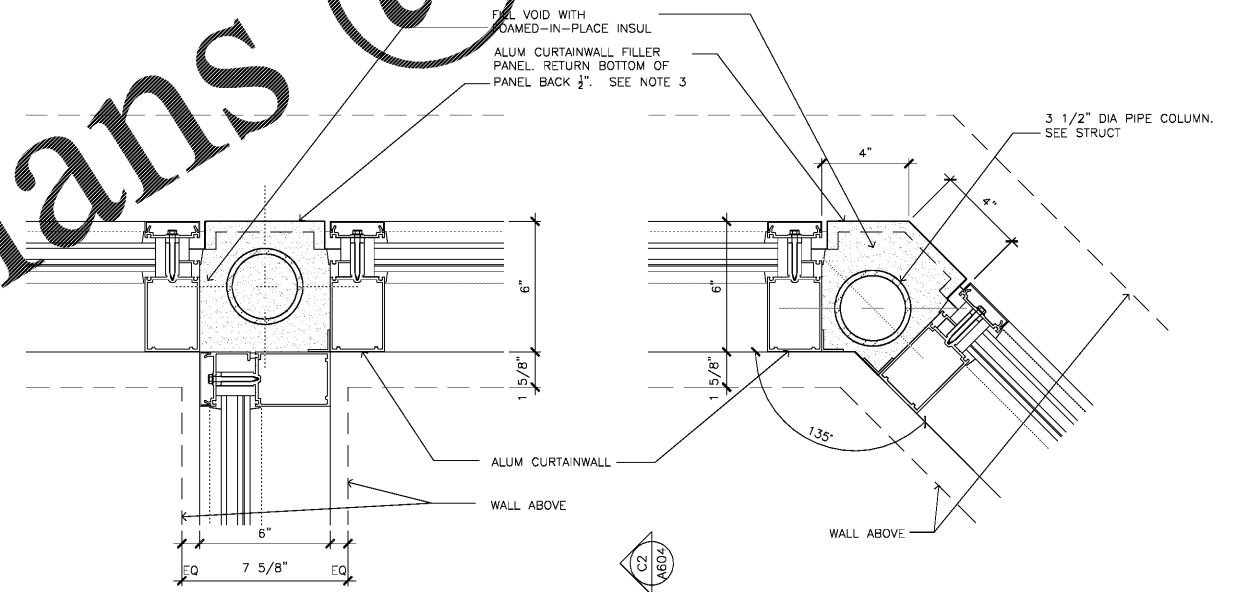
B4 HEAD DET @ GYM EAST & WEST WDW
3" = 1'-0"



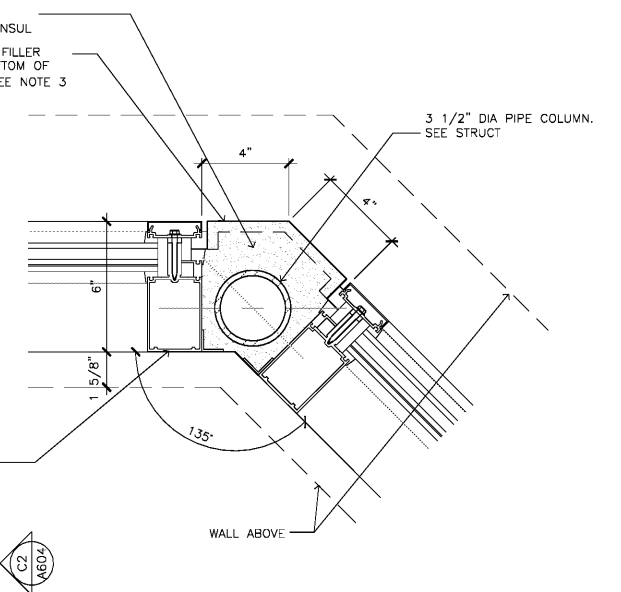
D2 JAMB DET @ WDWS
3" = 1'-0"



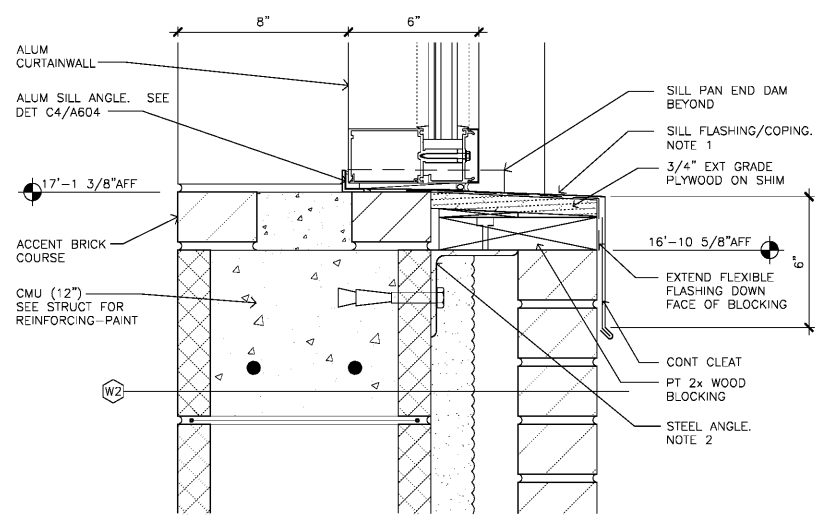
D4 JAMB DET @ GYM EAST & WEST WDW
3" = 1'-0"



F2 JAMB DET @ WDWS
3" = 1'-0"



F3 JAMB DET @ WDW
3" = 1'-0"



F4 SILL DET @ GYM WEST WDW
3" = 1'-0"

- NOTES
1. MATCH PROFILE OF WALL COPING @ DET B3/A523 & SEE DET C4/A604 FOR DETAILS OF SILL PAN.
 2. 3 1/2"x3 1/2"x1/4" STEEL ANGLE. EXPANSION BOLT TO MASONRY & BOLT TO BLOCKING @ 32"OC.
 3. BOTTOM OF PANEL TO RETURN BACK +1/2" (SIMILAR TO PANEL PROFILES @ MULLION) FOR INSTALLATION OF SEALANT & BACKER ROD.
 4. RETURN TRIM TO FACE OF MASONRY (BETWEEN HEAD FLASHING & RUNNER CHANNEL). ANCHOR TO CHANNEL WITH PREFINISHED FASTENERS TO MATCH WALL PANELS.

Order Plans @ WWW.LDIDLINE.COM