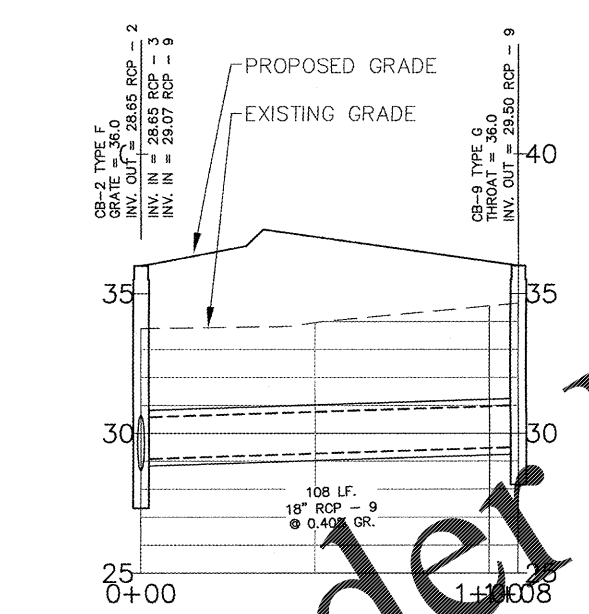
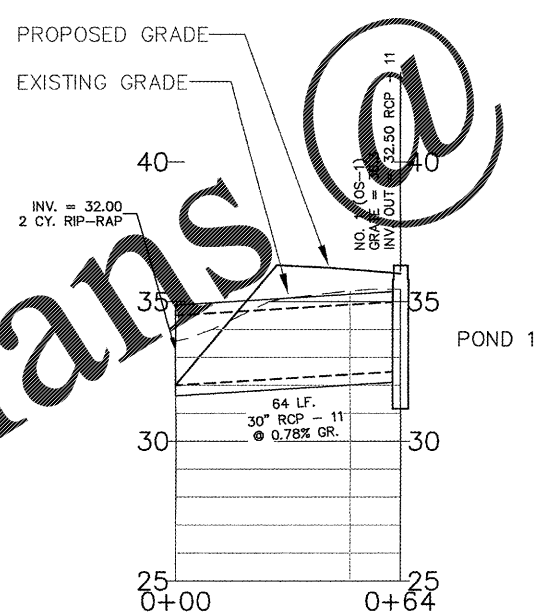


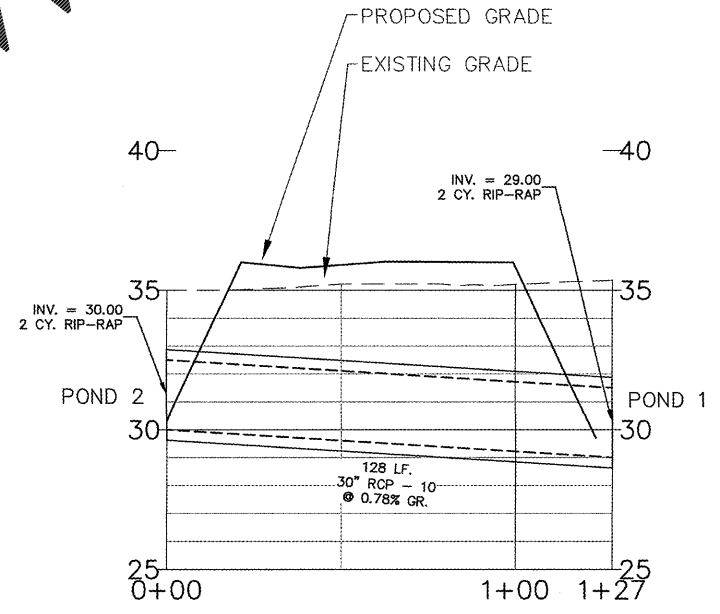
**PROPOSED STORMWATER LINE A - PROFILE**  
 SCALE: 1" = 40' HORIZ.  
 1" = 5' VERT.



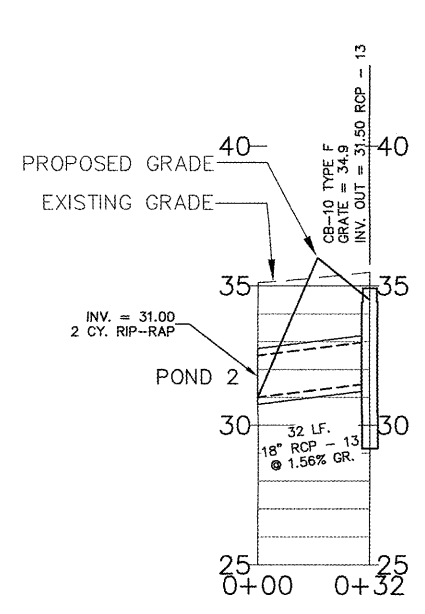
**PROPOSED STORMWATER LINE B - PROFILE**  
 SCALE: 1" = 40' HORIZ.  
 1" = 5' VERT.



**PROPOSED STORMWATER LINE C - PROFILE**  
 SCALE: 1" = 40' HORIZ.  
 1" = 5' VERT.



**PROPOSED STORMWATER LINE D - PROFILE**  
 SCALE: 1" = 40' HORIZ.  
 1" = 5' VERT.



**PROPOSED STORMWATER LINE E - PROFILE**  
 SCALE: 1" = 40' HORIZ.  
 1" = 5' VERT.

Georgetown  
 County  
 Regional Parks  
 Andrew Regional  
 Recreation Center

Owner:  
 Georgetown County  
 716 Prince Street  
 Georgetown, SC 29442

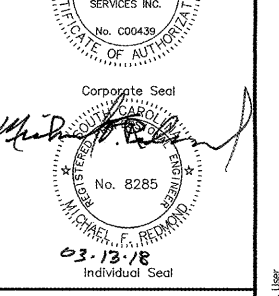
ARCHITECTURE  
 Pawleys Island / Charleston  
 245 Business Center Lane, P.O. Box 1859  
 Pawleys Island, SC 29585  
 Phone: 843.237.3421 / Fax: 843.237.1992  
 www.SGArchitecture.com

Civil Consultant:  
**ETS**  
 ENGINEERING AND TECHNICAL  
 SERVICES, INC.  
 CONSULTING ENGINEERS  
 58 Centermarsh Lane  
 P.O. Box 2040  
 Pawleys Island, SC 29585  
 Phone: (843) 237-3002 Fax: (843) 237-2269

MEP Consultant:  
 Charleston Engineering  
 125 S. Waggoner Creek Dr.  
 Charleston, SC 29412  
 945-103-4242  
 Mechanical, Plumbing & Electrical

Structural Consultant:

Irrigation Consultant:



MEMBERS OF  
 THE AMERICAN INSTITUTE OF ARCHITECTS  
 COPYRIGHT 2017 ALL RIGHTS RESERVED  
 PRINTED OR ELECTRONIC DRAWINGS AND  
 DOCUMENTATION MAY NOT BE REPRODUCED  
 IN ANY FORM WITHOUT WRITTEN PERMISSION  
 FROM SSA ARCHITECTURE

Job Number: 2017024  
 Date: LW  
 Drawn by: MFR  
 Checked by:

Revisions:

**STORMWATER  
 PROFILES**  
 C113

WWW.LDILINE.COM

Order Plans