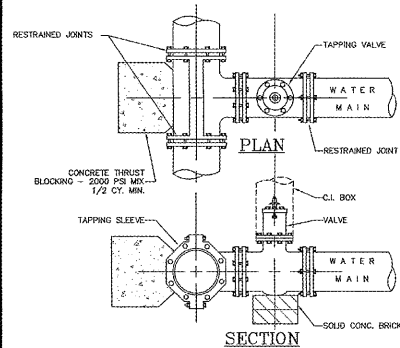
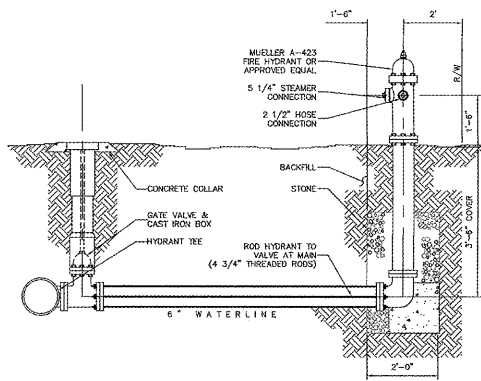


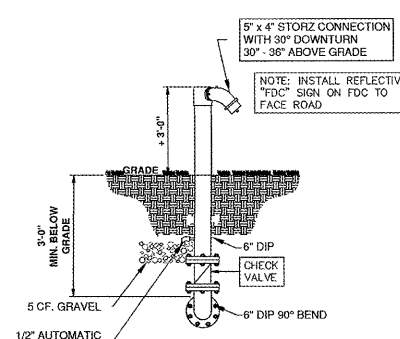
1 TYPICAL SINGLE SERVICE CONNECTION - PLAN
C111
NOTES: 1. REFER TO CITY OF ANDREWS REQUIREMENTS



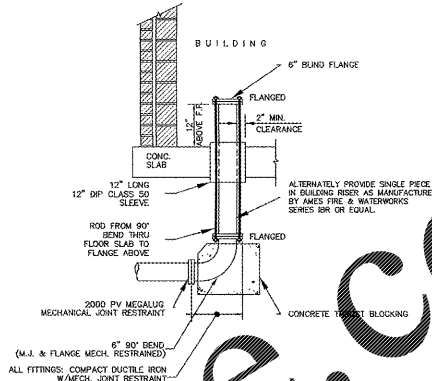
2 TAPPING SLEEVE AND TAPPING VALVE
C111
NOTES: 1. PROVIDE COUPON TO THE ENGINEER



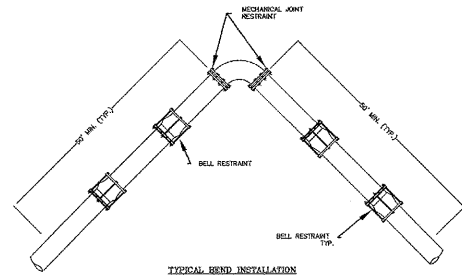
3 TYPICAL FIRE HYDRANT INSTALLATION - SECTION
C111
NOTE: HYDRANT SHALL BE STANDARD THREADS OF LOCAL FIRE DEPARTMENT.



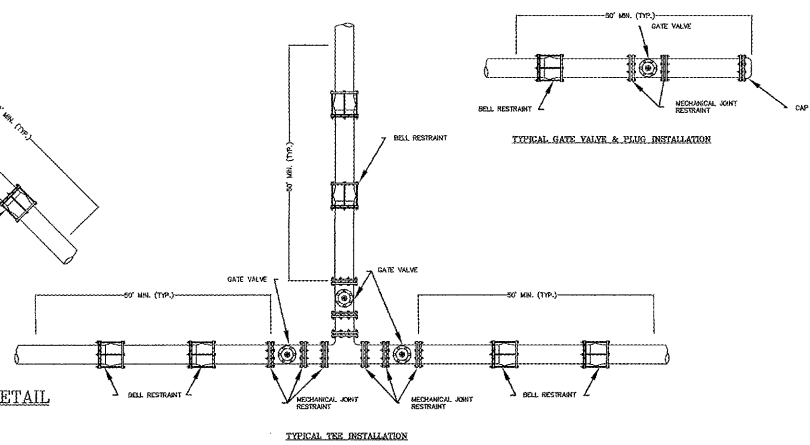
4 FIRE DEPARTMENT CONNECTION (FDC) - DETAIL
C111



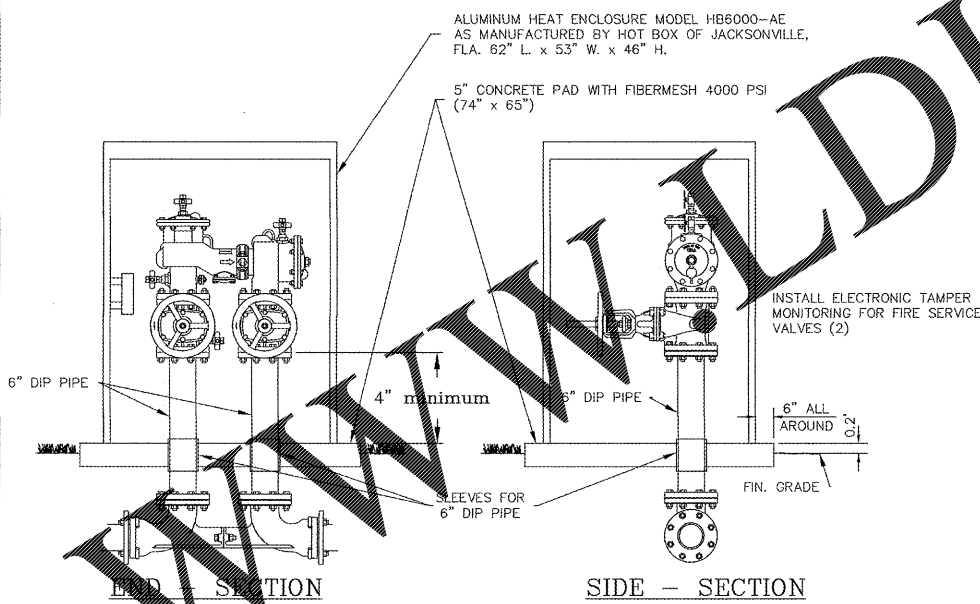
5 FIRE LINE - BENDING CONNECTION
C111
NOTES: 1. SITE CONTRACTOR TO INSTALL AND TEST FIRE LINE TO 10' BELOW FINISHED FLOOR. COORDINATE WITH MECHANICAL CONTRACTOR AND ARCHITECTURAL.
2. VERIFY CONECTOR TO OBSERVE INSTALLED UNIT PRIOR TO TESTING.
3. FOR LOCATION OF RISER ON FLOOR PLAN, SEE ARCHITECTURAL PLANS.



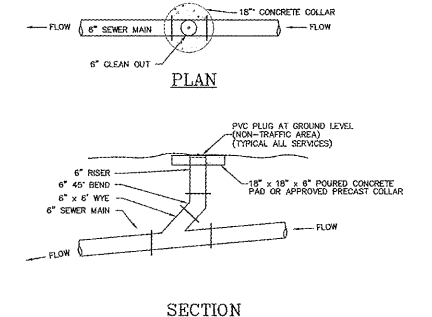
6 TYPICAL JOINT AND FITTING RESTRAINING DETAIL
C111



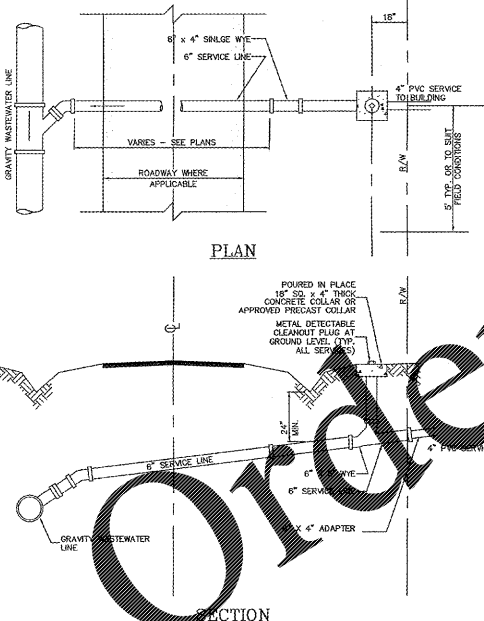
7 FEBCO MODEL 870V - 6\"/>



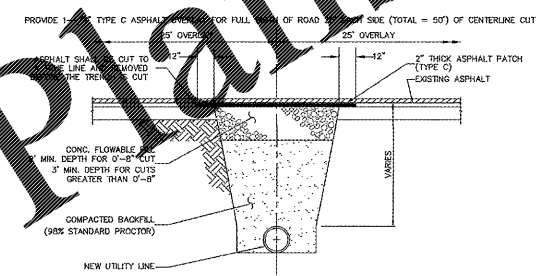
8 TRAFFIC BEARING CLEAN-OUT
C111



9 IN-LINE CLEANOUT - DETAIL
C111



10 TYPICAL SINGLE SERVICE LINE CONNECTION & CLEANOUT ASSEMBLY
C111



11 TYPICAL-SCDOT ASPHALT/FLOWABLE FILL ROAD REPAIRS - SECTION
C111

NOTES: 1. PROVIDE ASPHALT/FLOWABLE FILL REPAIRS ON SCDOT ROAD.
2. TRENCH SHALL BE BACKFILLED AND THOROUGHLY TAMPED WITH SUITABLE MATERIAL TO THE LEVEL OF THE FLOWABLE FILL.
3. REPAIRS BY THE CONTRACTOR SHALL BE CONDUCTED WITH THE LEAST INTERFERENCE TO TRAFFIC.
4. WHERE EXISTING ASPHALT IS INSUFFICIENT THICKNESS TO DEVELOP A TIGHT SEAL WITH THE NEW SURFACE, OVERLAP EXISTING SURFACE AS PER SPECIFICATIONS.

Georgetown County Regional Parks
Andrew Regional Recreation Center

Owner:
Georgetown County
716 Prince Street
Georgetown, SC 29442

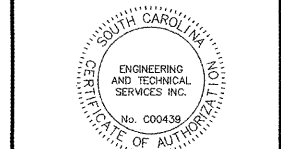
A ARCHITECTURE
Pawleys Island / Charleston
245 Business Center Lane, P.O. Box 1859
Pawleys Island, SC 29585
Phone: 843.237.3421 / Fax: 843. 237.1992
www.SGArchitecture.com

Civil Consultant:
ETS
ENGINEERING AND TECHNICAL SERVICES, INC.
CONSULTING ENGINEERS
58 Centermarsh Lane
P.O. Box 2840
Pawleys Island, S.C. 29585
Phone: (843) 237-3002 Fax: (843) 237-2869

MEP Consultant:
Charleston Engineering
125 B Wappes Creek Dr.
Charleston, SC 29412
803-793-0302
Mechanical, Plumbing & Electrical

Structural Consultant:

Irrigation Consultant:



Corporate Seal
Michael F. Remington
No. 8285
03/13/18
Individual Seal

MEMBERS OF THE AMERICAN INSTITUTE OF ARCHITECTS
COPYRIGHT 2017 ALL RIGHTS RESERVED
PRINTED OR ELECTRONIC DRAWINGS AND DOCUMENTATION MAY NOT BE REPRODUCED IN ANY FORM WITHOUT WRITTEN PERMISSION FROM SGA ARCHITECTURE

Job Number: 2017024
Date:
Drawn by: LW
Checked by: MFR

Notes:
Revisions:

WATER, WASTEWATER AND FIRE LINE DETAILS
C111

Order Plans @

WWW.DLINE.COM