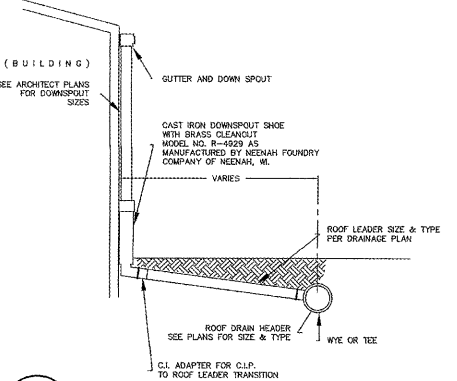
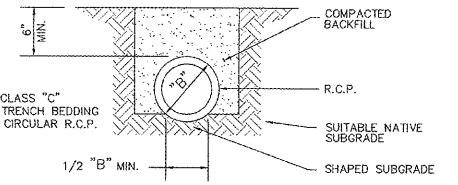


1 TYPICAL PRECAST DROP INLET CATCH BASIN (TYPE "F")



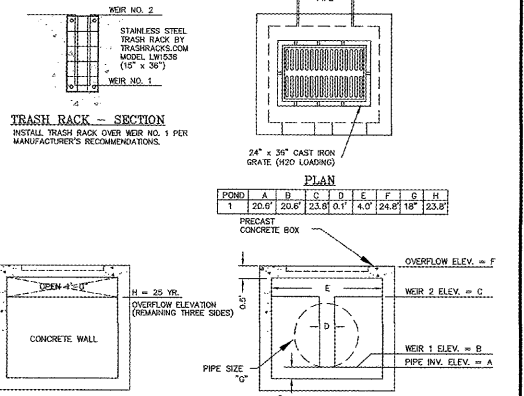
2 DOWNSPOUT SHOE - DETAIL

NTS
 1. SUBSURFACE ROOF DRAINAGE SHALL BE INSTALLED ONLY AFTER ALL OTHER WORK HAS BEEN COMPLETED IN THE SURROUNDING AREA. ANY CRUSHED OR DEFLECTED PIPE SECTIONS SHALL BE REMOVED AND CORRECTED AT THE CONTRACTOR'S DISPOSE.
 2. THE CONTRACTOR SHALL COORDINATE WITH THE ROOFING GUTTER CONTRACTOR FOR LOCATING AND SCHEDULING THE INSTALLATION OF THIS WORK.

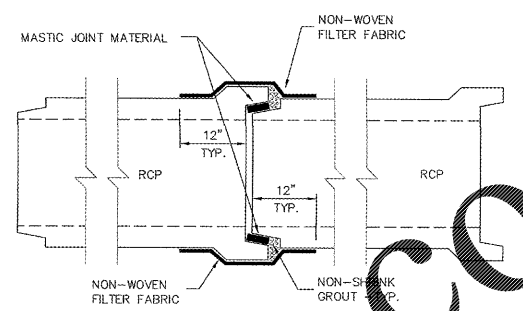


3 TYPICAL RCP BEDDING - SECTION

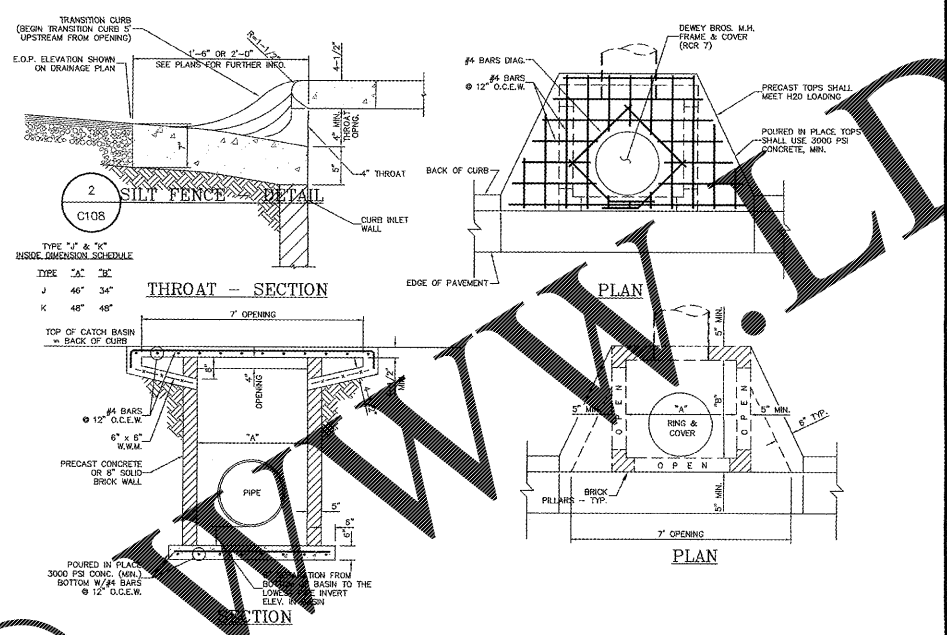
NOTE:
 R.C.P. TO BE BEDDED IN NATIVE SOIL FOUNDATION SHAPED TO FIT THE LOWER PART OF THE PIPE EXTERIOR WITH REASONABLE CLOSENESS FOR A WIDTH OF AT LEAST 1/2 THE OUTSIDE DIAMETER OF THE CIRCULAR PIPE. SUBGRADE TO BE EXCAVATED OR OVER EXCAVATED, IF NECESSARY, SO A UNIFORM FOUNDATION FREE OF PROTRUDING ROCKS IS PROVIDED. IF NATIVE MATERIAL IS DETERMINED TO BE UNSUITABLE AS BEDDING, ADDITION OF SELECT MATERIAL TO THE CLASS "C"



4 OUTLET STRUCTURE NO. 1 - DETAIL

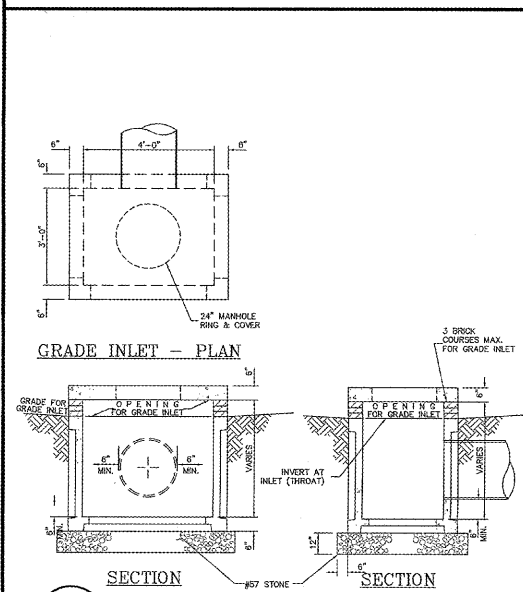


5 TYPICAL RCP STORMWATER PIPE JOINT WRAP - DETAIL



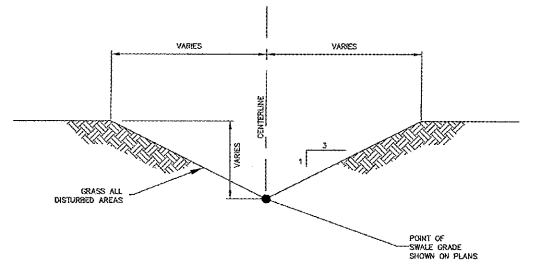
8 CURB INLET TYPE "J" & "K"

NOTE: THE CONTRACTOR SHALL BE RESPONSIBLE FOR MATCHING THE TOP OF CURB INLET TO THE TOP OF THE CURB.



6 TYPICAL PRECAST GRADE INLET CATCH BASIN (TYPE "G")

NOTE: ELEVATIONS SHOWN ON THE DRAINAGE PLAN AS "THROAT"



7 TYPICAL TYPE "2" GRASSED SWALE - SECTION

Georgetown County Regional Parks
 Andrews Regional Recreation Center
 Owner:
 Georgetown County
 716 Prince Street
 Georgetown, SC 29442

ARCHITECTURE
 Pawleys Island / Charleston
 245 Business Center Lane / PO Box 1859
 Pawleys Island, SC 29585
 Phone: 843.237.3421 / Fax: 843. 237.1992
 www.SGArchitecture.com

Civil Consultant:
ETS
 ENGINEERING AND TECHNICAL SERVICES, INC.
 CONSULTING ENGINEERS
 58 Centermarsh Lane
 P.O. Box 2040
 Pawleys Island, S.C. 29585
 Phone: (843) 237-3002 Fax: (843) 237-2269

MEP Consultant:
Charleston Engineering
 2518 Weynon Creek Dr.
 Charleston, SC 29412
 803-362-0402
 Mechanical, Heating & Electrical

Structural Consultant:

Irrigation Consultant:

ENGINEERING AND TECHNICAL SERVICES, INC.
 No. C00439
 STATE OF SOUTH CAROLINA
 PROFESSIONAL ENGINEER

Corporate Seal
 Michael F. Remardo
 No. 8285
 03.13.18
 Individual Seal

MEMBERS OF THE AMERICAN INSTITUTE OF ARCHITECTS
 COPYRIGHT 2017 ALL RIGHTS RESERVED
 PRINTED OR ELECTRONIC DRAWINGS AND DOCUMENTATION MAY NOT BE REPRODUCED IN ANY FORM WITHOUT WRITTEN PERMISSION FROM SGA ARCHITECTURE

Job Number: 2017024
 Date:
 Drawn by: LW
 Checked by: MFR

Notes:

Revisions:

DRAINAGE DETAILS
 C110

Order Plans