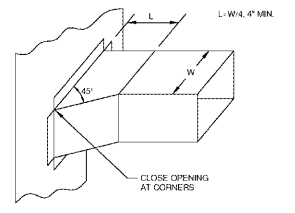
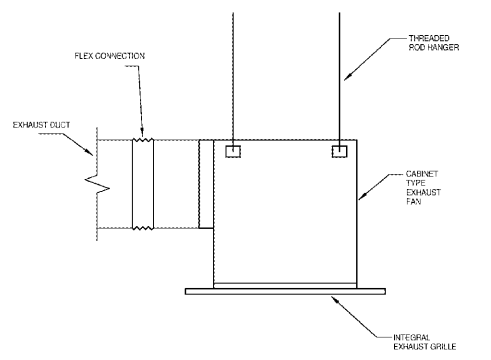


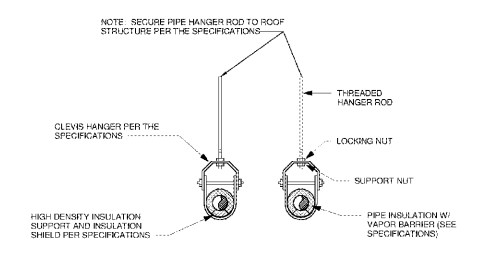
1 Diffuser/Grille Connection Detail
No Scale



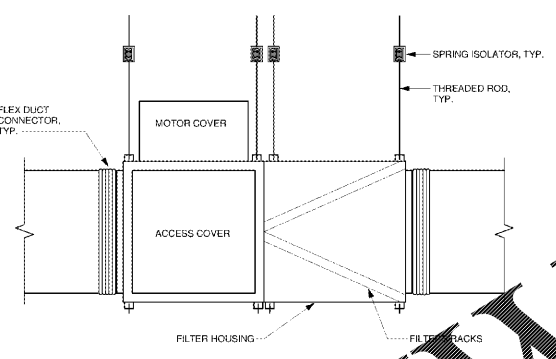
2 Rectangular Branch Duct Take-off Detail
No Scale



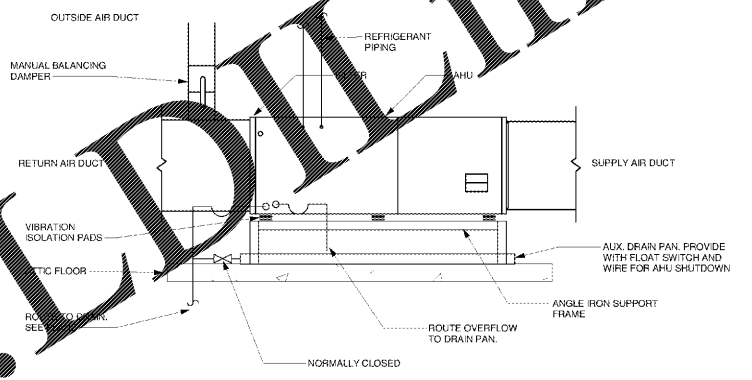
3 Ceiling Exhaust Fan Detail
No Scale



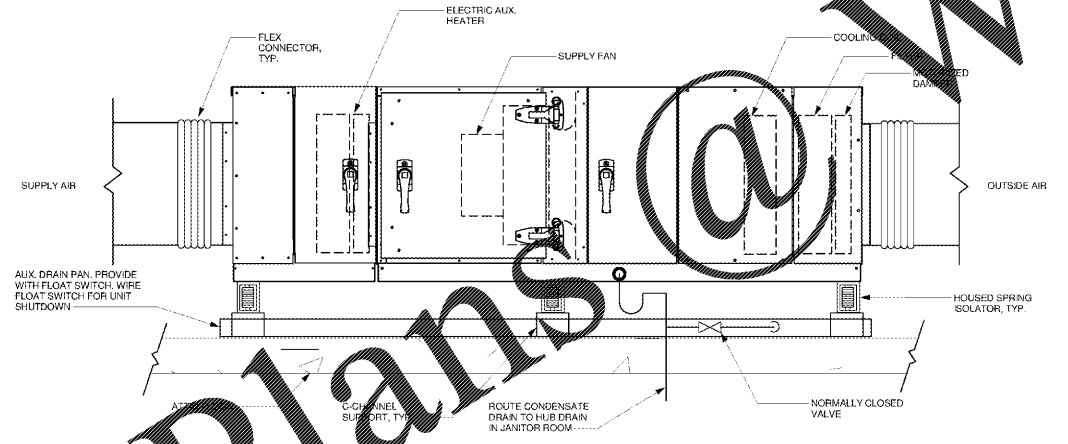
4 Pipe Hanger Supports - Clevis Type
No Scale



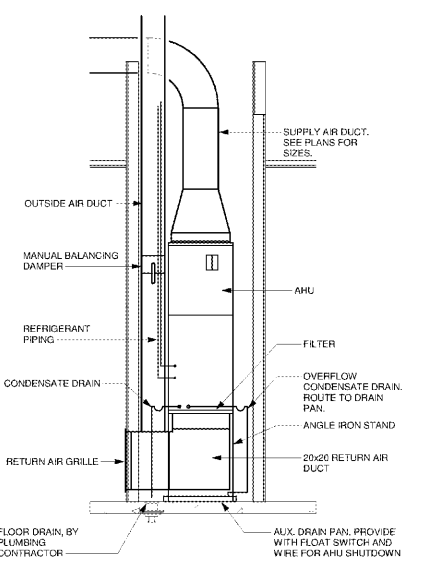
5 In-Line Centrifugal Fan with Filter Housing
No Scale



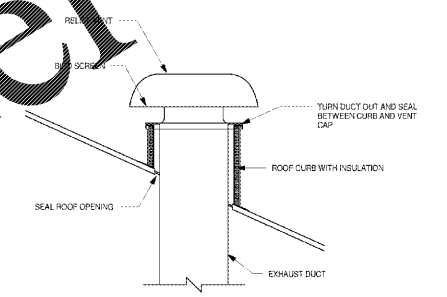
6 Horizontal VRV AHU Detail
3/4" = 1'-0"



7 Horizontal OAU Air Handler
No Scale



8 Vertical VRV AHU Detail
No Scale



9 Exhaust Hood Detail
1/8" = 1'-0"

ALL DRAWINGS, SPECIFICATIONS AND NOTES ARE THE PROPERTY OF DANIELS 1890 EXTENSION FACILITY CONSTRUCTION. NO PART OF THIS DOCUMENT IS TO BE REPRODUCED OR TRANSMITTED IN ANY FORM OR BY ANY MEANS, ELECTRONIC OR MECHANICAL, INCLUDING PHOTOCOPYING, RECORDING, OR BY ANY INFORMATION STORAGE AND RETRIEVAL SYSTEM, WITHOUT THE WRITTEN PERMISSION OF DANIELS 1890 EXTENSION FACILITY CONSTRUCTION. ANY UNAUTHORIZED USE OF THIS DOCUMENT IS STRICTLY PROHIBITED. DANIELS 1890 EXTENSION FACILITY CONSTRUCTION, 116 Camp Daniels Road, Ellenton, SC 29527.

Order Plans @ WWW.LDOnline.com

mc millan | parsons | smith
 architects
 atlanta charlotte columbus
 p.o. box 8022 greenville, sc 29602-8022
 864.242.2034
 www.millanparsonsmith.com



SC STATE UNIVERSITY
 CAMP HARRY G. DANIELS 1890 EXTENSION
 FACILITY CONSTRUCTION
 Agency Review ID: H24-9649-CA
 116 Camp Daniels Road, Ellenton, SC

SHEET ISSUE NO.	DATE	DESCRIPTION	BY

BID SET 09/15/2017
 PROJECT ENGINEER: SCS
 DESIGNER: SCS
 SHEET TITLE: HVAC Details
 SHEET NO. PROJ. NO. 015315.00
MO.02