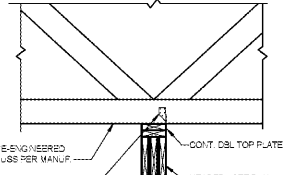
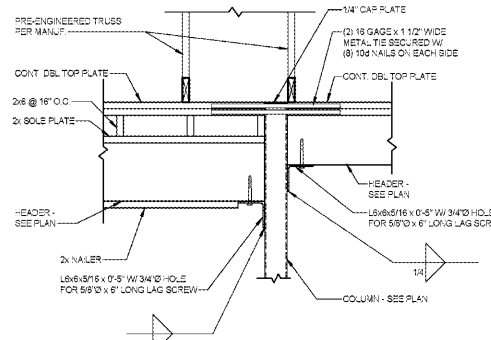


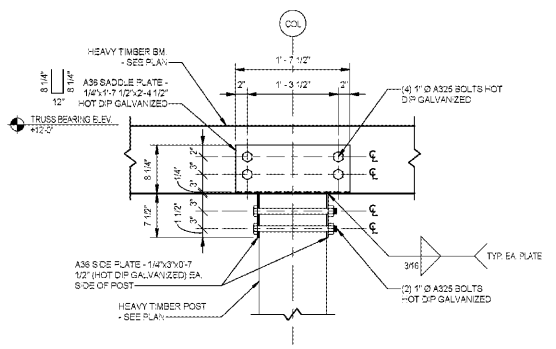
1 SECTION
S4.02 NTS



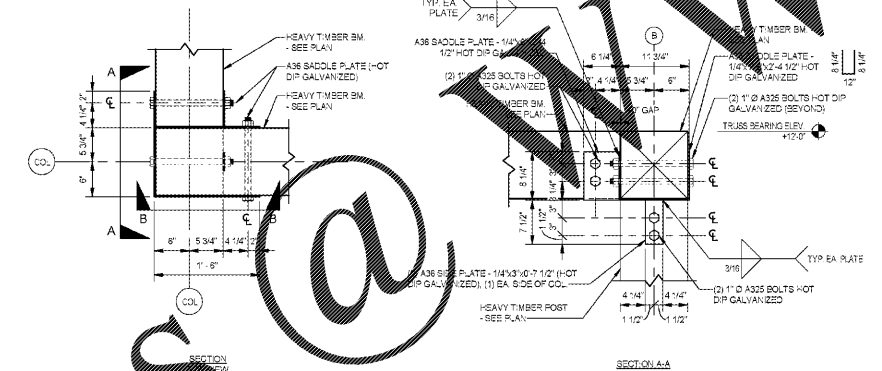
2 SECTION
S4.02 NTS



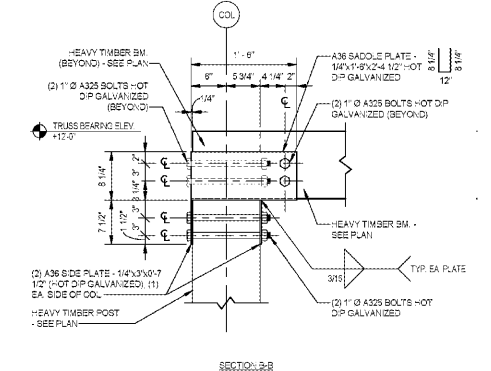
3 SECTION
S4.02 NTS



A SADDLE PLATE #1 DETAIL
S4.02 NTS



B SADDLE PLATE #2 DETAIL
S4.02 NTS



C SADDLE PLATE #3 DETAIL
S4.02 NTS

ALL DIMENSIONS, SPECIFICATIONS AND NOTES ARE THE PROPERTY OF FULLER MC MILLAN PARTNERSHIP. THE USER OF THIS DOCUMENT AGREES TO HOLD FULLER MC MILLAN PARTNERSHIP HARMLESS FROM AND AGAINST ALL LIABILITY, INCLUDING REASONABLE ATTORNEY'S FEES, FOR ANY AND ALL DAMAGES, LOSSES AND EXPENSES, INCLUDING REASONABLE ATTORNEY'S FEES, THAT MAY BE INCURRED BY THE USER OF THIS DOCUMENT. THE USER OF THIS DOCUMENT AGREES TO HOLD FULLER MC MILLAN PARTNERSHIP HARMLESS FROM AND AGAINST ALL LIABILITY, INCLUDING REASONABLE ATTORNEY'S FEES, FOR ANY AND ALL DAMAGES, LOSSES AND EXPENSES, INCLUDING REASONABLE ATTORNEY'S FEES, THAT MAY BE INCURRED BY THE USER OF THIS DOCUMENT.

Order Plans @ www.LDILine.com

FULLER mc millan partners
 STRUCTURAL ARCHITECTURE
 116 Camp Daniels Road, Ellenton, SC 29540
 P: 803.426.3900 F: 803.426.3977
 www.fullerpartnership.com

1890 EXTENSION SC STATE UNIVERSITY
CAMP HARRY G. DANIELS 1890 EXTENSION
FACILITY CONSTRUCTION
 Agency Review ID: H24-9649-CA
 116 Camp Daniels Road, Ellenton, SC

SHEET ISSUE:		DESCRIPTION		BY
NO.	DATE			

PROJECT IN CHARGE:	ARCHITECT:
PROJECT ENGINEER:	DATE:
DRAWN BY:	

SHEET TITLE:
SECTIONS AND DETAILS

SHEET NO.	PROJ. NO.
S4.02	13140.00